



OUR GLOBAL  
COMPETENCE  
CENTRES

 APOLLO DISPLAY  
TECHNOLOGIES



 DISTEC



 DISPLAY  
TECHNOLOGY



# Datasheet

## iBASE

**ET976**

**COM Express™ BASIC Module with AMD® Ryzen® V1000/R1000 Embedded Processor**

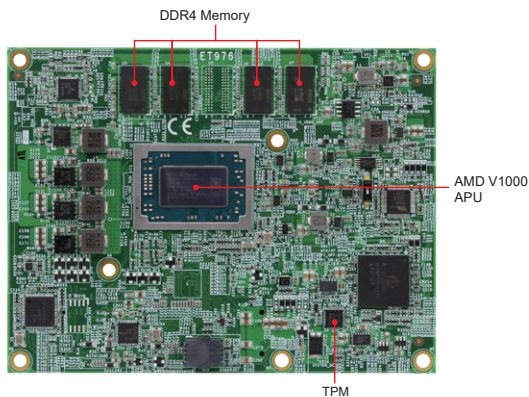


---

The information contained in this document has been carefully researched and is, to the best of our knowledge, accurate. However, we assume no liability for any product failures or damages, immediate or consequential, resulting from the use of the information provided herein. Our products are not intended for use in systems in which failures of product could result in personal injury. All trademarks mentioned herein are property of their respective owners. All specifications are subject to change without notice.

---

**NEW**



## Features

- Onboard AMD Ryzen™ Embedded V1000 processor
- Onboard DDR4 memory, Max. 8GB
- Supports 3x independent displays, HDMI/DVI/DisplayPort & LVDS or eDP via carrier board
- 4x USB 3.1, 8x USB 2.0, 2x SATA III
- Supports TPM (2.0)

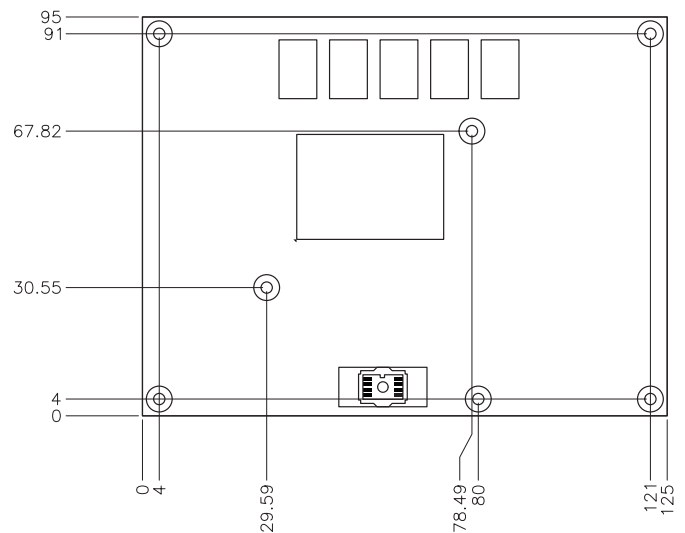
## Specifications

CPU	Onboard AMD Ryzen™ Embedded V1000
PCH	N/A
Memory Types	Onboard Memory, DDR4, Max. 8GB
BIOS	AMI
Watchdog Timer	256 levels
H/W Monitor	Yes
Storage Device Interface	N/A
Expansion slots	1x PEG(x8) 8x PCI-E(x1)
Graphics Controller	AMD Radeon™ Vega GPU integrated
Video Output	2x DDI 1x LVDS or 1x eDP (By option)
Ethernet	Intel® I210IT PCI-E Gigabit LAN
I/O Chip	Fintek F81804U-I
Serial Port	2x UART (Tx/Rx only)
USB 2.0	8x USB 2.0 via carrier board
USB 3.0/ 3.1	4x USB 3.1 via carrier board
Serial ATA	2x SATA III via carrier board
Audio	AMD Ryzen™ built-in HD audio controller
TPM	TPM (2.0)
Others	Digital I/O (4in/4-out)
Dimensions (L X W)	125mm x 95mm
Power Consumption	TBD
Operating Temperature	0°C~60°C (32°F~140°F)
Storage Temperature	-20°C~80°C (-4°F~176°F)
Relative Humidity	90% (non-condensing @60)

## Ordering Information

ET976-1202-4G	COM Express (Type 6) CPU Module with AMD Ryzen™ V1202B DC APU (3.2GHz), eDP, 4GB DDR4 memory on board
ET976-1605LV-4G	COM Express (Type 6) CPU Module with AMD Ryzen™ V1605B QC APU (3.6GHz), LVDS, 4GB DDR4 memory on board
ET976-1807-4G	COM Express (Type 6) CPU Module with AMD Ryzen™ V1807B QC APU (3.8GHz), eDP, 4GB DDR4 memory on board
ET976-1807LV-8G	COM Express (Type 6) CPU Module with AMD Ryzen™ V1807B QC APU (3.8GHz), LVDS, 8GB DDR4 memory on board

## Dimensions and Drawing



Our company network supports you worldwide with offices in Germany, Austria, Switzerland, the UK and the USA. For more information please contact:

## Headquarters

### Germany



### FORTEC Elektronik AG

Augsburger Str. 2b  
82110 Germering

Phone: +49 89 894450-0  
E-Mail: [info@forteca.de](mailto:info@forteca.de)  
Internet: [www.forteca.de](http://www.forteca.de)

## Fortec Group Members

### Austria



### Distec GmbH Office Vienna

Nuschinggasse 12  
1230 Wien

Phone: +43 1 8673492-0  
E-Mail: [info@distec.de](mailto:info@distec.de)  
Internet: [www.distec.de](http://www.distec.de)

### Germany



### Distec GmbH

Augsburger Str. 2b  
82110 Germering

Phone: +49 89 894363-0  
E-Mail: [info@distec.de](mailto:info@distec.de)  
Internet: [www.distec.de](http://www.distec.de)

### Switzerland



### ALTRAC AG

Bahnhofstraße 3  
5436 Würenlos

Phone: +41 44 7446111  
E-Mail: [info@altrac.ch](mailto:info@altrac.ch)  
Internet: [www.altrac.ch](http://www.altrac.ch)

### United Kingdom



### Display Technology Ltd.

Osprey House, 1 Osprey Court  
Hichingbrooke Business Park  
Huntingdon, Cambridgeshire, PE29 6FN

Phone: +44 1480 411600  
E-Mail: [info@displaytechnology.co.uk](mailto:info@displaytechnology.co.uk)  
Internet: [www.displaytechnology.co.uk](http://www.displaytechnology.co.uk)

### USA



### Apollo Display Technologies, Corp.

87 Raynor Avenue,  
Unit 1 Ronkonkoma,  
NY 11779

Phone: +1 631 5804360  
E-Mail: [info@apolloDisplays.com](mailto:info@apolloDisplays.com)  
Internet: [www.apolloDisplays.com](http://www.apolloDisplays.com)