



OUR GLOBAL  
COMPETENCE  
CENTRES

 APOLLO DISPLAY  
TECHNOLOGIES



 DISTEC



 DISPLAY  
TECHNOLOGY



# Datasheet

## ADVANTECH

### SOM-5899

COM Express™ Basic Type 6 Module with

8th Gen. Intel® Core™ i / Pentium Processor Family

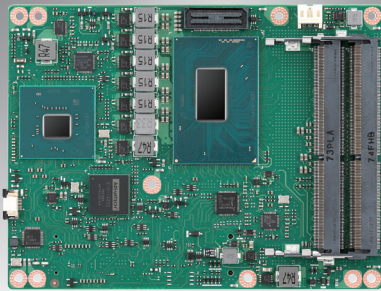
The information contained in this document has been carefully researched and is, to the best of our knowledge, accurate. However, we assume no liability for any product failures or damages, immediate or consequential, resulting from the use of the information provided herein. Our products are not intended for use in systems in which failures of product could result in personal injury. All trademarks mentioned herein are property of their respective owners. All specifications are subject to change without notice.

---

# SOM-5899

## 9<sup>th</sup>/8<sup>th</sup>Gen Intel® Xeon®/Core™ Processors COM Express Basic Module Type 6

**NEW**



### Features

- Intel 9<sup>th</sup>/8<sup>th</sup> Gen Xeon®/Core™ Hexa/Quad Cores + PCH QM370/CM246
- Dual channel DDR4, Max 96GB (ECC optional)
- High Speed I/O: 4 USB3.1 (Gen2), 8 PCIe1(Gen3), 4 SATA (Gen3)
- Three Independent Symmetrical Displays (Up to 4K)
- Supports iManager, WISE-PaaS/Device-On and Embedded Software APIs

Software APIs:



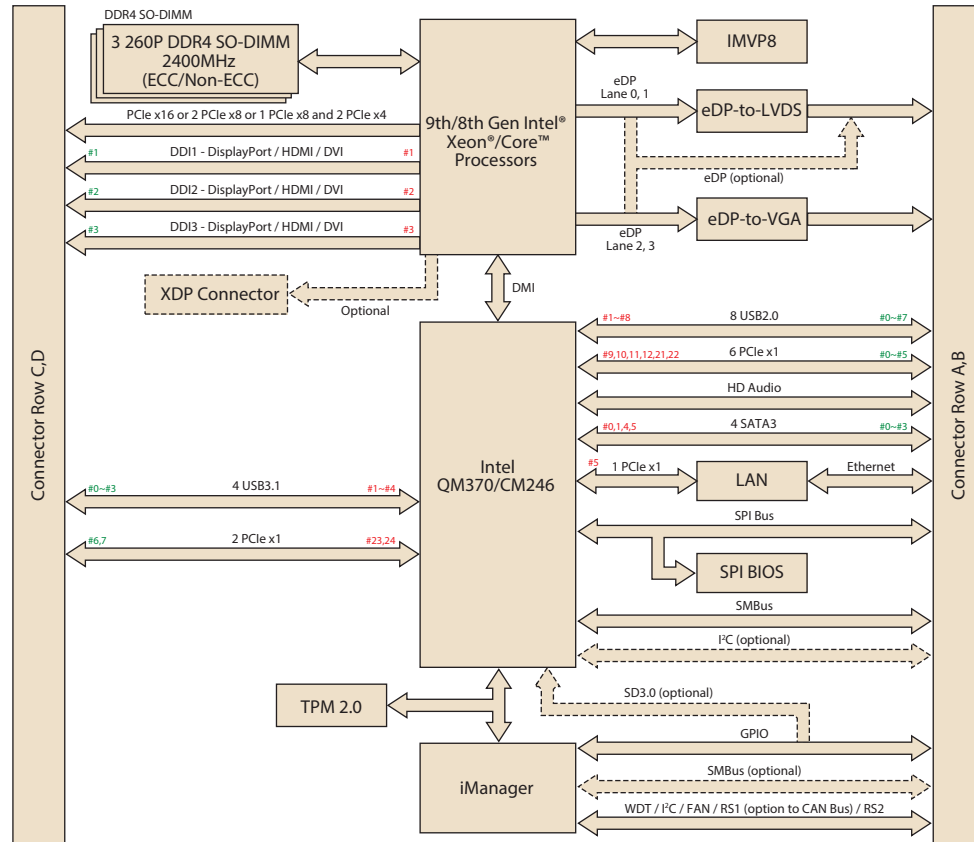
Windows Embedded



### Specifications

Form Factor	Form Factor	COM Express Basic Module									
	Pin-out Type	COM Express R3.0 Type 6 pin out									
Processor System	CPU	E-2276ME	E-2276ML	I7-9850HE	I7-9850HL	I3-9100HL	Celeron G4930E	E-2176M	i7-8850H	i5-8400H	i3-8100H
	Base Frequency	2.8 GHz	2.0 GHz	2.7 GHz	1.9 GHz	1.6 GHz	2.4 GHz	2.7GHz	2.6GHz	2.5GHz	3.0GHz
	Max Single Core Turbo Frequency	4.5 GHz	4.2 GHz	4.4 GHz	4.1 GHz	2.9 GHz	NA	4.4GHz	4.3GHz	4.2GHz	N/A
	Cores	6	6	6	6	4	2	6/12	6/12	4/8	4/4
	LLC	12MB	12MB	9MB	9MB	6MB	2MB	12MB	9MB	8MB	6MB
	CPU TDP	45W	25W	45W	25W	25W	35W	45W/35W	45W/35W	45W/35W	45W/35W
	BIOS	AMI UEFI 256Mbit									
Memory	Technology	DDR4 (2DPC: Up to DDR4 2400 x 3 SO-DIMM/1DPC: Up to DDR4 2666 x 2 SO-DIMM)									
	ECC Support	ECC is supported with specific SKU									
	Max. Capacity	96GB									
	Socket	3 260P SO-DIMM: 2 on front side (channel 0&1) / 1 on rear side (channel 0)									
Graphics	Controller	Intel® UHD Graphics 610/630/P630									
	Max. Frequency	1.15GHz	1.15GHz	1.15GHz	1.15GHz	1.10GHz	1.05GHz	1.20GHz	1.15GHz	1.10GHz	1.00GHz
	Graphic Memory	Shared Memory									
	3D/HW Acceleration	HW Encode: MPEG2, AVC/H264, VP8, JPEG, HEVC/H265, VP9 HW Decode: MPEG2, VC1/WMV9, AVC/H264, VP8, JPEG/MJPEG, JPEG/MJPEG, HEVC/H265 (10 bits & 8 bits), VP9									
Display	VGA	1920 x 1200@60Hz									
	LCD	LVDS dual channel: 1920 x 1200@60Hz (option support eDP 4096 x 2304@60Hz, 24bpp)									
	DDI	3 DDI ports support configurable HDMI/DVI/DisplayPort HDMI: 4096 x 2160@24Hz, DVI: 1920 x 1200@60Hz, DP: 4096 x 2304@60Hz									
	Multiple Display	Triple displays with each display combinations									
Expansion	PCI Express x16 (Gen3)	1 PCIe x16 configurable to 1 x16, 2 x8, 1 x8 + 2 x4									
	PCI Express x1 (Gen3)	8 PCIe x1, configurable to x4 or x2									
	Audio Interface	Intel HD Audio Interface									
	LPC	Yes									
Serial Bus	SMBus	Yes									
	I²C Bus	Yes									
	CAN Bus	Yes (Optional, co-layout with COM2)									
Ethernet	Controller	Intel I219									
	Speed	10/100/1000 Mbps									
I/O	SATA3.0	4 Ports (6Gbps)									
	USB3.1 (Gen2)	4 Ports (10Gbps)									
	USB2.0	8 Ports (480Mbps)									
	SPI Bus	Yes									
	GPIO	8 bits (Option support SD Card)									
	Watchdog	65536 level, 0-65535 sec									
	COM Port	2 Ports (2-wire)									
	TPM	TPM2.0 (Infineon SLB9665)									
	Smart Fan	2 Ports: 1 port on COM module (Notice: the input voltage of fan is aligned to Vin); 1 port on carrier board									
Power	Type	ATX: Vin, VSB; AT: Vin									
	Supply Voltage	Vin: 8.5V ~ 20V; VSB: 4.75V ~ 5.25 V, RTC Battery: 2.0V ~ 3.3V									
	Power Consumption	Max: 44.63W @ 12V (i7-8850H with 48GB DDR4 2400) Idle: 6.89W @ 12V (i7-8850H with 48GB DDR4 2400) *Only for reference and will depends on custom software loading, detail refer to user manual									
Environment	Operating Temperature	Standard: 0 ~ 60 °C (32 ~ 140 °F), Extend: -40 ~ 85 °C (-40 ~ 185 °F)									
	Storage Temperature	-40 ~ 85 °C (-40 ~ 185 °F)									
	Humidity	Operating: 40 °C @ 95% relative humidity, non-condensing Storage: 60 °C @ 95%relative humidity, non-condensing									
	Vibration Resistance	3.5 Grms									
Mechanical	Dimensions	125 mm x 95 mm (4.92" x 3.74")									

## Block Diagram



### \*Display Configuration Table

	DDI 1	DDI 2	DDI 3	LVDS/eDP	VGA
Default	DP++	DP++	HDMI/DVI	LVDS	VGA
Option 1	DP++	DP++	HDMI/DVI	eDP (2-lane)	VGA
Option 2	DP++	DP++	DP++	eDP (4-lane)	None

Support maximum 3 independent displays simultaneously.

## Ordering Information

Part No.	CPU	Freq.	Cores	CPU TDP	PCH	DDR4 SODIMM	Thermal Solution	Operating Temp.
SOM-5899RE6C-U8A1	E-2276ME	2.8	6	45W	CM246	ECC	Active	0 – 60 °C
SOM-5899RE6C-U0A1	E-2276ML	2	6	25W	CM246	ECC	Active	0 – 60 °C
SOM-5899RC7Q-U7A1	I7-9850HE	2.7	6	45W	QM370	non-ECC	Active	0 – 60 °C
SOM-5899RC7Q-S9A1	I7-9850HL	1.9	6	25W	QM370	non-ECC	Active	0 – 60 °C
SOM-5899RC3Q-S6A1	I3-9100HL	1.6	4	25W	QM370	non-ECC	Active	0 – 60 °C
SOM-5899RC3C-S6A1	I3-9100HL	1.6	4	25W	CM246	ECC	Active	0 – 60 °C
SOM-5899RCRC-U4A1	Celeron G4930E	2.4	2	35W	CM246	ECC	Active	0 – 60 °C
SOM-5899RE6CX-U8A1	E-2276ME	2.8	6	45W	CM246	ECC	Active	-40 – 85 °C
SOM-5899RC7QX-U7A1	I7-9850HE	2.7	6	45W	QM370	non-ECC	Active	-40 – 85 °C
SOM-5899RC3QX-S6A1	I3-9100HL	1.6	4	25W	QM370	non-ECC	Active	-40 – 85 °C

Part No.	CPU	Freq.	Cores	CPU TDP	PCH	DDR4 SODIMM	Thermal Solution	Operating Temperature
SOM-5899E6C-U7A1	E-2176M	2.7	6	45W	CM246	ECC/ non-ECC	Active	0 – 60 °C
SOM-5899C7Q-U6A1	I7-8850H	2.6	6	45W	QM370	non-ECC	Active	0 – 60 °C
SOM-5899C5Q-U5A1	I5-8400H	2.5	4	45W	QM370	non-ECC	Active	0 – 60 °C
SOM-5899C3Q-H0A1	I3-8100H	3.0	4	45W	QM370	non-ECC	Active	0 – 60 °C
SOM-5899E6CX-U7A1	E-2176M	2.7	6	45W	CM246	ECC/ non-ECC	Active	-40 – 85 °C
SOM-5899C7QX-U6A1	I7-8850H	2.6	6	45W	QM370	non-ECC	Active	-40 – 85 °C
SOM-5899C5QX-U5A1	I5-8400H	2.5	4	45W	QM370	non-ECC	Active	-40 – 85 °C
SOM-5899C3QX-H0A1	I3-8100H	3.0	4	45W	QM370	non-ECC	Active	-40 – 85 °C

Any other SKUs or combination is project based support. Please contact sales for details.

## Packing List

Part No.	Description	Quantity
-	SOM-5899 CPU Module	1
1960081253T001	Heatspreader of SOM-5899	1

## Optional Accessories

Part No.	Description
1960048820N001	Semi-Cooler 125 x 95 x 33 mm with 12V fan
1960094209T001	QFCS 125 x 95 x 26.29 mm

## Development Board

Part No.	Description
SOM-DB5830-00A1	COMe Devel. Board COMe R3.0 Type6 pin-out (SOM-DB5830)

## Embedded OS

OS	Part No.	Description
Win10 (HL)	20706WX9HS0037	Img Win10 IoT Ent_LTSB 64 bit (Xeon & Core i7)
Win10 (VL)	20706WX9VS0040	Img Win10 IoT Ent_LTSB 64 bit (Core i5 & i3)

Our company network supports you worldwide with offices in Germany, Austria, Switzerland, the UK and the USA. For more information please contact:

## Headquarters

### Germany



#### FORTEC Elektronik AG

Augsburger Str. 2b  
82110 Germering

Phone: +49 89 894450-0  
E-Mail: [info@forteca.de](mailto:info@forteca.de)  
Internet: [www.forteca.de](http://www.forteca.de)

## Fortec Group Members

### Austria



#### Distec GmbH Office Vienna

Nuschinggasse 12  
1230 Wien

Phone: +43 1 8673492-0  
E-Mail: [info@distec.de](mailto:info@distec.de)  
Internet: [www.distec.de](http://www.distec.de)

### Germany



#### Distec GmbH

Augsburger Str. 2b  
82110 Germering

Phone: +49 89 894363-0  
E-Mail: [info@distec.de](mailto:info@distec.de)  
Internet: [www.distec.de](http://www.distec.de)

### Switzerland



#### ALTRAC AG

Bahnhofstraße 3  
5436 Würenlos

Phone: +41 44 7446111  
E-Mail: [info@altrac.ch](mailto:info@altrac.ch)  
Internet: [www.altrac.ch](http://www.altrac.ch)

### United Kingdom



#### Display Technology Ltd.

Osprey House, 1 Osprey Court  
Hichingbrooke Business Park  
Huntingdon, Cambridgeshire, PE29 6FN

Phone: +44 1480 411600  
E-Mail: [info@displaytechnology.co.uk](mailto:info@displaytechnology.co.uk)  
Internet: [www.displaytechnology.co.uk](http://www.displaytechnology.co.uk)

### USA



#### Apollo Display Technologies, Corp.

87 Raynor Avenue,  
Unit 1 Ronkonkoma,  
NY 11779

Phone: +1 631 5804360  
E-Mail: [info@apolloDisplays.com](mailto:info@apolloDisplays.com)  
Internet: [www.apolloDisplays.com](http://www.apolloDisplays.com)