

OUR GLOBAL  
COMPETENCE  
CENTRES

 APOLLO DISPLAY  
TECHNOLOGIES



 DISTEC



 DISPLAY  
TECHNOLOGY



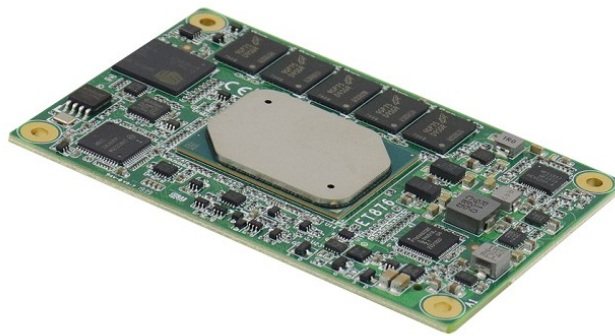
# Datasheet

## iBASE

### ET876

**COM Express® Mini Modul with Intel® Atom™ x7/x5/ Pentium®/ Celeron® Apollo Lake Processor**

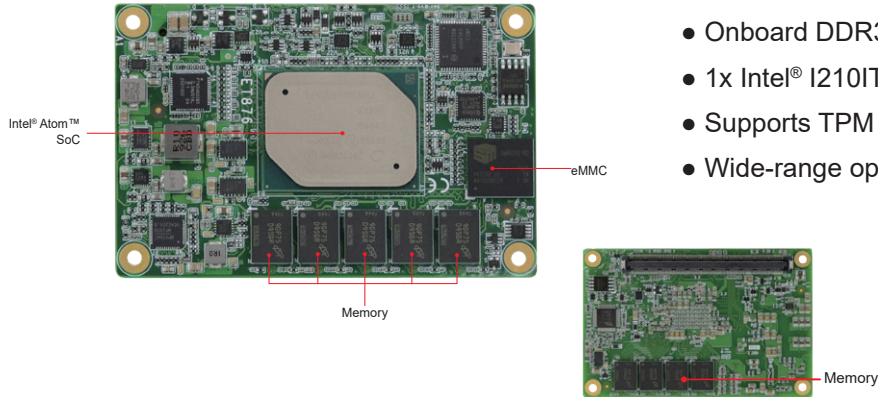
**QC x7/ E3950, QC x5/ E3940, DC x5/ E3930**



---

The information contained in this document has been carefully researched and is, to the best of our knowledge, accurate. However, we assume no liability for any product failures or damages, immediate or consequential, resulting from the use of the information provided herein. Our products are not intended for use in systems in which failures of product could result in personal injury. All trademarks mentioned herein are property of their respective owners. All specifications are subject to change without notice.

---



## Features

- Onboard Intel® Atom™ x7-E3950, 2.0GHz or x5-E3940, 1.8GHz or x5-E3930, 1.8GHz [i-Temp support]
- Onboard DDR3L memory with ECC support
- 1x Intel® I210IT PCI-E Gigabit LAN
- Supports TPM (2.0), eMMC5.0 (optional)
- Wide-range operating temperature from -40°C to 85°C

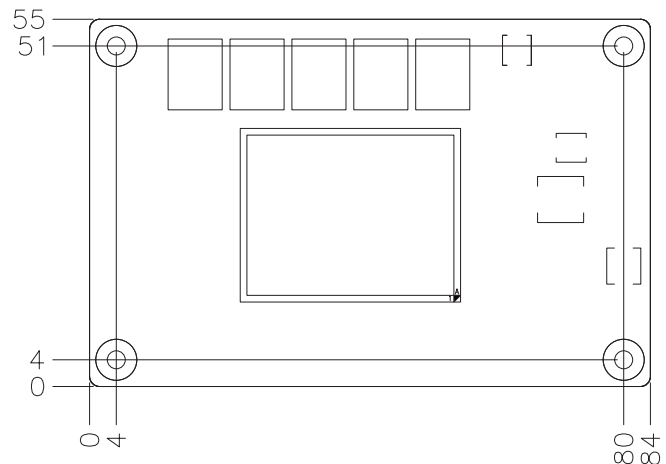
## Specifications

CPU	Intel® Atom™ QC x7/ E3950 (1.6GHz~2.0GHz) Intel® Atom™ QC x5/ E3940 (1.6 GHz~1.8GHz) Intel® Atom™ DC x5/ E3930 (1.3 GHz~1.8GHz)
PCH	Integrated in Intel® SoC
Memory Type	Onboard memory, DDR3L 1600MHz, 4GB with ECC
BIOS	AMI
Watchdog Timer	256 levels
H/W Monitor	Yes
Storage Device Interface	eMMC 5.0 up to 32GB (optional)
Expansion slots	4x PCI-E(x1)
Graphics Controller	Intel® SoC integrated Gen9-LP graphics
Video Output	1x DDI 1x LVDS or 1x eDP (optional)
Ethernet	Intel® I210IT PCI-E Gigabit LAN
I/O Chip	Fintek F81804U-I
Serial Port	2x UART (Tx/Rx only)
USB 2.0	8x USB 2.0 via Carrier Board
USB 3.0/ 3.1	2x USB 3.0 via Carrier Board
Serial ATA	2x SATA III via Carrier Board
Audio	Intel® Atom™ SoC built-in HD audio controller
TPM	TPM (2.0)
Others	I2C
Dimensions (L X W)	84mm x 55mm (3.3" x 2.17")
Power Consumption	TBD
Operating Temperature	-40°C ~ 85°C (-40°F ~ 185°F)[ET876-x7/x5]
Storage Temperature	-40°C ~ 90°C (-40°F ~ 194°F)
Relative Humidity	90% (non-condensing @60°C)

## Ordering Information

ET876-X7LV	COM Express (Type 10) CPU Module with Intel® Atom™ x7/ E3950 (2.0GHz) on board, LVDS, 4GB DDR3L memory on board
ET876-X5QLV	COM Express (Type 10) CPU Module with Intel® Atom™ x5/ E3940 (1.8GHz) on board, LVDS, 4GB DDR3L memory on board
ET876-X5LV	COM Express (Type 10) CPU Module with Intel® Atom™ x5/ E3930 (1.8GHz) on board, LVDS, 4GB DDR3L memory on board
IP417	Mini-ITX COM Express Type 10 (R3.0) Carrier Board

## Dimensions and Drawing



Our company network supports you worldwide with offices in Germany, Austria, Switzerland, the UK and the USA. For more information please contact:

## Headquarters

### Germany



#### FORTEC Elektronik AG

Augsburger Str. 2b  
82110 Germering

Phone: +49 89 894450-0  
E-Mail: [info@fortecag.de](mailto:info@fortecag.de)  
Internet: [www.fortecag.de](http://www.fortecag.de)

## Fortec Group Members

### Austria



#### Distec GmbH Office Vienna

Nuschinggasse 12  
1230 Wien

Phone: +43 1 8673492-0  
E-Mail: [info@distec.de](mailto:info@distec.de)  
Internet: [www.distec.de](http://www.distec.de)

### Germany



#### Distec GmbH

Augsburger Str. 2b  
82110 Germering

Phone: +49 89 894363-0  
E-Mail: [info@distec.de](mailto:info@distec.de)  
Internet: [www.distec.de](http://www.distec.de)

### Switzerland



#### ALTRAC AG

Bahnhofstraße 3  
5436 Würenlos

Phone: +41 44 7446111  
E-Mail: [info@altrac.ch](mailto:info@altrac.ch)  
Internet: [www.altrac.ch](http://www.altrac.ch)

### United Kingdom



#### Display Technology Ltd.

Osprey House, 1 Osprey Court  
Hichingbrooke Business Park  
Huntingdon, Cambridgeshire, PE29 6FN

Phone: +44 1480 411600  
E-Mail: [info@displaytechnology.co.uk](mailto:info@displaytechnology.co.uk)  
Internet: [www.displaytechnology.co.uk](http://www.displaytechnology.co.uk)

### USA



#### Apollo Display Technologies, Corp.

87 Raynor Avenue,  
Unit 1 Ronkonkoma,  
NY 11779

Phone: +1 631 5804360  
E-Mail: [info@apolloDisplays.com](mailto:info@apolloDisplays.com)  
Internet: [www.apolloDisplays.com](http://www.apolloDisplays.com)