



OUR GLOBAL
COMPETENCE
CENTRES

 APOLLO DISPLAY
TECHNOLOGIES



 DISTEC



 DISPLAY
TECHNOLOGY

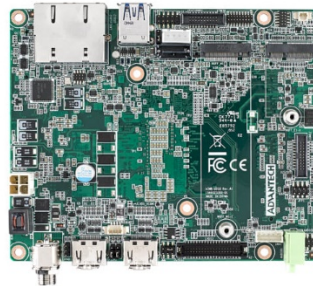


Datasheet

Advantech

AIMB-U233

**UTX Motherboard for 8th Gen. Intel®Core™ i3-8145UE / i5-8365UE / i7-8665UE Whiskey Lake processor,
eDP (LVDS), 2x HDMI, 2x LAN, 2x USB3.2
Gen2 x1, 4x COM**

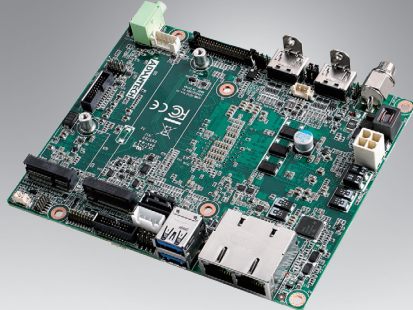


The information contained in this document has been carefully researched and is, to the best of our knowledge, accurate. However, we assume no liability for any product failures or damages, immediate or consequential, resulting from the use of the information provided herein. Our products are not intended for use in systems in which failures of product could result in personal injury. All trademarks mentioned herein are property of their respective owners. All specifications are subject to change without notice.

AIMB-U233

Intel 8th Gen U Series CORE i3/i5/i7 CPU, eDP (LVDS), 2 HDMI, 2 LAN, 2 USB3.2 Gen2 x1, 4 COM (RS-232/422/485), M.2 E-Key, M.2 B-Key, M.2 M-Key NVMe

NEW



Features

- Intel® 8th Gen Core™ i3-8145UE / i5-8365UE / i7-8665UE
- Supports 1 x DDR4-2400 SO-DIMM
- Supports 1 x eDP (LVDS co-lay), 2 x HDMI, 3 Independent Displays
- Supports 2 x LAN, 2 x USB3.2 Gen2 x1 Type-A Ports, 4 COM Ports (RS-232/422/485, selected via BIOS)
- Supports 1 x M.2 E-Key, 1 x M.2 B-Key, 1 x M.2 M-Key NVMe
- Supports Intel vPro (For i5 and i7 CPU)
- Supports RAID 0/1/5

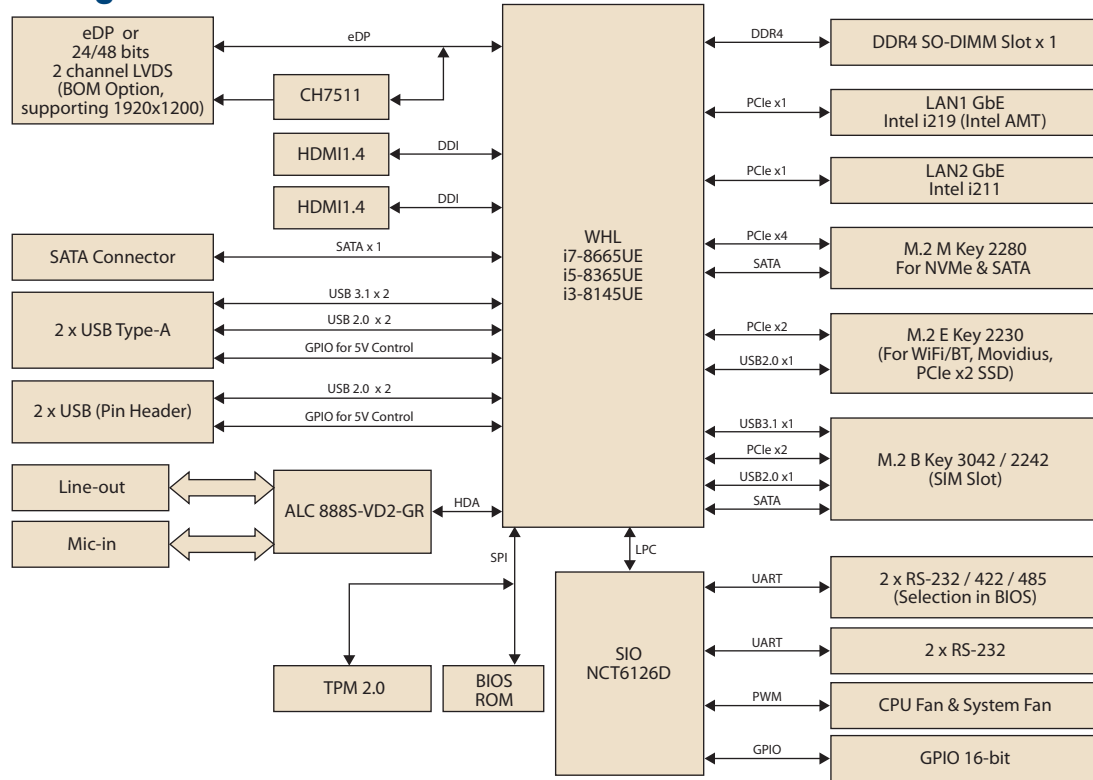
ubuntu® Windows 10

CE FCC RoHS COMPLIANT PRODUCT

Specifications

	CPU (14 NM)	Intel® Core™ i3-8145UE	Intel® Core™ i5-8365UE	Intel® Core™ i7-8665UE
Processor System	Max. Speed	2C/4T, 2.2/3.9 (Base/Turbo) GHz	4C/8T, 1.6/4.1 (Base/Turbo) GHz	4C/8T, 1.7/4.4 (Base/Turbo) GHz
	Cache Memory	4MB	6MB	8MB
	BIOS	256Mb SPI AMI BIOS		
	Expansion Slot	M.2	1, M-Key 2280 (PCIe x4, SATA co-layout) 1, B-Key 2242/ 3042 (PCIe x2, USB 2.0, SATA co-layout) 1, E-Key 2230 (PCIe x2, USB 2.0 co-layout)	
Memory	Technology	DDR4-2400 (Non-ECC)		
	Max. Capacity	16 GB		
	Socket	1 260-Pin SODIMM		
Graphic	Controller	Intel® UHD Graphics 620		
	HDMI	2, Supports max resolution: 3840 x 2160 @ 30Hz		
	eDP	1, Supports max resolution: 4096 x 2304 @ 60Hz		
	LVDS	1, Supports max resolution: 1920 x 1200 @ 60Hz		
Ethernet	Interface	10/100/1000 Mbps		
	Controller	LAN1: Intel Jacksonville: I219LM GbE PHY LAN 2: Intel Springville: I211AT GbE		
	Connector	2, RJ45		
SATA	Max Data Transfer Rate	600 MB/s (SATA 3.0)		
	Connector	1		
External I/O	HDMI	2		
	USB	2, USB3.2 Gen2 x1 Type-A		
	Ethernet	2 GbE		
	Audio	1		
	DC Jack	1, 12V DC-In		
Internal Connector	eDP or LVDS (BOM option) / Inverter	1/1		
	Serial	2, RS-232 2, RS-232/422/485 (Selected in BIOS)		
	SATA	1, (SATA 3.0) SATA connector & PWR connector		
	USB	USB2.0 x 2 connector		
	16-bit GPIO 1	1		
	Watchdog Timer	Output	System reset	
	Interval	Programmable 1 ~ 255 sec/min		
Power	Single Voltage 1	12V DC-In (1 external DC Jack)		
	Typical Power Consumption	Typical: 6.25W @12V Max: 22.97W @12V		
Environment		Operating: 0 ~ 60 °C Non-Operating: -40 85 °C		
	Physical Characteristics	Dimensions	112 x 137 mm (4.4" x 5.4")	

Block Diagram



Ordering Information

P/N	CPU	SODIMM	HDMI 1.4b	eDP/ LVDS	GbE LAN	SATA	RS232	RS232/422/485	USB3.2 Gen2 x1	USB2.0	M.2 M-Key	M.2 B-Key	M.2 E-Key	TPM 2.0
AIMB-U233E-U7A1E	i7-8665UE	1	2	1/(1)	2	1	2	2	2	2	1	1	1	1
AIMB-U233E-U5A1E	i5-8365UE	1	2	1/(1)	2	1	2	2	2	2	1	1	1	1
AIMB-U233E-U3A1E	i3-8145UE	1	2	1/(1)	2	1	2	2	2	2	1	1	1	1
AIMB-U233L-U3A1E	i3-8145UE	1	2	(1)/1	2	1	2	2	2	2	1	1	1	1

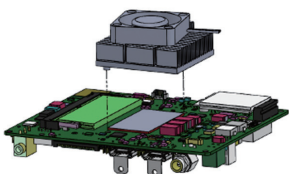
Packing List

Part Number	Description	Quantity
1700029129-01	F Cable IDE#2 18P-1.27/D-SUB 9P(F)*2 20CM (GPIO cable)	1
1700031130-01	F cable IDE#2 20P-1.27/D-SUB 9P(M)*2 20cm (COM cable)	2
1930006770-01	Screw M2.5*4L F/S D=4.5 H=0.8 + ST Ni NK	3
1970004550N001	C.L R3 I-WSL U15W 70x54x27.5mm AIMB-U233 (CPU Cooler On-board)	1

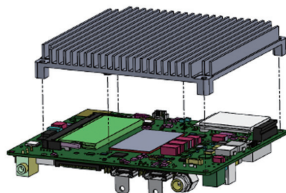
Optional Accessories

Part Number	Description
1970004549N001	H.S. R2 I-WSL U15W 117x112x18.76mm AIMB-U233 (Motherboard Heatsink)
1700031306-01	A cable USB-A 4P(F)*2/2*5P-2.0 15cm (USB cable)
1700008941	M Cable SATA 7P/SATA 7P 32CM C=R 180/180D W/Lock (SATA signal cable)
1700018785	A CABLE SATA 15P/1*4P-2.5 35cm for AIMB-213 (SATA power cable)

CPU Cooler (Default)



Motherboard Heatsink (Option)



Embedded OS / API

OS / API	Part Number	Available CPU SKU(s)	Description
Windows10	20706WX9VS0090	Core i5, Core i3	img W10 19VL AIMB-U233 64b 1809 ENU
Windows10	20706WX9HS0086	Core i7	img W10 19HL AIMB-U233 64b 1809 ENU
Linux Ubuntu	360SU233000101	All CPU SKUs	Ubuntu V20.04 image of AIMB-U233

Our company network supports you worldwide with offices in Germany, Austria, Switzerland, the UK and the USA. For more information please contact:

Headquarters

Germany



FORTEC Elektronik AG

Augsburger Str. 2b
82110 Germering

Phone: +49 89 894450-0
E-Mail: info@forteca.de
Internet: www.forteca.de

Fortec Group Members

Austria



Distec GmbH Office Vienna

Nuschinggasse 12
1230 Wien

Phone: +43 1 8673492-0
E-Mail: info@distec.de
Internet: www.distec.de

Germany



Distec GmbH

Augsburger Str. 2b
82110 Germering

Phone: +49 89 894363-0
E-Mail: info@distec.de
Internet: www.distec.de

Switzerland



ALTRAC AG

Bahnhofstraße 3
5436 Würenlos

Phone: +41 44 7446111
E-Mail: info@altrac.ch
Internet: www.altrac.ch

United Kingdom



Display Technology Ltd.

Osprey House, 1 Osprey Court
Hichingbrooke Business Park
Huntingdon, Cambridgeshire, PE29 6FN

Phone: +44 1480 411600
E-Mail: info@displaytechnology.co.uk
Internet: www.displaytechnology.co.uk

USA



Apollo Display Technologies, Corp.

87 Raynor Avenue,
Unit 1 Ronkonkoma,
NY 11779

Phone: +1 631 5804360
E-Mail: info@apolloDisplays.com
Internet: www.apolloDisplays.com