

OUR GLOBAL
COMPETENCE
CENTRES

 APOLLO DISPLAY
TECHNOLOGIES



 DISTEC



 DISPLAY
TECHNOLOGY



Datasheet

Diamond Systems

Stevie™

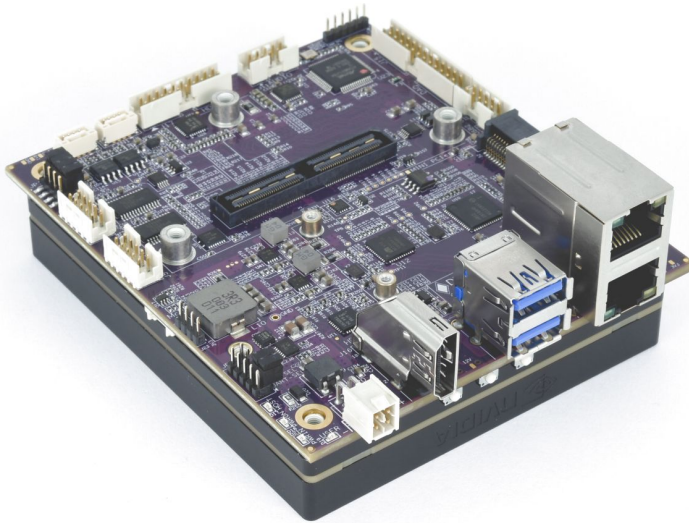
Carrier Board for NVIDIA® Jetson AGX Xavier



The information contained in this document has been carefully researched and is, to the best of our knowledge, accurate. However, we assume no liability for any product failures or damages, immediate or consequential, resulting from the use of the information provided herein. Our products are not intended for use in systems in which failures of product could result in personal injury. All trademarks mentioned herein are property of their respective owners. All specifications are subject to change without notice.

STEVE™ Carrier for AGX Xavier

Low cost, high performance carrier for NVIDIA Jetson AGX Xavier modules



FEATURES

- * Size: Size: 3.5" x 4.00" / 92mm x 105mm
- * Input voltage 9-20VDC

On-board features:

- * I/O breakout from Xavier board:
 - * 2x USB 3.1
 - * 2x USB 2.0
 - * 2x Gigabit Ethernet
 - * 2x HDMI
 - * 4x RS-232/RS485/RS422
 - * 2x CAN
 - * Audio
 - * SAM DAQ circuit: 6xADC input to SAM controller and 2x DAC via SAM controller
 - * Digital IOs: 13 Digital IO via SAM controller

Socketed features:

- * Camera module connector with 4x4 CSI lanes supporting up to 8x 2-lane CSI cameras
- * UFS flash socket + Micro SD
- * M.2 PCIe x4 socket (2280 size)
- * 1mPCIe socket

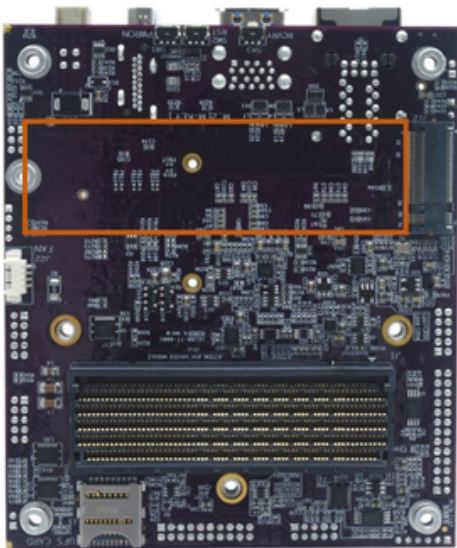
STEVE offers a compact, low-cost, feature-packed carrier board solution for the NVIDIA Jetson AGX Xavier computer module. STEVE measures 92 x 105mm (~ 3.5 x 4.0"), just slightly larger than the AGX Xavier module (87 x 100mm). This small outline enables Stevie to provide the maximum amount of I/O and support full-size 2280 M.2 modules in the smallest possible size.

STEVIE utilizes the NVIDIA Jetson AGX Xavier embedded computer module to deliver unmatched performance for AI, machine learning, image processing, and other compute-intensive tasks. The Xavier module delivers up to 30 TeraOps in performance (3×10^{13} operations per second) at a maximum power dissipation of 30 watts. Xavier also offers scalable performance for applications requiring lower overall power consumption of 10 or 15 watts. The module runs at 32 TOPs on a 512-core Volta GPU with Tensor Cores and accelerators, enabling high-performance AI-powered autonomous machines like never before. At 87 x 100mm (3.4 x 3.9") it is slightly bigger than the other Jetson modules.

The most popular I/O is located along the front edge of the board using commercial style panel I/O connectors. This facilitates installation in an enclosure with fewer internal cables, helping to further reduce overall system cost and size.

PCIe Minicard and M.2 sockets enable the installation of flashdisk and I/O expansion module to customize Stevie to your particular application requirements.

STEVIE is ideal for NVIDIA Jetson Xavier applications in typical commercial / industrial environments requiring low cost and compact size. For mobile and outdoor applications requiring a higher degree of ruggedness or more advanced I/O, see our **ELTON** carrier with PCIe/104 I/O expansion.

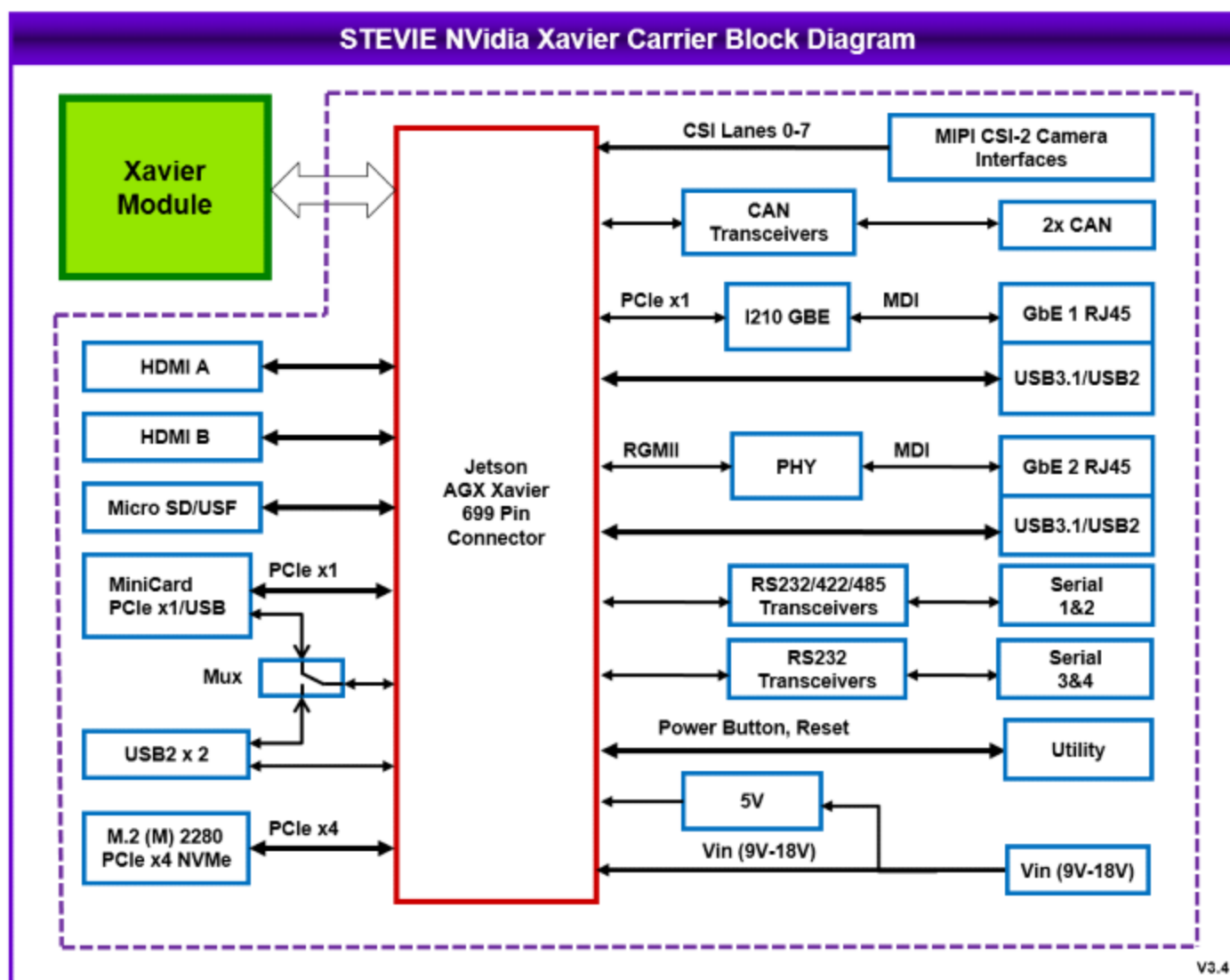


Bottom view of STEVIE showing the M.2 2280 socket (outlined).

Stevie is available as a complete system, with the AGX Xavier 32GB module installed and preprogrammed with Diamond's customized Linux OS for Jetson, all assembled into a sturdy steel and aluminum enclosure. The enclosure provides access to all the front edge I/O connectors plus 4 additional DB9 connectors (serial ports and/or CAN), the second HDMI port, 2 USB 2.0 ports, and up to two SMA type antenna connectors for an installed M.2 or Minicard module. To learn more about these systems **click here**.



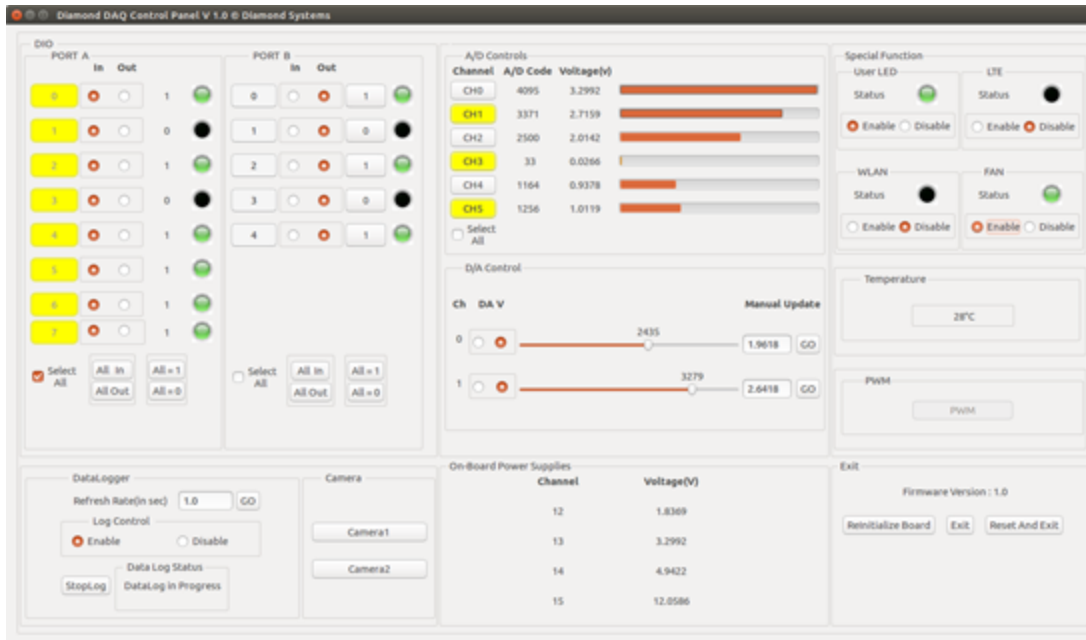
◆ Stevie Block Diagram



◆ Data Acquisition

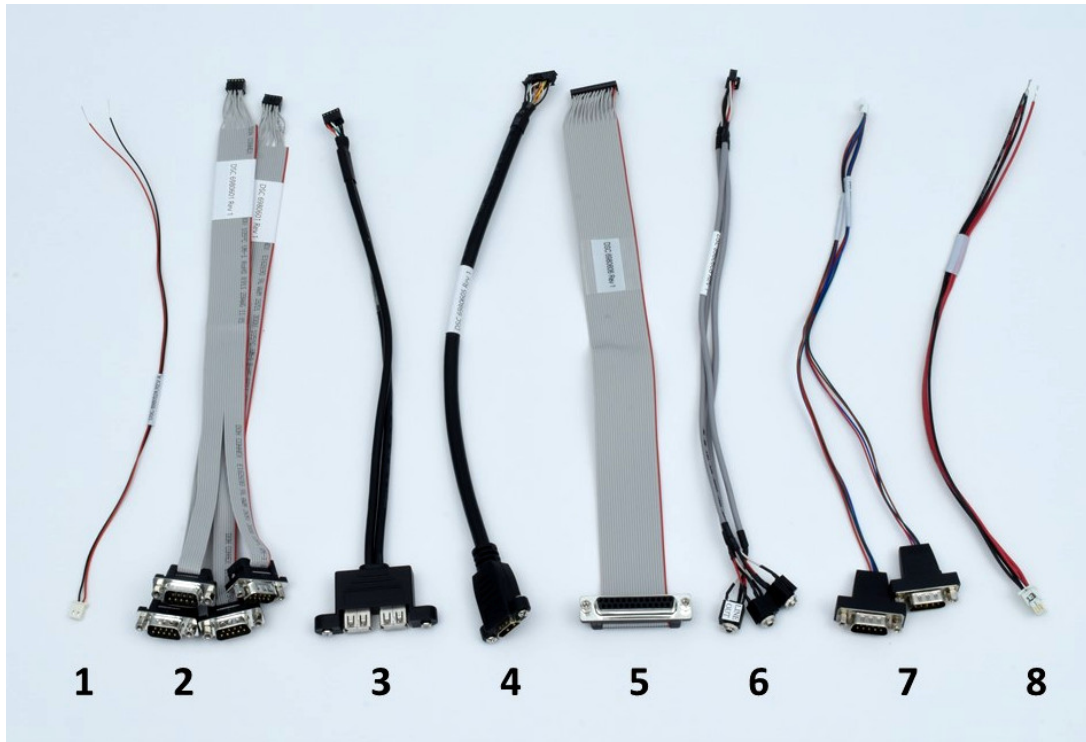
A built-in data acquisition circuit provides 12-bit A/D up to 1MSPS, 12-bit D/A, and 3.3V GPIO. Diamond's free C-language programming library simplifies application development, while a GUI control

panel offers convenient control and monitoring of real-world processes as well as ready-to-run data logging capability.



◆ Stevie Cable Kit

The cables in this cable kit are not sold separately.



CK-STV-01 includes the following cables:

No.	Qty	Cable	Description	Drawing
-----	-----	-------	-------------	---------

1	1	6980524	Cable, External Battery, Molex Spox	Show
2	2	6980601	Dual serial, latching, 2x DB9M	Show
3	1	6980602	Cable, Dual USB 2.0, FCI 98414 to D	Show
4	1	6980605	HDMI Cable	Show
5	1	6980606	DAQ Cable	Show
6	1	6980608	Audio cable 2mm to 3x3.5mm	Show
7	2	6981182	CANbus 2.0 dual port cable	Show
8	1	6981507	Power Cable, IPD 2x2 to Leads, 20AV	Show

◆ Models and Accessories

STEVIE™ Carrier for AGX Xavier

available models:

STV-BB01 STEVIE carrier board for Jetson AGX Xavier computer module

Please login or signup for an online quote request.

Cables and accessories

available models:

CK-STV-01 CK-STV-01 cable kit

Please login or signup for an online quote request.

**www.diamondsystems.com | Sunnyvale, California USA | +1-650-810-2500 |
sales@diamondsystems.com**

Our company network supports you worldwide with offices in Germany, Austria, Switzerland, the UK and the USA. For more information please contact:

Headquarters

Germany



FORTEC Elektronik AG

Augsburger Str. 2b
82110 Germering

Phone: +49 89 894450-0
E-Mail: info@fortecag.de
Internet: www.fortecag.de

Fortec Group Members

Austria



Distec GmbH Office Vienna

Nuschinggasse 12
1230 Wien

Phone: +43 1 8673492-0
E-Mail: info@distec.de
Internet: www.distec.de

Germany



Distec GmbH

Augsburger Str. 2b
82110 Germering

Phone: +49 89 894363-0
E-Mail: info@distec.de
Internet: www.distec.de

Switzerland



ALTRAC AG

Bahnhofstraße 3
5436 Würenlos

Phone: +41 44 7446111
E-Mail: info@altrac.ch
Internet: www.altrac.ch

United Kingdom



Display Technology Ltd.

Osprey House, 1 Osprey Court
Hichingbrooke Business Park
Huntingdon, Cambridgeshire, PE29 6FN

Phone: +44 1480 411600
E-Mail: info@displaytechnology.co.uk
Internet: www.displaytechnology.co.uk

USA



Apollo Display Technologies, Corp.

87 Raynor Avenue,
Unit 1 Ronkonkoma,
NY 11779

Phone: +1 631 5804360
E-Mail: info@apolloDisplays.com
Internet: www.apolloDisplays.com