

Datasheet

iBASE

AMI240

Fanless Embedded System | 13./14. Gen. Intel® Core™



The information contained in this document has been carefully researched and is, to the best of our knowledge, accurate. However, we assume no liability for any product failures or damages, immediate or consequential, resulting from the use of the information provided herein. Our products are not intended for use in systems in which failures of product could result in personal injury. All trademarks mentioned herein are property of their respective owners. All specifications are subject to change without notice.



Rear I/O

Specifications

System Mainboard	MBE240AF with Intel® Q670E PCH
CPU Type	14th/13th Gen Intel® Core™ i9/i7/i5/i3 Desktop Processors
System Speed	Up to 5.0GHz
Memory	2x DDR5-4800/5600 SO-DIMM, Max. 64GB
Front Panel External I/O	2x HDMI(2.0b) 1x Audio jack for MIC-in / Line-out 4x USB3.2 ports 2x Antenna holes 2x RJ45 2.5GbE ports + Dual USB3.2 stack ports 1x RED LED for 2.5" storage device 1x Power button with Green LED indicator 1x 2-pin terminal block 2x SIM card
Rear Panel External I/O	2x RS232/422/485 port for COM#1~COM#2 2x RS232 ports for COM#3~COM#4 2x DisplayPort (1.2) 2x RJ45 Gigabit Ethernet port (Support 802.3at,PoE+) 1x 5-pin DC-in terminal block type for 24V 2x Antenna holes
Expansion Slots	1x M.2 (E-Key) for WiFi / BT 1x M.2 (B-Key) for 5G/4G/LTE
Storage	1x 2.5 HDD/SSD 1x M.2 (M-Key) *Supports NVMe SSD
Construction	Aluminum & steel
Chassis Color	Silver + Gray (Aluminum)
Mounting	Desktop & wall mount
Dimensions	210mm(W) x 285mm(D) x 77mm(H) 8.27" (W) x 11.22" (D) x 3.03" (H)
Weight	4.1 Kg
Operating Temperature	-20°C to 70°C (-4°F~158°F) (for 35W CPU)
Storage Temperature	-20°C~80°C (-4°F~176°F)
Relative Humidity	5%~90%@45°C (non-condensing)
Vibration	Operating : 0.25Grms / 5~500Hz Non-operating : 1Grms / 5~500Hz
Shock	Operating : 20G / 11ms Non-operating : 40G / 11ms
Certification	CE *follow EN55032* FCC Class-A / LVD

Features

- Fanless system with IBASE MBE240 customized board
- 14th/13th Gen Intel® Core™ i9/i7/i5/i3 Desktop Processors
- Dual SIM slots support WWAN redundancy (5G/4G/LTE)
- 4x RJ45 Ethernet ports (2x 2.5GbE ports + 2x PoE+ ports support 802.3at)
- 3x M.2 (B-Key/E-Key/M-Key), iAMT (16.1), TPM (2.0)
- Single 24V DC input, supports Over/Under/Reverse voltage protection

Ordering Information

AMI240AFM (Supports Sierra 5G module)	Fanless Box System support Intel® Core™ i9/i7/i5/i3 desktop 35W CPU & DDR5 SO-DIMM Non-ECC memory (Max. 64GB) & 1x SATA 2.5" storage device, w/o power adaptor
270W Power Adaptor Kit (optional)	270W (24V@11.25A) power adaptor kit compatible with IEC62368-1/ EN62368-1

Recommended Processor List

Model	TDP	Base Frequency	Turbo Frequency	Cache	Core/Thread
i9-14900T	35W	1.1GHz	5.1GHz	36MB	24/32
i7-14700T	35W	1.3GHz	5.0GHz	33MB	20/28
i5-14500T	35W	1.7GHz	4.8GHz	24MB	14/20
i5-14400T	35W	1.5GHz	4.5GHz	20MB	10/16
i3-14100T	35W	2.7GHz	4.4GHz	12MB	4/8
i9-13900TE	35W	1.0GHz	5.0GHz	32MB	24/32
i7-13700TE	35W	1.1GHz	4.8GHz	30MB	16/24
i5-13500TE	35W	1.1GHz	4.5GHz	24MB	14/20
i3-13100TE	35W	2.4GHz	4.1GHz	12MB	4/8
G7400TE	35W	3.0GHz	N/A	6MB	2/4
G6900TE	35W	2.4GHz	N/A	4MB	2/2

Comparison of AMI Series Systems

Depth



265mm 10.43-inch
AMI220



285mm 11.22-inch
AMI230



285mm 11.22-inch
AMI240

Real I/O



210mm 8.27-inch
AMI220



210mm 8.27-inch
AMI230



210mm 8.27-inch
AMI240

Front I/O



210mm 8.27-inch
AMI220

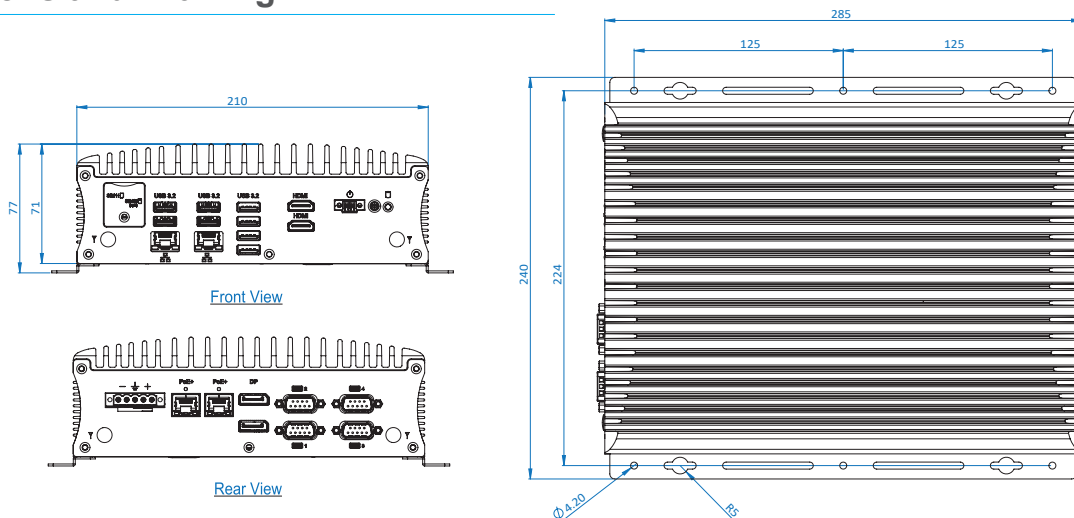


210mm 8.27-inch
AMI230



210mm 8.27-inch
AMI240

Dimensions and Drawing



Our company network supports you worldwide with offices in Germany, Austria, Switzerland, the UK and the USA.
For more information please contact:

Headquarters

Germany



FORTEC
GROUP

FORTEC Elektronik AG
Augsburger Str. 2b
82110 Germering

Phone: +49 89 894450-0
E-Mail: info@fortecag.de
Internet: www.fortecag.de

Fortec Group Members

Austria



FORTEC
INTEGRATED

FORTEC Integrated GmbH Office Vienna
Nuschinggasse 12
1230 Wien

Phone: +43 1 8673492-0
E-Mail: info@fortec-integrated.de
Internet: www.fortec-integrated.de

Germany



FORTEC
INTEGRATED

FORTEC Integrated GmbH
Augsburger Str. 2b
82110 Germering

Phone: +49 89 894363-0
E-Mail: info@fortec-integrated.de
Internet: www.fortec-integrated.de

Switzerland



FORTEC
SWITZERLAND

FORTEC Switzerland AG
Bahnhofstraße 3
5436 Würenlos

Phone: +41 44 7446111
E-Mail: info@fortec.ch
Internet: www.fortec.ch

United Kingdom



FORTEC
UNITED KINGDOM

FORTEC Technology UK Ltd.
Osprey House, 1 Osprey Court
Hinchingsbrook Business Park
Huntingdon, Cambridgeshire, PE29 6FN

Phone: +44 1480 411600
E-Mail: info@fortec.uk
Internet: www.fortec.uk

USA



 **APOLLO DISPLAY**
TECHNOLOGIES
A FORTEC GROUP MEMBER

Apollo Display Technologies, Corp.
87 Raynor Avenue, Unit 1
Ronkonkoma, NY 11779

Phone: +1 631 5804360
E-Mail: info@apolloDisplays.com
Internet: www.apolloDisplays.com