



OUR GLOBAL
COMPETENCE
CENTRES

 APOLLO DISPLAY
TECHNOLOGIES



FORTEC
INTEGRATED



FORTEC
UNITED KINGDOM



Datasheet

NEXCOM

NDiS B561 / NDiS V561-POE

Visual Edge Computer Powered by 12th Gen Intel® Core™ Processor



Main Features

- Support 12th Gen Intel® Core™ i7/i5/i3 socket type processor
- Intel® PCH Q670E
- Intel® integrated UHD graphic engine driven by Xe architecture
- Support 3 independent 4K@60Hz display output
- HDMI 2.1 resolution can be up to 8K@60Hz
- 1 x HDMI 2.1, 2 x HDMI 2.0
- 8 x USB 3.2
- 1 x RS-232/422/485, 3 x RS232
- 1 x GbE LAN, 2 x 2.5G GbE LAN
- 3 x M.2 socket Key B/E/M

Product Overview

Powered by the 12th Gen Intel® Core™ processor series and Intel® 600 series chipset integrated graphics controller, the NDiS B561 fanless visual edge computer can handle powerful multimedia content. It can be operated in an extended operating temperature range between -20 to 60°C. Moreover, to fully satisfy customers' expectations, there are three 4K2K independent display outputs or up to 8K@60Hz in one display output and rich connectives including 8 x USB 3.2, 3 x LAN ports (including 2 x PoE ports), Wi-Fi 6E and 4G, 5G support. The NDiS B561 can be used for both indoor and out-door applications such as visual edge computing, AI recognition, public transportation, outdoor bus station, and even smart stadium.

Specifications

CPU Support

- 12th Gen Intel® Core™ i7/i5/i3 LGA socket type processor, up to 35W
 - Intel® Core™ i7-12700TE, 12 Core, 1.4GHz, 25M Cache
 - Intel® Core™ i5-12500TE, 6 Core, 1.9GHz, 18M Cache
 - Intel® Core™ i3-12100TE, 4 Core, 2.1GHz, 12M Cache

Chipset

- Intel® PCH Q670E

Graphics

- Intel® UHD graphics 730 series
- Intel® UHD graphics 770 series for i5 and above

Main Memory

- 2 x 262-pin SO-DIMM sockets, support DDR5 4800 MHz non-ECC, un-buffered memory up to 64G (single socket max 32GB)

I/O Interface-Front

- 1 x Power button
- 1 x Power LED, 1 x HDD LED
- 1 x Reset switch
- 2 x USB 3.2
- 4 x DB9 for COM1~COM4
 - COM1: RS-232/422/485
 - COM2~4: RS232
- 3 x Antenna hole

I/O Interface-Rear

- +12~24V DC-in
- 1 x HDMI 2.1 support 8K@60Hz
- 2 x HDMI 2.0 support 4K@60Hz
- 6 x USB 3.2
- 1 x Intel® I219-LM GbE LAN port
- 2 x Intel® I226V 2.5G Ethernet LAN port
- 1 x Mic-in, 1 x Line-out
- 1 x SIM slot*
- * NOTE: NDiS B561 Series is designed with 2x SIM slots. Dual SIM functionality depends on whether the LTE module specification. For example, when using QUECTEL EM06-Emodule, only one SIM card functions either through back-panel slot or internal slot.
- 3 x Antenna hole

I/O Interface-Internal

- 8CH GPIO support 4 x GPO and 4 x GPI
- Onboard TPM 2.0

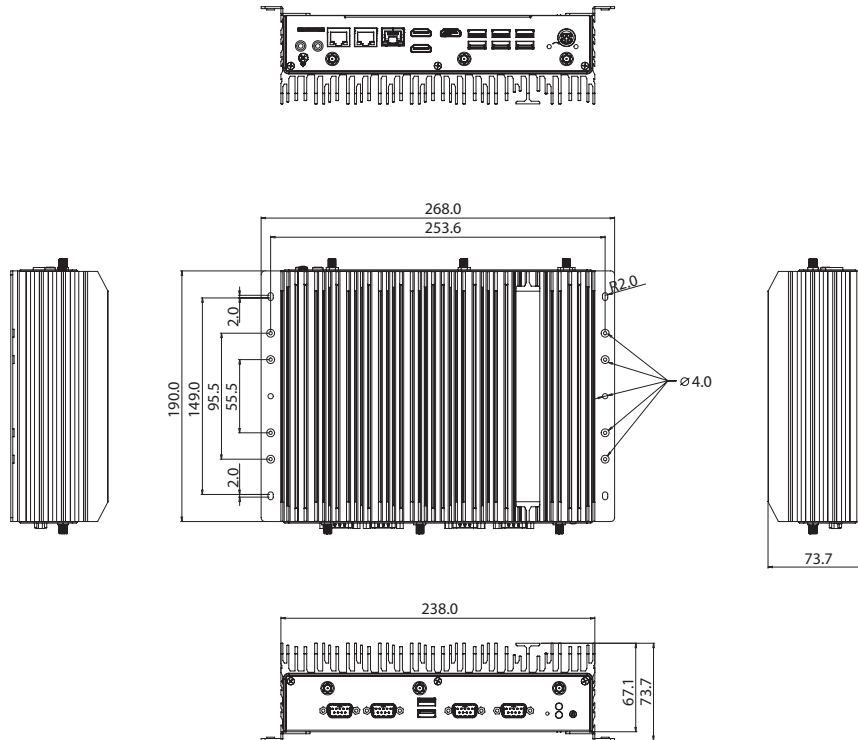
Storage

- 1 x M.2 2280 Key M (PCIe x4) socket (Top side)
- 1 x M.2 2280 Key M (PCIe x4,SATA) socket (Back side)

Environment

- Operating temperature: -20°C to 60°C w/ 0.7m/s air flow
- Storage temperature: -20°C to 80°C
- Humidity: 10 to 95% (non-condensing)

Dimension Drawing



Expansion

- 1 x M.2 2230 Key E (PCIe x2, USB), support optional Wi-Fi modules
- 1 x M.2 3042/3052 Key B (PCIe x1, USB 3.2), support optional 3G, 4G or 5G modules
- 1 x SIM slot*
 - * NOTE: NDiS B561 Series is designed with 2 x SIM slots. Dual SIM functionality depends on whether the LTE module specification. For example, when using QUECTEL EM06-Emodule, only one SIM card functions either through back-panel slot or internal slot.

Power Supply

- 1 x External AC/DC 12V/120W power adapter

Package Information

- 1 pc/carton
- G.W: 4.6kgs
- Dimension: 420 x 275 x 127mm

Certification

- CE Approval (EN55032/55035)
- FCC Class A (Part 15B)

Dimensions

- 238mm (W) x 190mm (D) x 67.1mm (H) w/o bracket

Operating System Support

- Win11/Win10/Linux Kernel

Ordering Information

- **NDiS B561 (P/N: 10W00B56101X0)**
12th Gen Intel® Core™ processor (up to 35W) fanless system, Intel® Q670E chipset



Main Features

- Support 12th Gen Intel® Core™ i7/i5/i3 socket type processor
- Intel® PCH Q670E
- Intel® integrated UHD graphic engine driven by Xe architecture
- Support 3 independent 4K@60Hz display output
- HDMI 2.1 resolution can be up to 8K@60Hz
- 1 x HDMI 2.1, 2 x HDMI 2.0
- 8 x USB 3.2
- 1 x RS-232/422/485, 3 x RS232
- 1 x GbE LAN, 2 x PoE (follow IEEE802.3af std)
- 3 x M.2 socket Key B/E/M

Product Overview

Powered by the 12th Gen Intel® Core™ processor series and Intel® 600 series chipset integrated graphics controller, the NDiS B561-PoE fanless visual edge computer can handle powerful multimedia content. It can be operated in operating temperature range between 0 to 40°C. Moreover, to fully satisfy customers' expectations, there are three 4K2K independent display outputs or up to 8K@60Hz in one display output and rich connectivities including 8 x USB 3.2, 3 x LAN ports (including 2 x PoE ports), Wi-Fi 6E and 4G, 5G support. The NDiS B561-PoE can be used in various applications such as visual edge computing, AI reorganization, smart parking system, public transportation, and security surveillance.

Specifications

CPU Support

- 12th Gen Intel® Core™ i7/i5/i3 LGA socket type processor, up to 35W
 - Intel® Core™ i7-12700TE, 12 Core, 1.4GHz, 25M Cache
 - Intel® Core™ i5-12500TE, 6 Core, 1.9GHz, 18M Cache
 - Intel® Core™ i3-12100TE, 4 Core, 2.1GHz, 12M Cache

Chipset

- Intel® PCH Q670E

Graphics

- Intel® UHD graphics 730 series
- Intel® UHD graphics 770 series for i5 and above

Main Memory

- 2 x 262-pin SO-DIMM sockets, support DDR5 4800 MHz non-ECC, un-buffered memory up to 64G (single socket max 32GB)

I/O Interface-Front

- 1 x Power button
- 1 x Power LED, 1 x HDD LED
- 1 x Reset switch
- 2 x USB 3.2
- 4 x DB9 for COM1~COM4
 - COM1: RS-232/422/485
 - COM2~4: RS232
- 3 x Antenna hole

I/O Interface-Rear

- 24V DC-in
- 1 x HDMI 2.1 support 8K@60Hz
- 2 x HDMI 2.0 support 4K@60Hz
- 6 x USB 3.2
- 1 x Intel® I219-LM GbE LAN port
- 2 x PoE with Intel® I226V 2.5G Ethernet LAN port (follow IEEE802.3af, total up to 30W)
- 1 x Mic-in, 1 x Line-out
- 1 x SIM slot*
 - * NOTE: NDiS B561 Series is designed with 2 x SIM slots. Dual SIM functionality depends on whether the LTE module specification. For example, when using QUECTEL EM06-Emodule, only one SIM card functions either through back-panel slot or internal slot.
- 3 x Antenna hole

I/O Interface-Internal

- 8CH GPIO support 4 x GPO and 4 x GPI
- Onboard TPM 2.0

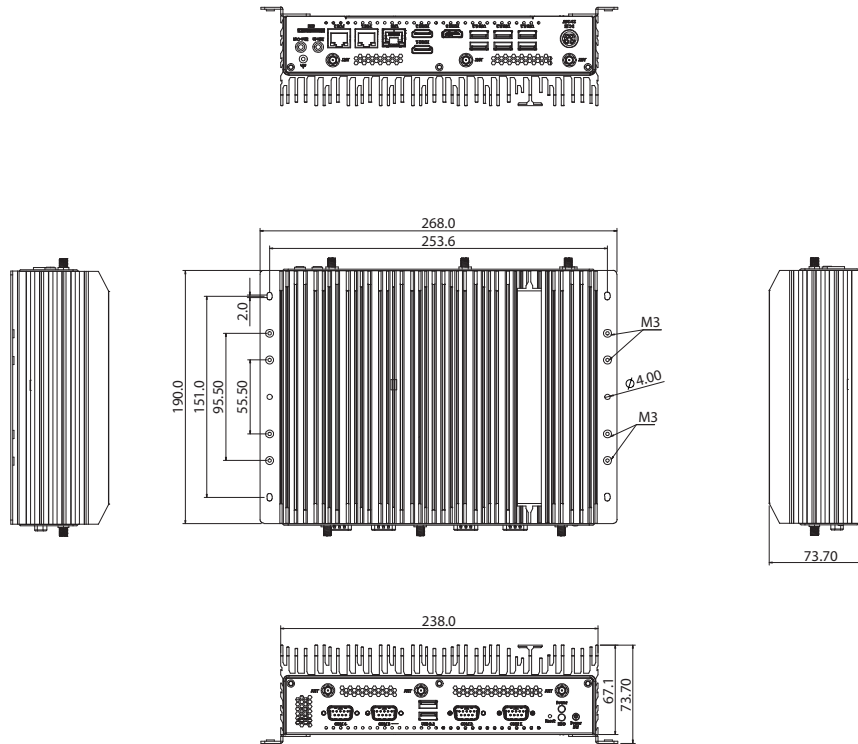
Storage

- 1 x M.2 2280 Key M (PCIe x4) socket (Top side)
- 1 x M.2 2280 Key M (PCIe x4,SATA) socket (Back side)

Environment

- Operating temperature: 0°C to 40°C w/ 0.7m/s air flow
- Storage temperature: -20°C to 80°C
- Humidity: 10 to 95% (non-condensing)

Dimension Drawing



Expansion

- 1 x M.2 2230 Key E (PCIe x2, USB), support optional Wi-Fi modules
- 1 x M.2 3042/3052 Key B (PCIe x1, USB 3.2), support optional 3G, 4G or 5G modules
- 1 x SIM slot*
 - * NOTE: NDIS B561 Series is designed with 2 x SIM slots. Dual SIM functionality depends on whether the LTE module specification. For example, when using QUECTEL EM06-Emodule, only one SIM card functions either through back-panel slot or internal slot.

Power Supply

- 1 x External AC/DC 24V/180W power adapter

Package Information

- 1 pc/carton
- G.W: 4.6kgs
- Dimension: 420 x 275 x 127mm

Certification

- CE Approval (EN55032/55035)
- FCC Class A (Part 15B)

Dimensions

- 238mm (W) x 190mm (D) x 67.1mm (H) w/o bracket

Operating System Support

- Win11/Win10/Linux Kernel

Ordering Information

- **NDIS B561-PoE (PN: 10W00B56102X0)**
12th Gen Intel® Core™ processor (up to 35W) fanless system, Intel® Q670E chipset

Our company network supports you worldwide with offices in Germany, Austria, Switzerland, the UK and the USA. For more information please contact:

Headquarters

Germany



FORTEC
GROUP

FORTEC Elektronik AG
Augsburger Str. 2b
82110 Germering

Phone: +49 89 894450-0
E-Mail: info@fortecag.de
Internet: www.fortecag.de

Fortec Group Members

Austria



FORTEC
INTEGRATED

FORTEC Integrated GmbH Office Vienna
Nuschinggasse 12
1230 Wien

Phone: +43 1 8673492-0
E-Mail: info@fortec-integrated.de
Internet: www.fortec-integrated.de

Germany



FORTEC
INTEGRATED

FORTEC Integrated GmbH
Augsburger Str. 2b
82110 Germering

Phone: +49 89 894363-0
E-Mail: info@fortec-integrated.de
Internet: www.fortec-integrated.de

Switzerland



FORTEC
SWITZERLAND

FORTEC Switzerland AG
Bahnhofstraße 3
5436 Würenlos

Phone: +41 44 7446111
E-Mail: info@fortec.ch
Internet: www.fortec.ch

United Kingdom



FORTEC
UNITED KINGDOM

FORTEC Technology UK Ltd.
Osprey House, 1 Osprey Court
Hinchingbrooke Business Park
Huntingdon, Cambridgeshire, PE29 6FN

Phone: +44 1480 411600
E-Mail: info@fortec.uk
Internet: www.fortec.uk

USA



 **APOLLO DISPLAY**
TECHNOLOGIES
A FORTEC GROUP MEMBER

Apollo Display Technologies, Corp.
87 Raynor Avenue, Unit 1
Ronkonkoma, NY 11779

Phone: +1 631 5804360
E-Mail: info@apolloDisplays.com
Internet: www.apolloDisplays.com