



OUR GLOBAL  
COMPETENCE  
CENTRES

 APOLLO DISPLAY  
TECHNOLOGIES



 DISTEC



 DISPLAY  
TECHNOLOGY



# Datasheet

## NEXCOM

### Neu-X101

Edge Computing System Powered by Intel® Apollo Lake J3455 Processor



---

The information contained in this document has been carefully researched and is, to the best of our knowledge, accurate. However, we assume no liability for any product failures or damages, immediate or consequential, resulting from the use of the information provided herein. Our products are not intended for use in systems in which failures of product could result in personal injury. All trademarks mentioned herein are property of their respective owners. All specifications are subject to change without notice.

---



## Main Features

- Intel® Apollo Lake J3455 processor
- Slim chassis design
- Support 2 x HDMI 1.4b output
- Support power input 12 VDC
- Fanless design
- 1 x DDR3L up to 8GB, M.2 2242 Key M for storage device
- mini-PCIe slot support Wi-Fi and LTE module

## Product Overview

Powered by Intel® Apollo Lake processor, the Neu-X101 fanless embedded player can handle 2 independence display output. The Neu-X101 supports HDMI display, USB 3.0 ports, and a RS232/RS422/RS485 interface, is an ideal embedded player to optimize information visualization, convey brand messages, customer engagement, and smart retail management efficiencies to increase in-store traffic and sales. Also could be applicable as gateway for smart city. The slim fanless design with extended durability further covers usages like endless aisles, QSRs, drive-thru kiosks, bus stops, digital transit information signs, and information stands.

## Specifications

### CPU Support

- Intel® Apollo Lake J3455 processor (2.30GHz, 10W)

### Graphic & Display

- Intel® HD Graphics 500

### Main Memory

- 1 x 204-pin SO-DIMM socket, support up to DDR3L 1866MHz, non-ECC, un-buffered memory up to 8GB

### I/O Interface-Front

- 2 x RJ45 with LEDs for Gigabit LAN
- 2 x HDMI 1.4b, resolution 3840 x 2160 30Hz
- 2 x USB 3.0
- 2 x USB 2.0
- 1 x Power button with LED
- 1 x DC-in Jack with lock

### I/O Interface-Rear

- 2 x Antenna hole
- 1 x COM port (RS232/RS422/RS485)
- 1 x Storage active LED

### Internal I/O

- 1 x COM port connector (RS232, RI/5V/12V)
- 1 x TPM module connector
- 1 x Line-out audio connector

### Expansion

- 1 x mini-PCIe full-size connector with SIM slot (nano) onboard, support Wi-Fi/LTE module

### Storage

- 1 x M.2 2242 Key M

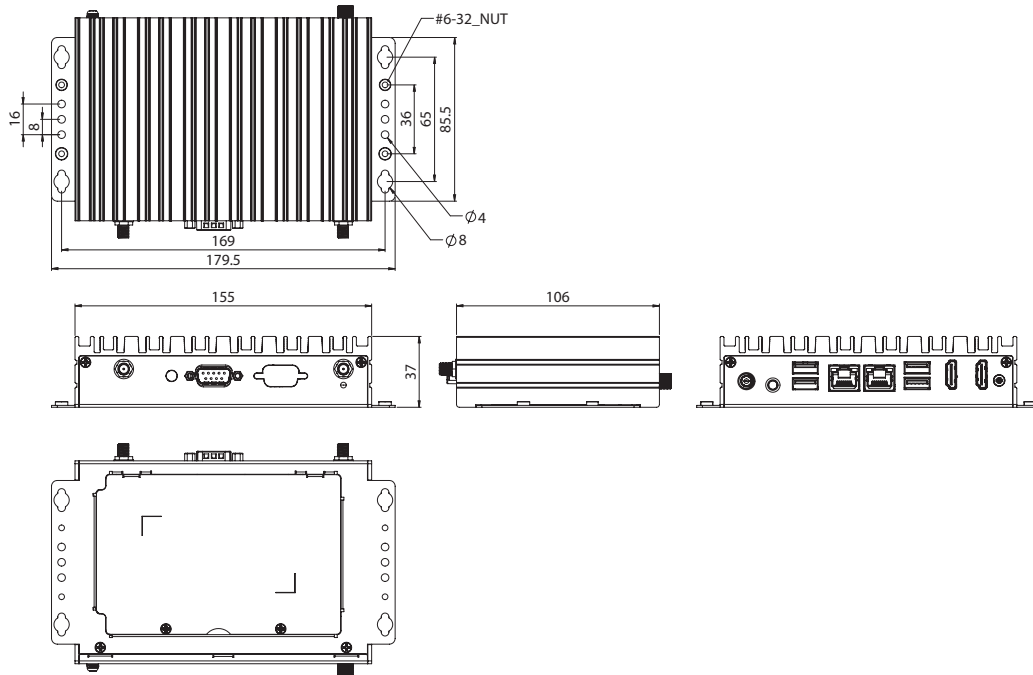
### Power Supply

- 1 x External 60W AC/DC power adapter (power adapter is included in accessory)
- Input: 100VAC to 240VAC
- Output: DC+12VDC

### Environment

- Operating temperature: -5°C to 50°C ambient with air flow
- Humidity: 95% (non-condensing)
- Storage temperature: -20°C to 80°C
- Shock protection: 50G peak acceleration, 11ms according to

## Dimension Drawing



- IEC60068-2-27
- Vibration protection
  - Random: 2Grms @ 5~500 Hz, IEC60068-2-64
  - Sinusoidal: 2G @ 5~500 Hz, IEC60068-2-6

### Mechanical & Dimension

- Aluminum and metal chassis with fanless design
- 155mm (W) x 106mm (D) x 37mm (H)

### Certification

- CE (EN55035 + EN55032)
- FCC Class A (EMI part 15B)
- LVD (EN62368-1)

### Operating System

- Win10 64-bit
- Linu x 4.1

## Ordering Information

- ♦ **Neu-X101 (P/N: 10W10X10100X0)**  
Intel® Apollo Lake J3455 processor slim and fanless system

### AI Booster Card

- ♦ **AIBooster®-X1 (P/N: 88W10X10000X0)**  
Intel® Movidius™ Myriad™ X VPU, mini-PCIe module (1 x MA2485)
- ♦ **AIBooster®-X2 (P/N: 88W10X10001X0)**  
Intel® Movidius™ Myriad™ X VPU, mini-PCIe module (2 x MA2485)

Our company network supports you worldwide with offices in Germany, Austria, Switzerland, the UK and the USA. For more information please contact:

## Headquarters

### Germany



### FORTEC Elektronik AG

Augsburger Str. 2b  
82110 Germering

Phone: +49 89 894450-0  
E-Mail: [info@forteca.de](mailto:info@forteca.de)  
Internet: [www.forteca.de](http://www.forteca.de)

## Fortec Group Members

### Austria



### Distec GmbH Office Vienna

Nuschinggasse 12  
1230 Wien

Phone: +43 1 8673492-0  
E-Mail: [info@distec.de](mailto:info@distec.de)  
Internet: [www.distec.de](http://www.distec.de)

### Germany



### Distec GmbH

Augsburger Str. 2b  
82110 Germering

Phone: +49 89 894363-0  
E-Mail: [info@distec.de](mailto:info@distec.de)  
Internet: [www.distec.de](http://www.distec.de)

### Switzerland



### ALTRAC AG

Bahnhofstraße 3  
5436 Würenlos

Phone: +41 44 7446111  
E-Mail: [info@altrac.ch](mailto:info@altrac.ch)  
Internet: [www.altrac.ch](http://www.altrac.ch)

### United Kingdom



### Display Technology Ltd.

Osprey House, 1 Osprey Court  
Hinchingsbrooke Business Park  
Huntingdon, Cambridgeshire, PE29 6FN

Phone: +44 1480 411600  
E-Mail: [info@displaytechnology.co.uk](mailto:info@displaytechnology.co.uk)  
Internet: [www.displaytechnology.co.uk](http://www.displaytechnology.co.uk)

### USA



### Apollo Display Technologies, Corp.

87 Raynor Avenue, Unit 1  
Ronkonkoma, NY 11779

Phone: +1 631 5804360  
E-Mail: [info@apolloDisplays.com](mailto:info@apolloDisplays.com)  
Internet: [www.apolloDisplays.com](http://www.apolloDisplays.com)