



OUR GLOBAL  
COMPETENCE  
CENTRES

 APOLLO DISPLAY  
TECHNOLOGIES



**FORTEC**  
INTEGRATED



**FORTEC**  
UNITED KINGDOM



# Datasheet

## **NEXCOM**

### **Neu-X303**

Edge Computing System

Powered by 12th Gen Intel® Core™ Processor



## Main Features

- 12th Gen Intel® Core™ (Alder Lake - PS) processor SoC
- 4 x 4K@60Hz display output, DP, HDMI 2.1 and 2 x USB 3.2 Type-C
- Dual 2.5G LAN ports, 4 x USB 3.2 and 2 x USB 3.2 Type-C ports for easy connection
- Onboard M.2 2280 Key M with PCIe signal for storage modules
- Onboard M.2 2230 Key E for optional Wi-Fi modules
- Compact design
- 12V DC in

## Product Overview

Powered by the latest 12th Gen Intel® Core™ (Alder Lake-PS) processor, the Neu-X303 series edge computing system can handle very rich multimedia contents. With Intel® processor's low power consumption and new Intel® Iris® Xe graphics, the platform delivers powerful graphics offering stunning visuals for compelling 4K content creation and media playback. In addition, the Neu-X303 series supports display output by HDMI and DP ports with flexible integration for various peripherals such as touchscreen displays, scanners, readers, and many more. Neu-X303 is a compact edge computing system with ample IOs including 2 LAN ports, 4 USB ports, and 2 USB Type-C ports to support intelligent vending machine, self-service checkout machine, AI facial recognition, or digital transit information signs. With enhanced performance, it is also ideal as a visual edge computer delivering advertising, hospitality, and brand promotion applications in an all-new immersive experience.

## Specifications

### CPU Support

- Intel® Core™ i7-1265UL, 10 Core, 1.8GHz, 12M Cache
- Intel® Core™ i7-1255UL, 10 Core, 1.7GHz, 12M Cache
- Intel® Core™ i5-1245UL, 10 Core, 1.6GHz, 12M Cache
- Intel® Core™ i5-1235UL, 10 Core, 1.3GHz, 12M Cache
- Intel® Core™ i3-1215UL, 6 Core, 1.2GHz, 10M Cache

### Chipset & Memory

- SoC (codenamed Alder Lake-PS)

### Main Memory

- 2 x 262-pin DDR5 SO-DIMM, supports non-ECC, un-buffered memory
- up to 64G

### Graphics & Display

- Intel® Iris® Xe graphics engine
- 1 x DP, support 4096 x 2304@60Hz
- 2 x DisplayPort over USB Type-C, support 4096 x 2304@60Hz
- 1 x HDMI 2.1, support 7680 x 4320@60Hz

### I/O Interface-Front

- 1 x Power button
- 1 x HDD LED

### I/O Interface-Rear

- 2 x RJ45 Intel® 2.5G Gigabit LAN port
  - 1 x Intel® I225-LM
  - 1 x Intel® I225v
- 1 x DP
- 1 x HDMI 2.1
- 4 x USB 3.2
- 2 x USB Type-C
- 1 x 12V DC input
- 2 x Antenna hole for Wi-Fi

### I/O Interface-Internal

- 1 x USB 2.0 header
- 1 x RS232 header (9-pin)
- TPM 2.0 onboard

### Storage

- 1 x M.2 2280 Key M (PCIe x4 only), support optional storage modules

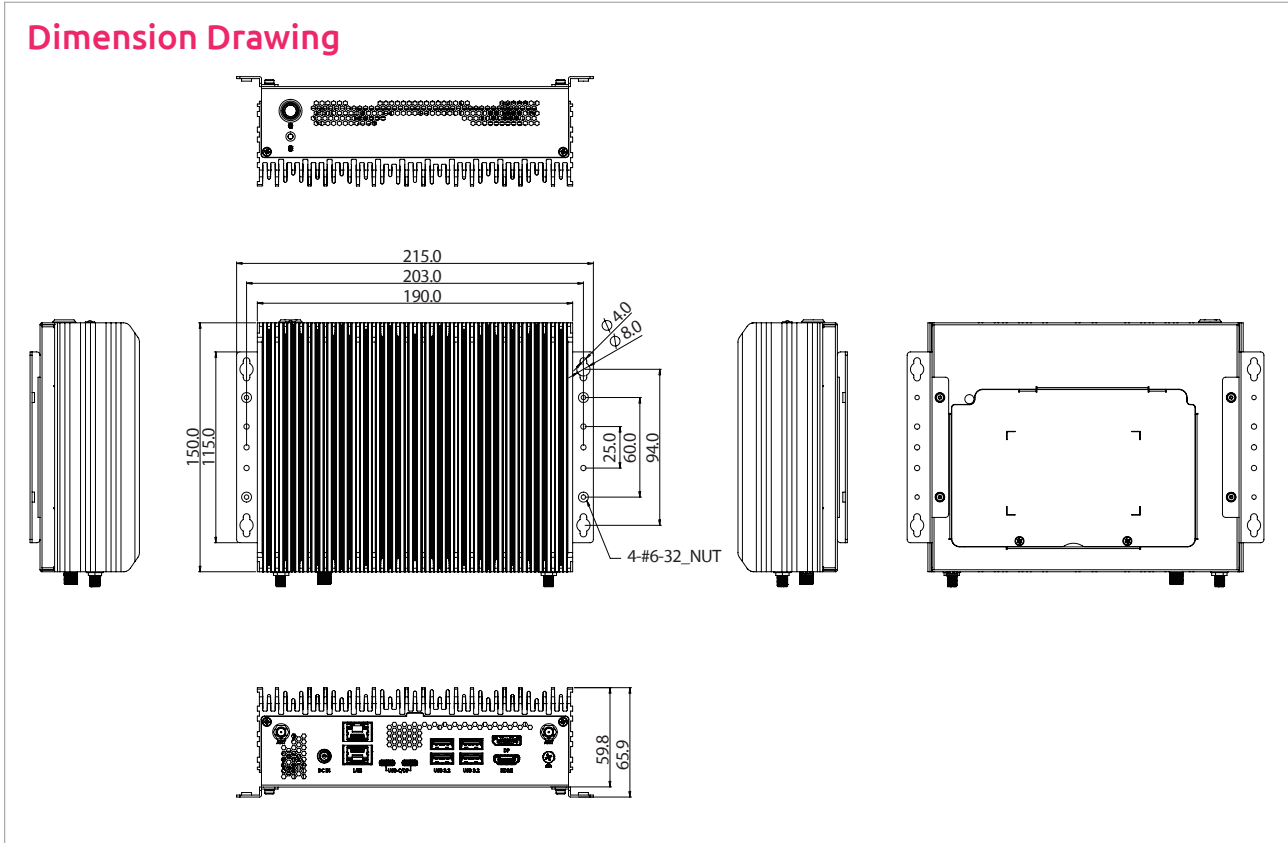
### Expansion

- 1 x M.2 2230 Key E (PCIe x1), support optional Wi-Fi modules

### Power Requirements

- Power input: 12V DC

## Dimension Drawing



### Environment

- Operating temperature: 0°C to 50°C, ambient with 0.7m/s air flow
- Storage temperature: -40°C to 80°C
- Humidity: 10 to 95% (non-condensing)
- Shock protection: 50G peak acceleration, 11ms according to IEC-60068-2-27
- Vibration protection:
  - Random: 2G rms@5~500Hz, IEC60068-2-64
  - Sinusoidal: 2G@5~500Hz, IEC60068-2-6

### Certification

- CE (EMC EN55032+EN55035)
- FCC Class A (EMI part 15B)

### Dimensions

- 190mm (W) x 150mm (D) x 59.8mm (H) (without wall mount bracket)

### Operating System

- Windows 10 21H2/Windows 11 21H2/Linux

## Ordering Information

- **Neu-X303 (P/N: 10W10X30301X0)**

Socket LGA1700, 12th Gen Intel® Core™ i7/i5/i3 processor compact system, 12V DC

Our company network supports you worldwide with offices in Germany, Austria, Switzerland, the UK and the USA. For more information please contact:

## Headquarters

Germany



**FORTEC**  
GROUP

FORTEC Elektronik AG  
Augsburger Str. 2b  
82110 Germering

Phone: +49 89 894450-0  
E-Mail: [info@fortecag.de](mailto:info@fortecag.de)  
Internet: [www.fortecag.de](http://www.fortecag.de)

---

## Fortec Group Members

Austria



**FORTEC**  
INTEGRATED

FORTEC Integrated GmbH Office Vienna  
Nuschinggasse 12  
1230 Wien

Phone: +43 1 8673492-0  
E-Mail: [info@fortec-integrated.de](mailto:info@fortec-integrated.de)  
Internet: [www.fortec-integrated.de](http://www.fortec-integrated.de)

Germany



**FORTEC**  
INTEGRATED

FORTEC Integrated GmbH  
Augsburger Str. 2b  
82110 Germering

Phone: +49 89 894363-0  
E-Mail: [info@fortec-integrated.de](mailto:info@fortec-integrated.de)  
Internet: [www.fortec-integrated.de](http://www.fortec-integrated.de)

Switzerland



**FORTEC**  
SWITZERLAND

FORTEC Switzerland AG  
Bahnhofstraße 3  
5436 Würenlos

Phone: +41 44 7446111  
E-Mail: [info@fortec.ch](mailto:info@fortec.ch)  
Internet: [www.fortec.ch](http://www.fortec.ch)

United Kingdom



**FORTEC**  
UNITED KINGDOM

FORTEC Technology UK Ltd.  
Osprey House, 1 Osprey Court  
Hinchingbrooke Business Park  
Huntingdon, Cambridgeshire, PE29 6FN

Phone: +44 1480 411600  
E-Mail: [info@fortec.uk](mailto:info@fortec.uk)  
Internet: [www.fortec.uk](http://www.fortec.uk)

USA



 **APOLLO DISPLAY**  
**TECHNOLOGIES**  
A FORTEC GROUP MEMBER

Apollo Display Technologies, Corp.  
87 Raynor Avenue, Unit 1  
Ronkonkoma, NY 11779

Phone: +1 631 5804360  
E-Mail: [info@apolloDisplays.com](mailto:info@apolloDisplays.com)  
Internet: [www.apolloDisplays.com](http://www.apolloDisplays.com)