



OUR GLOBAL
COMPETENCE
CENTRES

 APOLLO DISPLAY
TECHNOLOGIES



 DISTEC



 DISPLAY
TECHNOLOGY



Manual

Avalue

CAXA0

10.1" Semi-Rugged Tablet with Intel® Celeron® Processor N3350 / N4200



The information contained in this document has been carefully researched and is, to the best of our knowledge, accurate. However, we assume no liability for any product failures or damages, immediate or consequential, resulting from the use of the information provided herein. Our products are not intended for use in systems in which failures of product could result in personal injury. All trademarks mentioned herein are property of their respective owners. All specifications are subject to change without notice.

CAXA0 Rugged Tablet User Manual

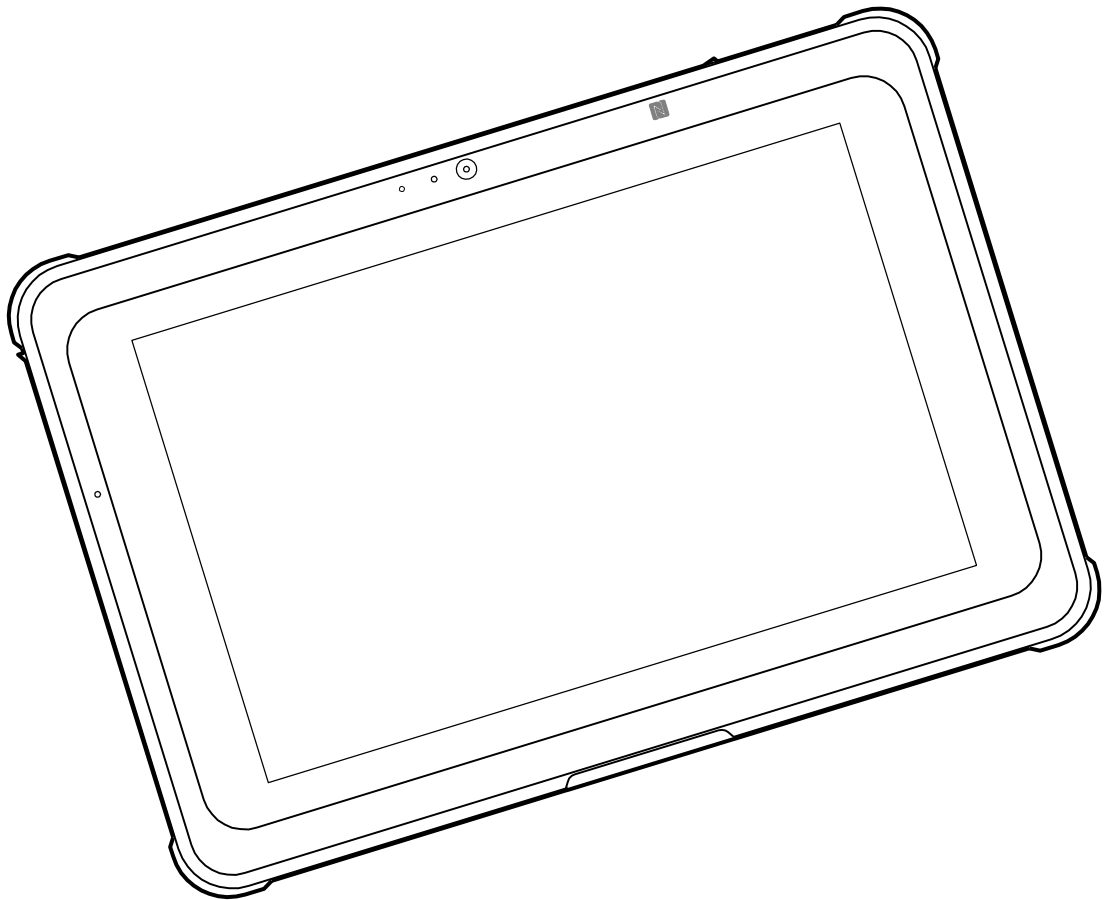


TABLE OF CONTENTS

Safety Precautions and Usage Notes	4
Regulatory Information.....	9
Federal Communication Commission Interference Statement	10
FOR PORTABLE DEVICE USAGE (<20cm from body/SAR needed).....	12
Industry Canada statement	12
FOR PORTABLE DEVICE (<20cm from body / SAR needed)	13
FOR WLAN 5GHZ DEVICE:	13
Tablet Usage.....	15
Your Tablet	17
Package Contents	17
Tablet Overview.....	18
Front View.....	18
Right View.....	19
Left View	20
Rear View	21
Top View	22
Bottom View	23
Getting Started	24
Battery Status Indicator.....	24
Charging the Tablet.....	25
Powering On/Off the Tablet	26
Turning On/Off the Display.....	27
Removing and Securing Port Covers	27
Operating Your Tablet.....	28
SmartCard Reader (Optional).....	28
NFC Sensor.....	29
Barcode Scanner (Optional).....	30
Entering the BIOS Menu	31
Replacing the Battery	32
Battery Removal and Replacement.....	32
Table Top Docking (Optional)	34

Wall Mounting.....	35
Removing from Wall Mounting Station	38
Care and Maintenance	42
Environmental Guidelines	42
General Guidelines.....	43
Cleaning Guidelines.....	43
Battery Guidelines.....	44
Touchscreen Guidelines.....	45
Troubleshooting.....	46
Battery Issues.....	46
Bluetooth Issues	46
Display Issues	47
Display Notes	47
Hardware Issues.....	48
Power Management Issues	48
Sensor Issues (for Windows 10 Models Only).....	48
Software Issues	49
Software Note	49
Audio Issues.....	49
Startup Issues	49
Wi-Fi Issues	50
Miscellaneous Issues.....	51
Specifications.....	52

Version 1.0

Safety Precautions and Usage Notes

To reduce the risk of injury, loss of life, electric shock, fire, malfunction, and damage to equipment or property, always observe the following safety guidelines:



DANGER:

Precautions on the Battery:

Failure to comply with the following precautions may result in electrolyte leakage, generation of heat, ignition or rupture.

- Avoid placing the battery in extreme heat (for example near fire or in direct sunlight). DO NOT throw the battery into a fire or expose it to excessive heat.
- When the battery has deteriorated, replace it with a new one.
- The battery is rechargeable and intended for the specified product. DO NOT use with any other products.
- Use only the specified battery with your tablet. Use of batteries other than those supplied by the manufacturer may present a safety hazard.



WARNING:

If a malfunction or trouble occurs, immediately stop using the product, power off and unplug the AC adapter, and then remove the battery. Then contact technical support for repair.



WARNING: Failure to comply with the following precautions may result in electric shock.

- DO NOT pull or insert the power adapter if your hands are wet.
- DO NOT connect the power adapter to a power source other than a 100-240 volts AC outlet. Connecting to a DC/AC converter (inverter) may damage the power adapter.
- Plug the power supply into an electrical outlet completely. DO NOT use a damaged plug or loose AC outlet.
- Hold the plug when unplugging the power supply.

**WARNING:**

- DO NOT turn the volume up too loud when using headphones.
- DO NOT use this product with exposed in a hot or cold environment for a long period of time, low-temperature burns or frost-bite may result. When it is necessary to expose the skin to this product such as to perform the operation, operate it in the shortest amount of time possible.
- DO NOT expose bare skin to this product when handling this unit in extreme hot or cold environments.
- Use of this equipment adjacent to or stacked with other equipment should be avoided because it could result in improper operation. If such use is necessary, it should be first verified that this equipment and the other equipment can operate this way normally.
- The Tablet PC can get uncomfortably warm when you use it in high temperatures. As a safety precaution in such a circumstance, DO NOT place the Tablet PC on your lap or touch it with your bare hands for extended periods of time. Prolonged body contact can cause discomfort and potentially a burn.

**CAUTION:**

- When using in a hot or cold environment, some peripherals and battery packs may fail to work properly. Check the operation environment of the peripherals before operating the product.
- Using this product continuously in a hot environment will shorten the product life. Avoid use in these types of environments.
- When using in low temperature environment, startup may become slow or battery operation time may become short. The tablet consumes power when the flash memory is warming up during startup. Therefore, if you are using battery power and the remaining power is low, the tablet may not start up.
- If you cannot power on the tablet, or the tablet does not resume from sleep. Leave it in an environment of 0 ~ 40°C for about an hour, and then power it on again.
- DO NOT use this product if connected with the AC adapter connected during a thunderstorm.

- DO NOT place this product near any magnetic objects.



The icon above is included on the device's rating label, indicating that the user should consult the device's user manual before usage.



ESD WARNING:

Electrostatic discharge:

Electrostatic discharge is the sudden flow of electricity between two electrically charged objects caused by contact. The product may be damaged when it comes in contact with your hand or other objects with built-up static electricity.

Please take note of the following items to prevent damaging your product or losing important data:

- Please make sure the product is grounded properly when disconnecting the power source.
- Before installing a component, please place the component inside an anti-static container.
- Avoid touching the product's pins, leads, or electronic components.

- Please use non-magnetic tools when installing a component.
- Before handling a component, please touch a conductive metal surface to discharge the static electricity from your body.
- After removing a component, please store the component inside an anti-static container.

Camera Notes :

The camera's autofocus function may not perform as expected in the following circumstances.

- The subject is very dark.
- The subject lacks contrast (e.g. the sky, a white wall, etc.) or there is little contrast between the subject and the surroundings (e.g. the subject is standing in front of a white wall while wearing a white shirt).
- Objects of sharply differing brightness are included in the scene (e.g. the sun is behind the subject and the subject is in deep shadow).
- The subject is a flat object with only horizontal lines.
- The subject is a fast-moving object.
- The scene is poorly lit.
- The scene features bright reflections or backlighting.
- The scene features flickering objects (e.g. fluorescent lights).
- The scene features point light sources (e.g. light bulbs, spotlights, or LEDs).
- The scene features several objects that are different distances from the camera.

In these circumstances where the camera is unable to focus, point the camera at another object at the same distance as the camera from the subject, then wait for the camera to focus and take the picture.

Battery Notes :

It's important to store battery properly for extended periods of time to avoid battery damage. When you read about your tablet's battery below, keep these things in mind:

- The environmental temperature affects the storage life of the battery. Cool are the best, and are assumed for the estimates below.
- All storage times are based on starting with the battery charged to 30%.
- For tablets with removable batteries, you should remove the batteries and store them in a cool location.

Attention

The product that you have purchased contains a rechargeable battery. The battery is recyclable. At the end of its useful life, under various state and local laws, it may be illegal to dispose of this battery into the municipal waste stream. Check with your local solid waste officials for details in your area for recycling options or proper disposal.

Review the security aspects in the instruction of the loaded applications.

Regulatory Information

**CAUTION:**

Do not operate this personal computer or handheld computer's incorporated wireless WAN modem in the presence of flammable gases or fumes. Switch off the cellular terminal when you are near petrol stations, fuel depots, chemical plants or where blasting operations are in progress. Operation of any electrical equipment in potentially explosive atmospheres can constitute a safety hazard.

**CAUTION:**

An explosion from incorrect installation or misapplication of the battery or if the battery is replaced by an incorrect type may occur. Dispose of used batteries according to the local law.

CE Declaration of Conformity

RED Directive(2014/53/EU)

LVD Directive(2014/35/EU)

EMC Directive(2014/30/EU)

WEEE Directive(2012/19/EU)

RoHS (2002/95/EC)



The product has been marked with the CE Mark to illustrate its compliance.

Specific Absorption Rate (ICNIRP)

YOUR DEVICE MEETS INTERNATIONAL GUIDELINES FOR EXPOSURE TO RADIO WAVES.

Your device is a radio transmitter and receiver. It is designed not to exceed the limits for exposure to radio waves (radio frequency electromagnetic fields) recommended by international guidelines. The guidelines were developed by an independent scientific organization (ICNIRP) and include a substantial safety margin designed to assure the safety of all persons, regardless of age and health.

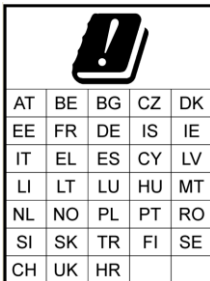
The radio wave exposure guidelines use a unit of measurement known as the Specific Absorption Rate, or SAR. The SAR limit for mobile devices is 2W/kg. Tests for SAR are conducted using standard operating positions with the device transmitting at its highest certified power level in all tested frequency bands. The highest SAR values under the ICNIRP guidelines for your device are listed at the end of this page.

During use, the actual SAR values for your device are usually well below the values stated. This is because, for purposes of system efficiency and to minimize interference on the network, the operating power of your mobile device is automatically decreased when full power is not needed for the data connection. The lower the power output of the device, the lower its SAR value. If you are interested in further reducing your RF exposure then you can easily do so by limiting your usage or simply keeping the device away from the body.

SAR is measured with the device at 0 mm to the body, while transmitting at the highest certified output power level in all frequency bands of the device. The maximum SAR value is 0.37 W/kg (head/body) averaged over 10 gram of tissue.

This equipment should be installed and operated with a minimum distance of 0 cm between the radiator and your body.

EU Frequency band restriction:



NOTE: Products that can operate in the 5150MHz to 5350MHz are intended for indoor usage only.

Federal Communication Commission Interference Statement

This device complies with Part 15 of the FCC Rules. Operation is subject to the following two conditions: (1) This device may not cause harmful interference, and (2) this device must accept any interference received, including interference that may cause undesired operation.

This equipment has been tested and found to comply with the limits for a Class B digital device, pursuant to Part 15 of the FCC Rules. These limits are designed to provide reasonable protection against harmful interference in a residential installation. This equipment generates, uses and can

radiate radio frequency energy and, if not installed and used in accordance with the instructions, may cause harmful interference to radio communications. However, there is no guarantee that interference will not occur in a particular installation. If this equipment does cause harmful interference to radio or television reception, which can be determined by turning the equipment off and on, the user is encouraged to try to correct the interference by one of the following measures:

- Reorient or relocate the receiving antenna.
- Increase the separation between the equipment and receiver.
- Connect the equipment into an outlet on a circuit different from that to which the receiver is connected.
- Consult the dealer or an experienced radio/TV technician for help.

FCC Caution:

- Any changes or modifications not expressly approved by the party responsible for compliance could void the user's authority to operate this equipment.
- This transmitter must not be co-located or operating in conjunction with any other antenna or transmitter.

FOR PORTABLE DEVICE USAGE (<20cm from body/SAR needed)

Radiation Exposure Statement:

This device meets the government's requirements for exposure to radio waves.

This device is designed and manufactured not to exceed the emission limits for exposure to radio frequency (RF) energy set by the Federal Communications Commission of the U.S. Government. The exposure standard for wireless device employs a unit of measurement known as the Specific Absorption Rate, or SAR. The SAR limit set by the FCC is 1.6W/kg. *Tests for SAR are conducted using standard operating positions accepted by the FCC with the device transmitting at its highest certified power level in all tested frequency bands.

Industry Canada statement

1. This device complies with Industry Canada license-exempt RSS standard(s). Operation is subject to the following two conditions:
 - 1) This device may not cause interference, and
 - 2) This device must accept any interference, including interference that may cause undesired operation of the device.
2. Le présent appareil est conforme aux CNR d'Industrie Canada applicables aux appareils radio exempts de licence. L'exploitation est autorisée aux deux conditions suivantes:
 - 1) l'appareil ne doit pas produire de brouillage, et
 - 2) l'utilisateur de l'appareil doit accepter tout brouillage radioélectrique subi, même si le brouillage est susceptible d'en compromettre le fonctionnement.
3. This Class B digital apparatus complies with Canadian ICES-003.
Cet appareil numérique de la classe B est conforme à la norme NMB-003 du Canada.
4. This device and its antenna(s) must not be co-located or operating in conjunction with any other antenna or transmitter, except tested built-in radios.
Cet appareil et son antenne ne doivent pas être situés ou fonctionner en conjonction avec une autre antenne ou un autre émetteur, exception faites des radios intégrées qui ont été testées.
5. The County Code Selection feature is disabled for products marketed in the US/ Canada.
La fonction de sélection de l'indicatif du pays est désactivée pour les produits commercialisés aux États-Unis et au Canada.

FOR PORTABLE DEVICE (<20cm from body / SAR needed)

Radiation Exposure Statement:

The product comply with the Canada portable RF exposure limit set forth for an uncontrolled environment and are safe for intended operation as described in this manual. The further RF exposure reduction can be achieved if the product can be kept as far as possible from the user body or set the device to lower output power if such function is available.

Déclaration d'exposition aux radiations:

Le produit est conforme aux limites d'exposition pour les appareils portables RF pour les Etats-Unis et le Canada établies pour un environnement non contrôlé.

Le produit est sûr pour un fonctionnement tel que décrit dans ce manuel. La réduction aux expositions RF peut être augmentée si l'appareil peut être conservé aussi loin que possible du corps de l'utilisateur ou que le dispositif est réglé sur la puissance de sortie la plus faible si une telle fonction est disponible.

FOR WLAN 5GHZ DEVICE:

Caution:

1. the device for operation in the band 5150-5250 MHz is only for indoor use to reduce the potential for harmful interference to co-channel mobile satellite systems;
2. the maximum antenna gain permitted for devices in the bands 5250-5350 MHz and 5470-5725 MHz shall comply with the e.i.r.p. limit; and
3. the maximum antenna gain permitted for devices in the band 5725-5825 MHz shall comply with the e.i.r.p. limits specified for point-to-point and non point-to-point operation as appropriate.
4. the worst-case tilt angle(s) necessary to remain compliant with the e.i.r.p. elevation mask requirement set forth in Section 6.2.2(3) shall be clearly indicated.
5. Users should also be advised that high-power radars are allocated as primary users (i.e. priority users) of the bands 5250-5350 MHz and 5650-5850 MHz and that these radars could cause interference and/or damage to LE-LAN devices.

Avertissement:

1. les dispositifs fonctionnant dans la bande 5150-5250 MHz sont réservés uniquement pour une utilisation à l'intérieur afin de réduire les risques de brouillage préjudiciable aux systèmes de satellites mobiles utilisant les mêmes canaux;
2. le gain maximal d'antenne permis pour les dispositifs utilisant les bandes 5250-5350 MHz et 5470-5725 MHz doit se conformer à la limite de p.i.r.e.;
3. le gain maximal d'antenne permis (pour les dispositifs utilisant la bande 5725-5825 MHz) doit se conformer à la limite de p.i.r.e. spécifiée pour l'exploitation point à point et non point à point, selon le cas.
4. les pires angles d'inclinaison nécessaires pour rester conforme à l'exigence de la p.i.r.e. applicable au masque d'élévation, et énoncée à la section 6.2.2 3), doivent être clairement indiqués.
5. De plus, les utilisateurs devraient aussi être avisés que les utilisateurs de radars de haute puissance sont désignés utilisateurs principaux (c.-à-d., qu'ils ont la priorité) pour les bandes 5250-5350 MHz et 5650-5850 MHz et que ces radars pourraient causer du brouillage et/ou des dommages aux dispositifs LAN-EL.

Tablet Usage

CAXA0 is designed for healthcare settings with various possible applications listed below:

- **Designed for health care professionals**

Health care professionals, such as doctors and nurses can use the tablet to access and maintain their patients' records anywhere on-site. Patient data can be transmitted in real-time via Wi-Fi to the hospital's information management system to be stored.

- **Accuracy of information**

Using the tablet's barcode scanner or NFC sensor (with appropriate software*), hospital staff can access data by scanning their patients' wristbands and barcode/NFC tags attached to their medication, thus instantaneously verifying the patient's identification and his/her matching medication. This helps eliminate errors that may occur when data is hand-written and manually entered into the computer system.

- **Patient communication and information gathering**

During their rounds in the hospital, doctors/nurses can use the tablet to show visual information to the patients for better understanding and communication. Using the tablet's cameras, doctors/nurses can also take on-the-spot photos for information gathering purposes.

- **Confidentiality and security**

Since hospitals are responsible for protecting electronic health records, specific hardware features on the tablet (with appropriate software*), allow hospitals to utilize barcode scanning, or NFC scanning in their staff authentication process. Beyond the use of passwords, this additional layer of authentication ensures the security of the hospital's health information management system.

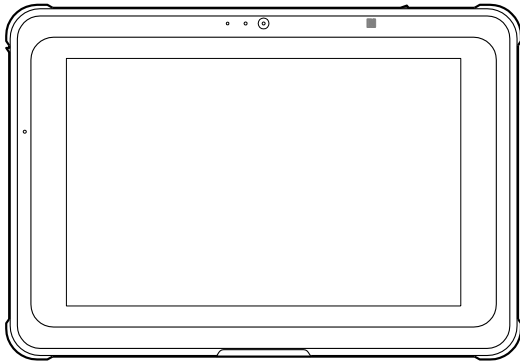
- **Emergency medical service usage**

*In cases of emergency, emergency services personnel can use the tablet on-site to record the patient's physical condition and instantly transmit the data back to the hospital over a wireless network. The patient's information can then be logged before the patient arrives the hospital. **NOTE:** * "Appropriate software" means applications developed by the hospital's internal staff or a third-party.*

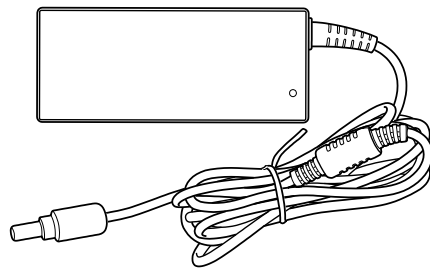
Your Tablet

Package Contents

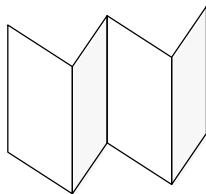
Ensure that all of the proper items are included with the tablet in the packaging. The items that should be included in the packaging are:



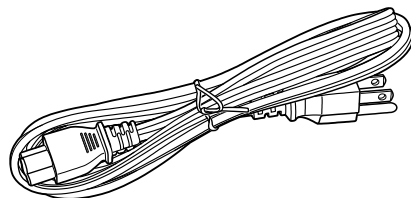
Tablet



Power Adapter



Quick Start Guide



Power Cord

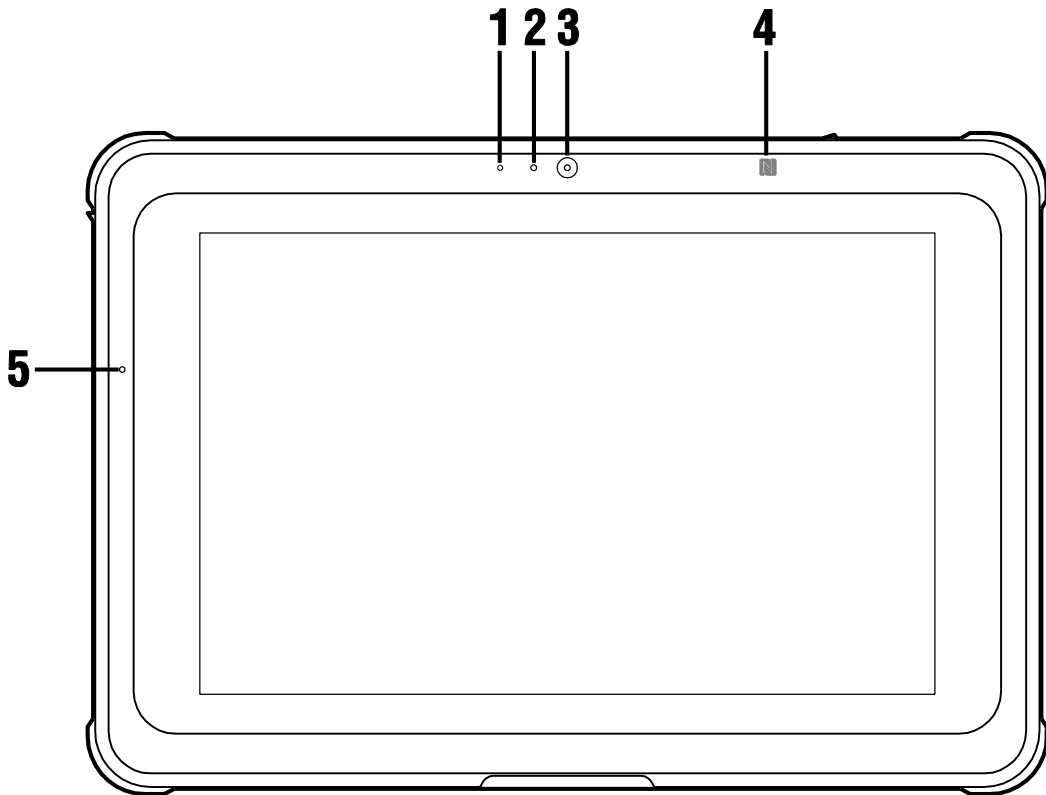
If any items are damaged or missing upon inspection, contact your dealer.

NOTE: The image is for illustrative purposes only and may differ from the actual product.

Tablet Overview

Front View

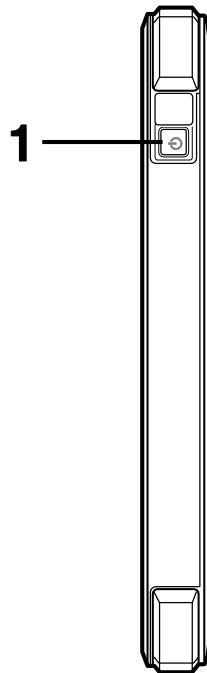
The following illustration shows the front side of the system.



Number	Component	
1	Microphone	Captures audio.
2	Ambient Light Sensor	Senses the ambient light in order to make adjustments to the brightness of the display.
3	Front-Facing Camera (2MP)	Captures images and videos.
4	NFC Sensor (Optional)	Reads NFC devices/contactless smart cards.
5	Battery Status LED	Indicates the battery charge status. For more information on LED behavior, see LED Indicators .

Right View

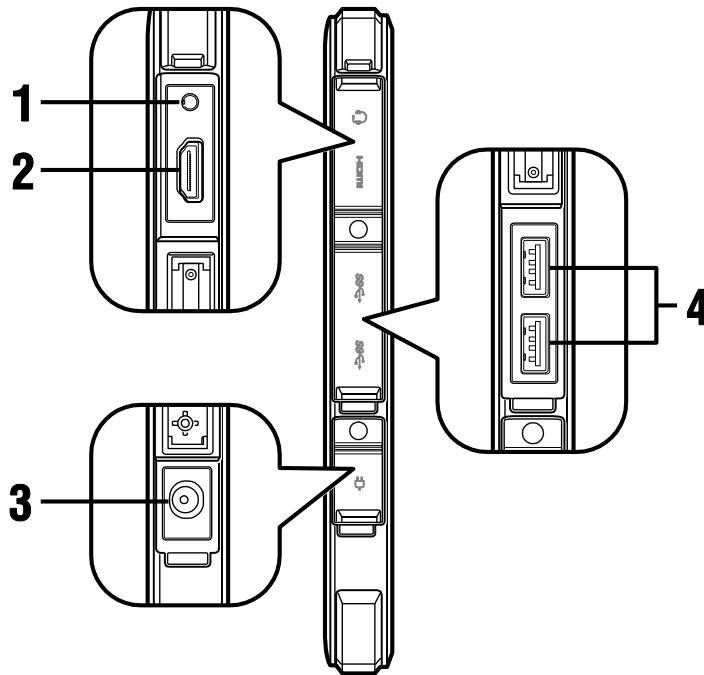
The following illustration shows the right side of the system.



Number		Component
1	Power Button	Turns the tablet or display on/off.

Left View

The following illustration shows the left side of the system.

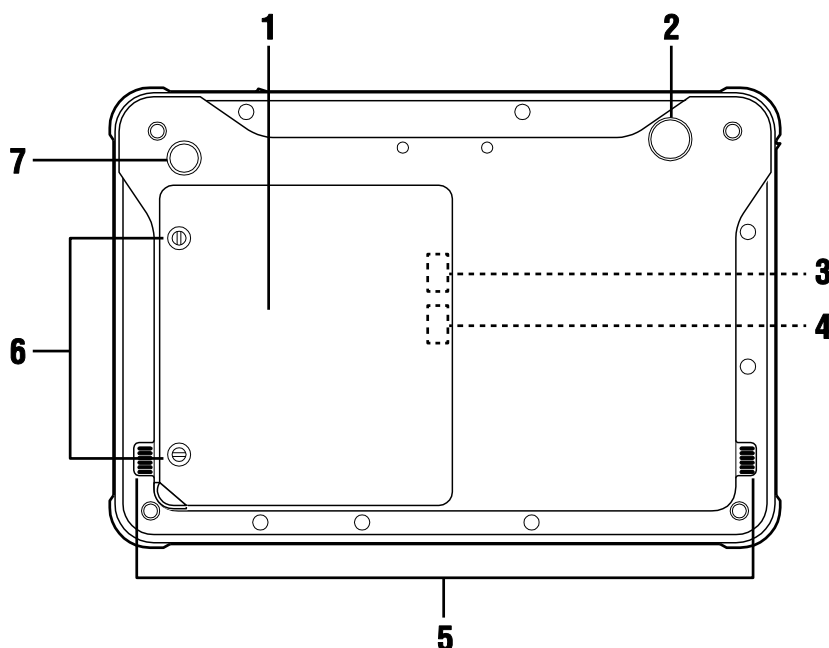


Number	Component	Component
1	Universal Audio Jack	Connects to headphones, speakers, microphones and other audio output/input devices.
2	HDMI Port	Connects to video devices such as a display, television, or projector.
3	DC-In Port	Connects to the adapter for charging.
4	USB 3.0 Ports	Connects to USB devices.

NOTE: The audio jack, HDMI port, DC-in port, and USB 3.0 ports are protected by port covers, for information on removing the port covers, see [Removing and Securing Port Covers](#).

Rear View

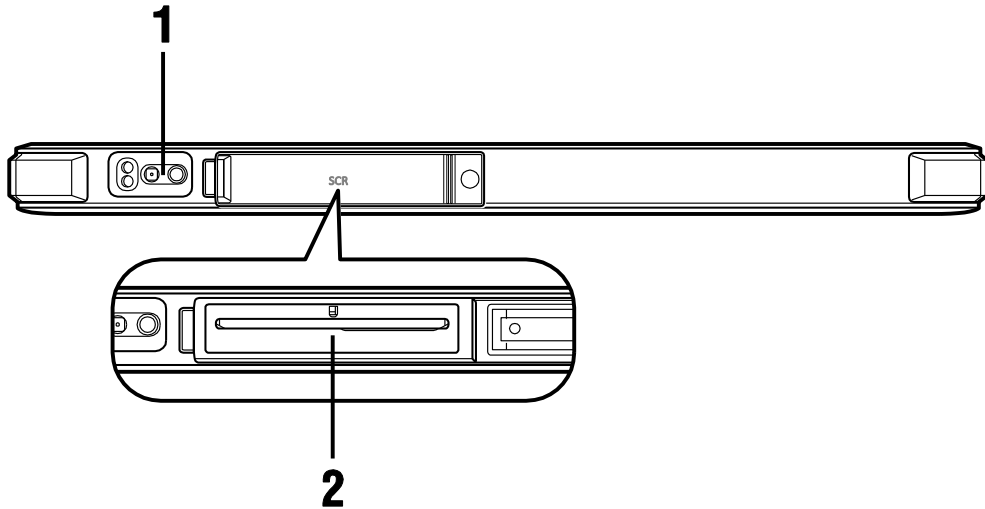
The following illustration shows the rear side of the system.



Number	Component	
1	Battery Compartment Cover	Covers the removable battery, optional SIM card, and SD card slots.
2	Rear-Facing Camera (8MP)	Captures images and videos.
3	SIM Card Slot (Optional) <i>Located inside the battery compartment</i>	Accepts a Micro-SIM card for 4G LTE mobile broadband. NOTE: The SIM card slot is only accessible after removing the battery, for information on removing the battery see Battery Removal and Replacement .
4	SD Card Slot <i>Located inside the battery compartment</i>	Accepts microSD card for data storage. NOTE: The SD card slot is only accessible after removing the battery, for information on removing the battery see Battery Removal and Replacement .
5	Speakers (1W)	Broadcasts audio played by the tablet.
6	Battery Compartment Screws	Secures the battery compartment cover to the tablet, using a flat head screwdriver to unlock the battery compartment cover.
7	Barcode Scanner Button	Activates the optional barcode scanner (the button is non-functional for models without a barcode scanner).

Top View

The following illustration shows the top side of the system.

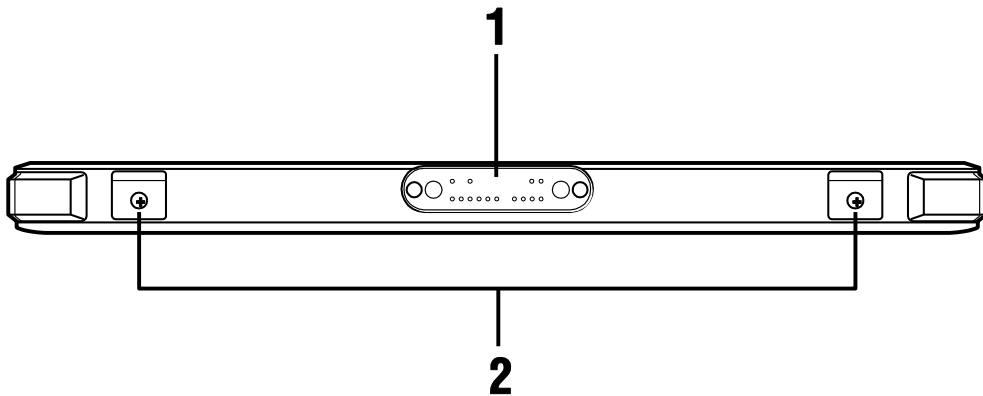


Number	Component
1	Barcode Scanner (Optional) Scans barcodes/QR codes.
2	SmartCard Reader (Optional) Reads SmartCards.

NOTE: The SmartCard reader slot is protected by a port cover, for information on removing the port cover, see [Removing and Securing Port Covers](#).

Bottom View

The following illustration shows the bottom side of the system.

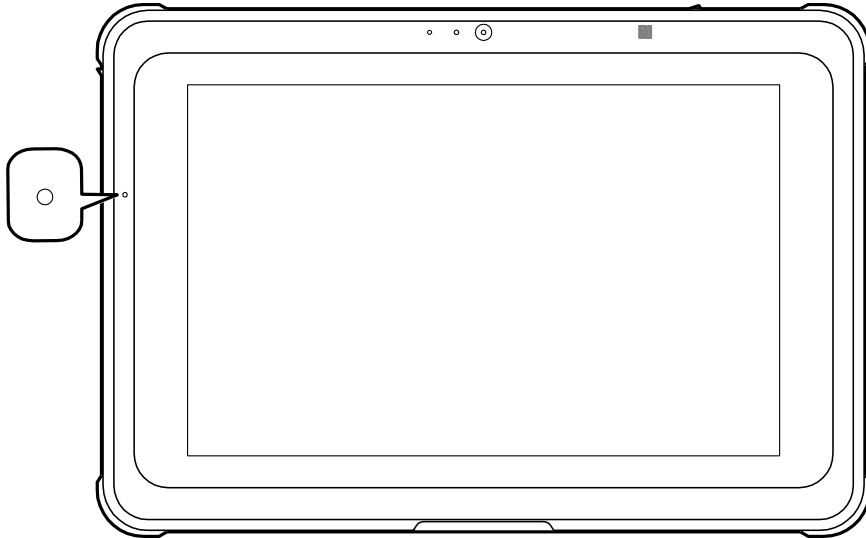


Number	Component	
1	Docking Connector	Connects to the optional tablet dock.
2	Strap Loop Holes	Used to attach a carrying strap to the tablet. <i>NOTE: A carrying strap is not provided by the manufacturer and must be purchased separately by the user.</i>

Getting Started

Battery Status Indicator

The battery status LED is located on the front of the system showing the tablet's battery charging status.



When the tablet is connected to an electrical outlet, the battery charge LED operates as follows:

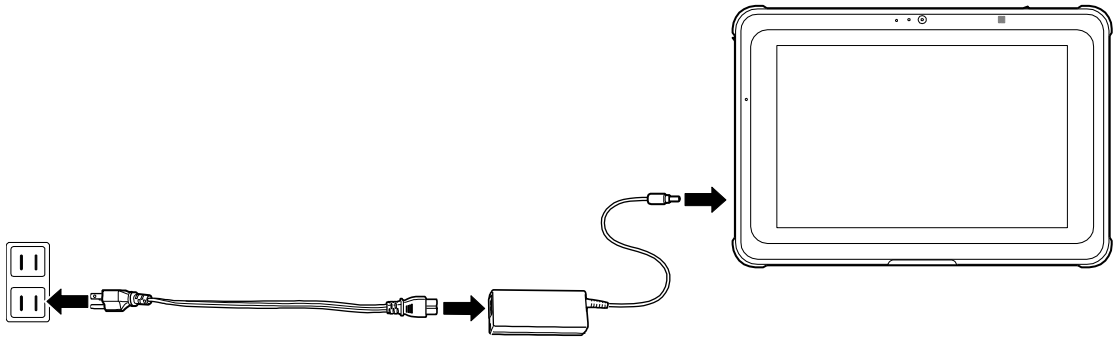
LED Behavior	Description
Solid Green	The battery is fully charged.
Solid Yellow	The battery is charging.
Breathing Green	The battery is fully charged while the system is in standby mode.
Breathing Yellow	The battery is charging while the system is in standby mode.

When the tablet is running on a battery, the battery charge LED operates as follows:

LED Behavior	Description
Solid Green	The tablet is running on battery power.
Breathing Green	The tablet is running on battery power while the system is in standby mode.
Blinking Yellow	The battery level is critically low.
Off	The tablet is off.

Charging the Tablet

1. Connect the power cord to the power adapter.
2. Connect the power adapter to the DC-In port of the tablet.
3. Plug the power supply into an electrical outlet. The battery charge LED lights yellow when your tablet is getting charged.

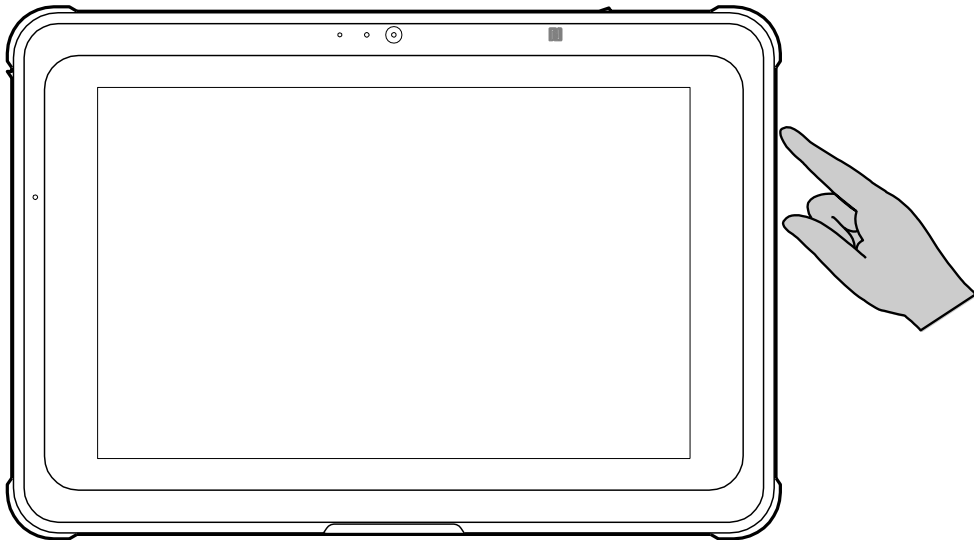


NOTE: The battery is not fully charged when you unpack your tablet. It is recommended to keep the power supply plugged in for at least 5 hours until the battery is fully charged.

Set up the tablet according to the displayed messages before initial use.

The detailed procedure will be introduced in CAXA0 Rugged Tablet Service Guide.

Powering On/Off the Tablet



To power on the tablet, press the power button.

To hard power-off the tablet, press and hold the power button for at least 5 seconds.

***NOTE:** The tablet can be powered off directly through the operating system for certain systems.*

Turning On/Off the Display

Press the power button when the system is on to turn off the display and put the system in standby mode.

When the system is in standby mode, press the power button once to wake up the system and turn the display on.

Removing and Securing Port Covers

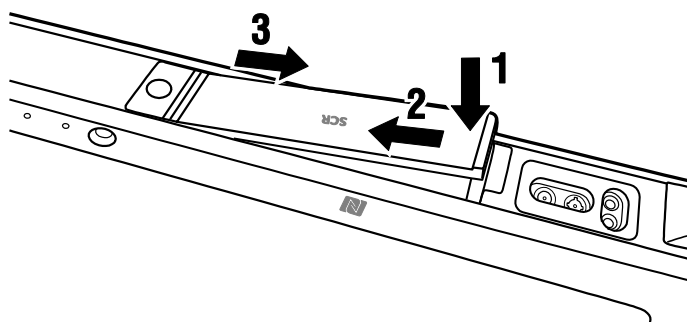
The tablet's connectors are covered and protected by sealed port covers to avoid damage or dust intrusion to the connectors.

When using the connectors, you need to remove the port covers. To remove the port cover, pull it outward and then flip it away from the connectors.

NOTE: Do not use excessive force when removing the port covers.

When the connectors are not in use, it is strongly suggested that you close the port covers securely. To properly close the port cover, follow the instructions below:

1. Press down the port cover on the end to engage it to the tablet.
2. Slide the port cover toward the port cover hinge, and then slide it in the reverse direction until it is locked in place, as shown in the image below.



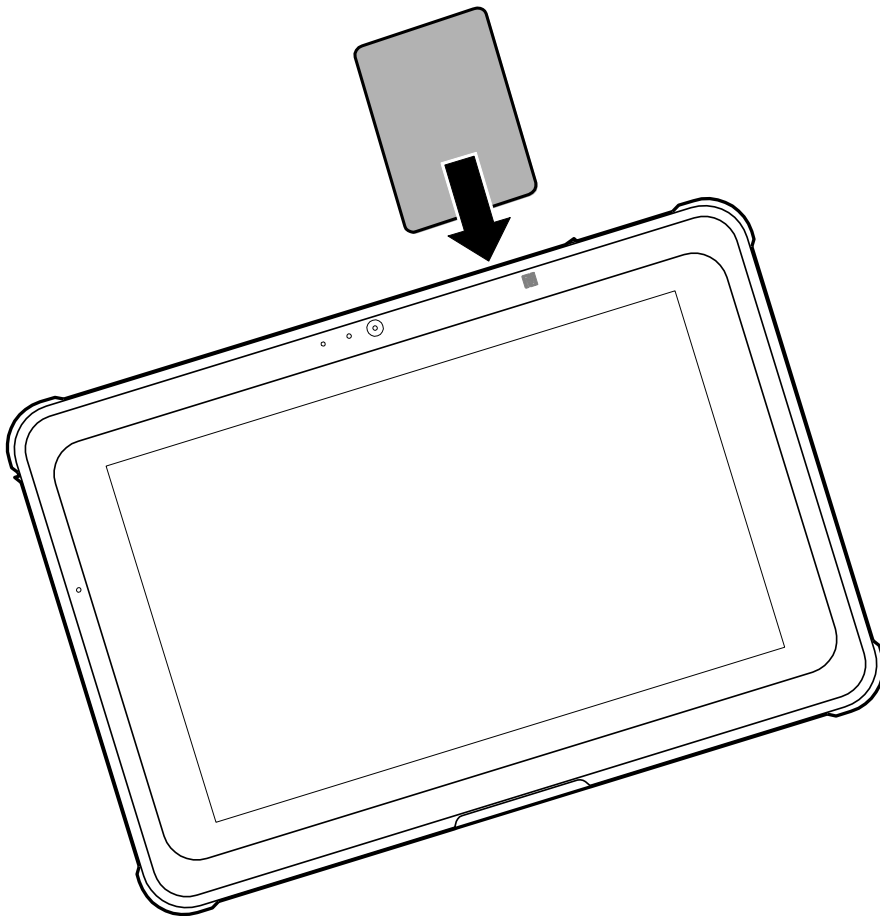
NOTE: Make sure the port covers are closed tightly to prevent water or dust from entering the tablet and causing damage.

Operating Your Tablet

SmartCard Reader (Optional)

The optional SmartCard reader located on the top side of the tablet allows for the transmission of data, mainly for identification/authentication purposes between the tablet and a smart card.

Insert a smart card into the reader to read/process/write information from/to the smart card. Ensure that the smart card is inserted into the card slot securely in the correct orientation with the chip facing down, as shown in the image below.



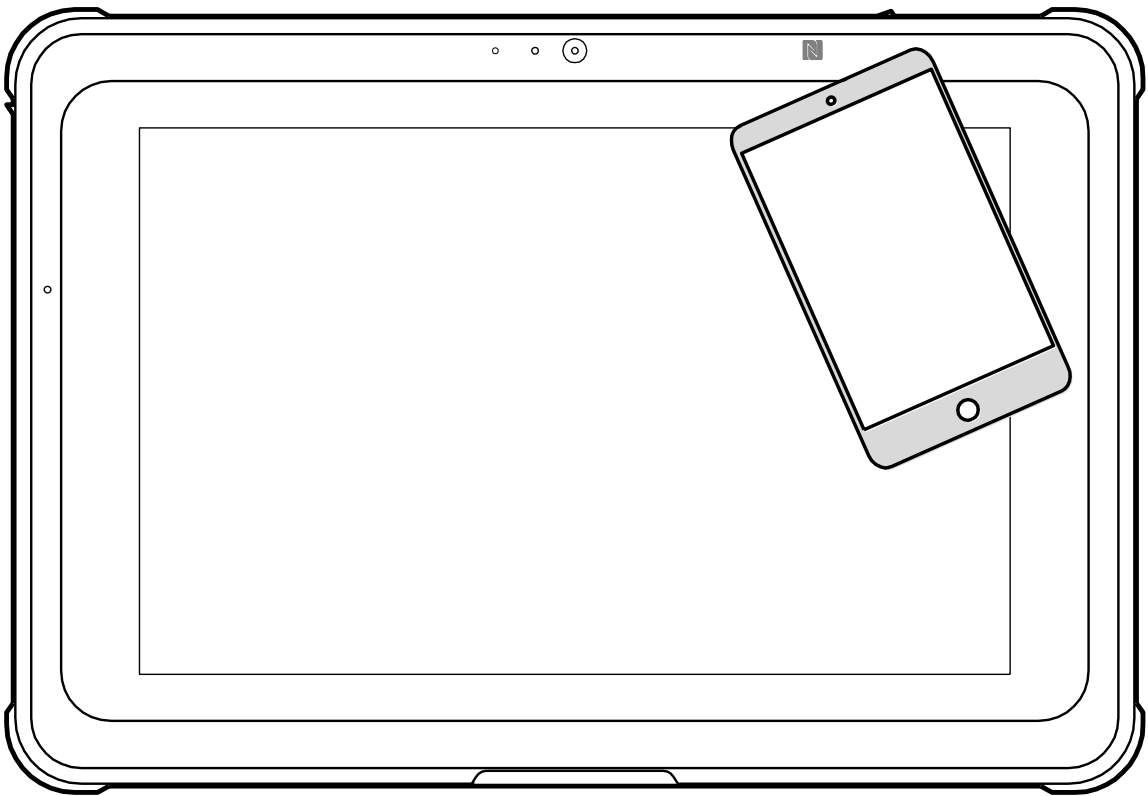
NOTE: Additional SmartCard application/software is required for this feature.

NOTE: The application/software is not provided by the manufacturer and must be installed separately by the user.

NFC Sensor

The NFC sensor located on the front of the tablet allows it to interact with other NFC-enabled devices or NFC cards/tags, such as smartphones or contactless smart cards.

Tap an NFC-supported device or card/tag to the NFC logo, indicating the sensor area, to activate the NFC sensor, as shown in the image below.



NOTE: Additional NFC reader application/software is required for this feature.

NOTE: The application/software is not provided by the manufacturer and must be installed separately by the user.

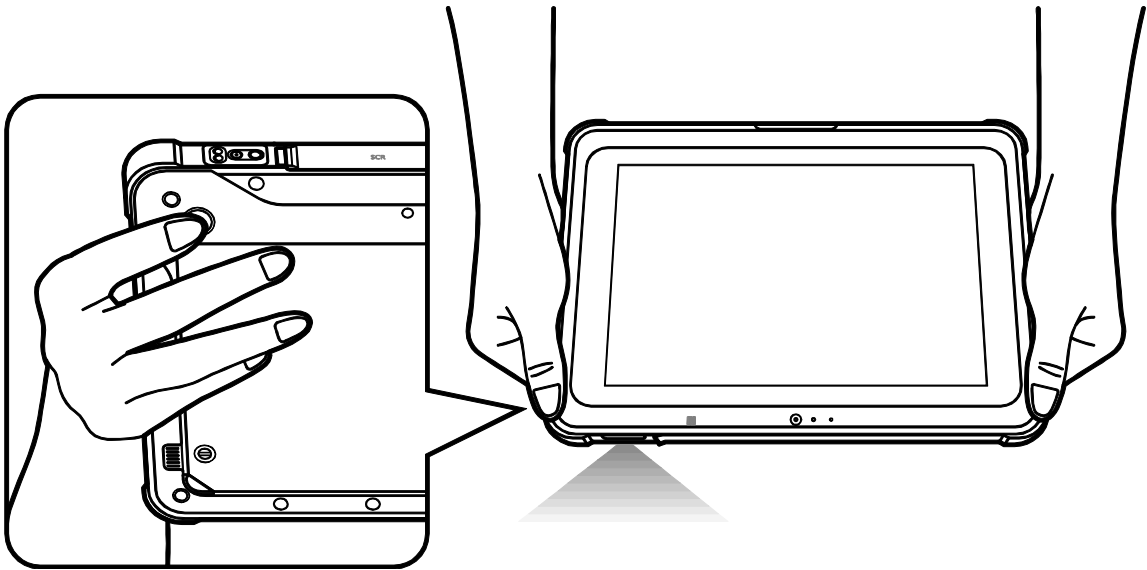
Barcode Scanner (Optional)

The optional barcode scanner located on the top of the tablet allows the tablet to retrieve information from bar codes when the barcode scanner button is pressed.

1. Open the application/software that you want to use to read the barcode data.

NOTE: The application/software is not provided by the manufacturer and must be installed separately by the user.

2. Place the scanner lens directly over the barcode at an appropriate distance.
3. Press the barcode scanner button located on the back of the tablet. Ensure that the aiming range covers the entire barcode area.



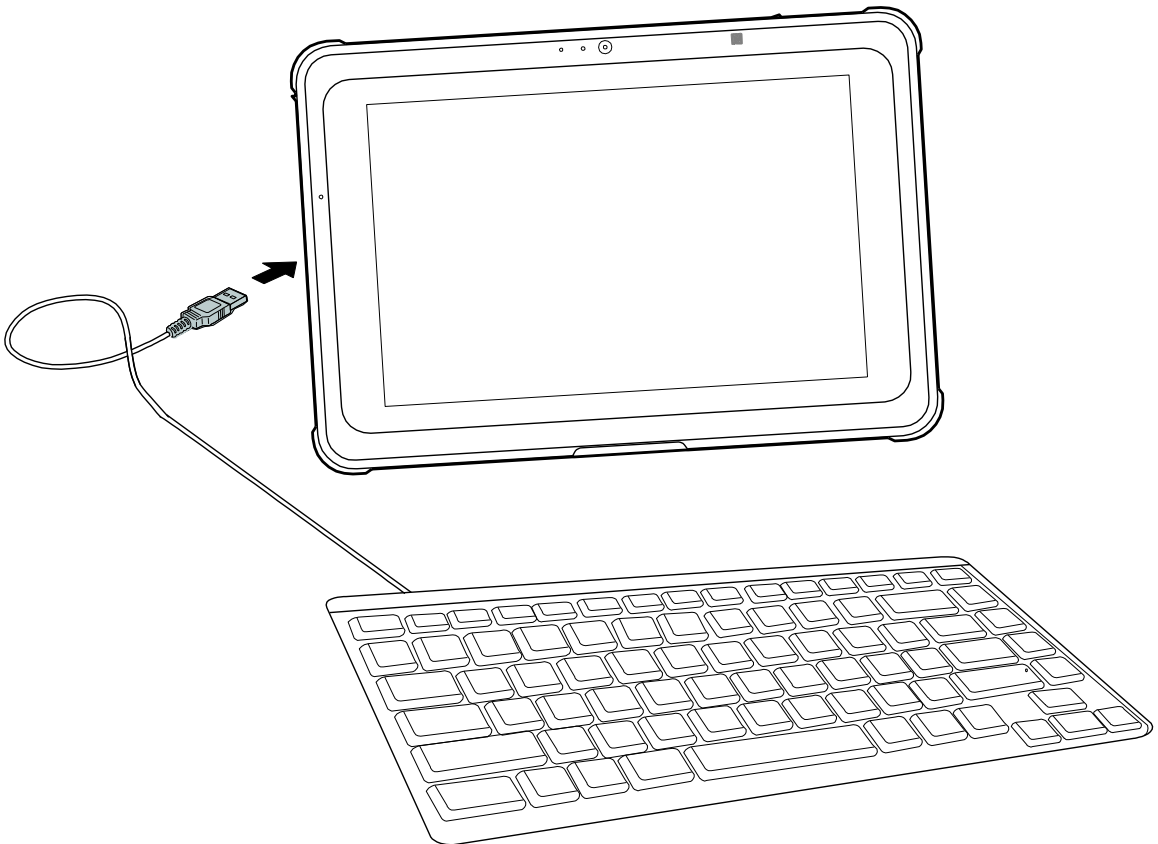
The data will appear in the application/software with a beep when the barcode is successfully scanned.

NOTE: Different types of barcodes may require specific barcode scanning applications.

Entering the BIOS Menu

BIOS (Basic Input / Output System) is a hardware configuration program installed in the tablet and initialized when the tablet is powered on. The BIOS is preset to optimal default settings for normal use, but in certain cases a user or technician might want to access the BIOS menu to change certain hardware settings for the tablet or to boot directly to a specific bootable device. In order to enter the tablet's BIOS menu follow the instructions below:

1. Connect an external keyboard to the USB port of the tablet.
2. Press the power button to power on the tablet.
3. Immediately press and hold the F2 key until the BIOS menu appears.



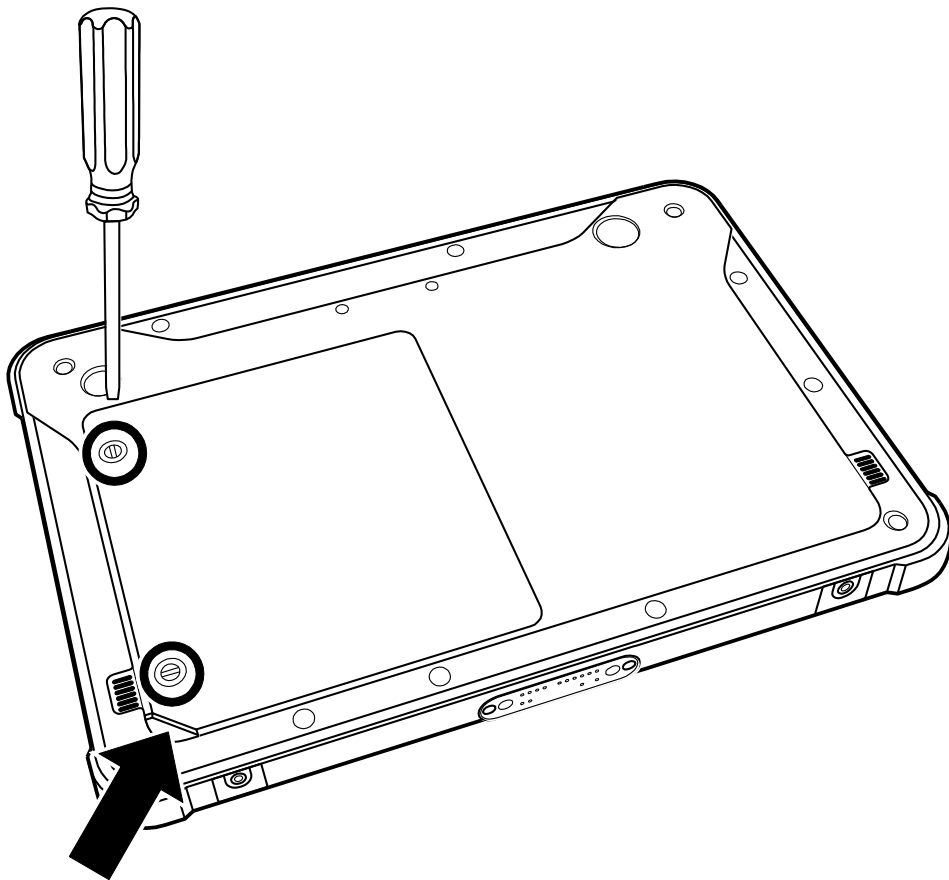
Replacing the Battery

Battery Removal and Replacement

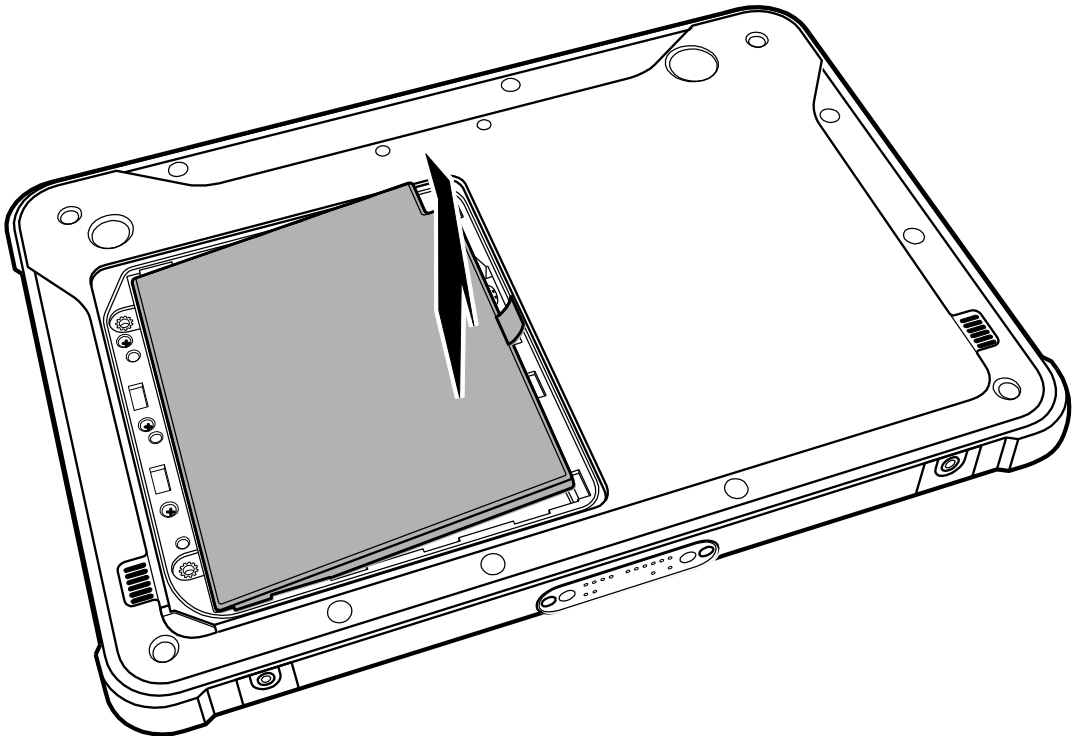
The battery is a 7.2V / 3950mAh battery installed on all models under the battery compartment cover located on the rear of the tablet, which can be removed and replaced by the user.

In order to access the battery for removal/replacement follow the instructions below:

1. Place the tablet on a flat surface with the rear side up.
2. Remove the two battery compartment screws with a flat head screwdriver to unlock the battery compartment cover.
3. Lift the bottom-left corner of the battery compartment cover away from the tablet.
4. Remove the battery compartment cover.



5. Use the tab to pull and remove the battery from the battery compartment.

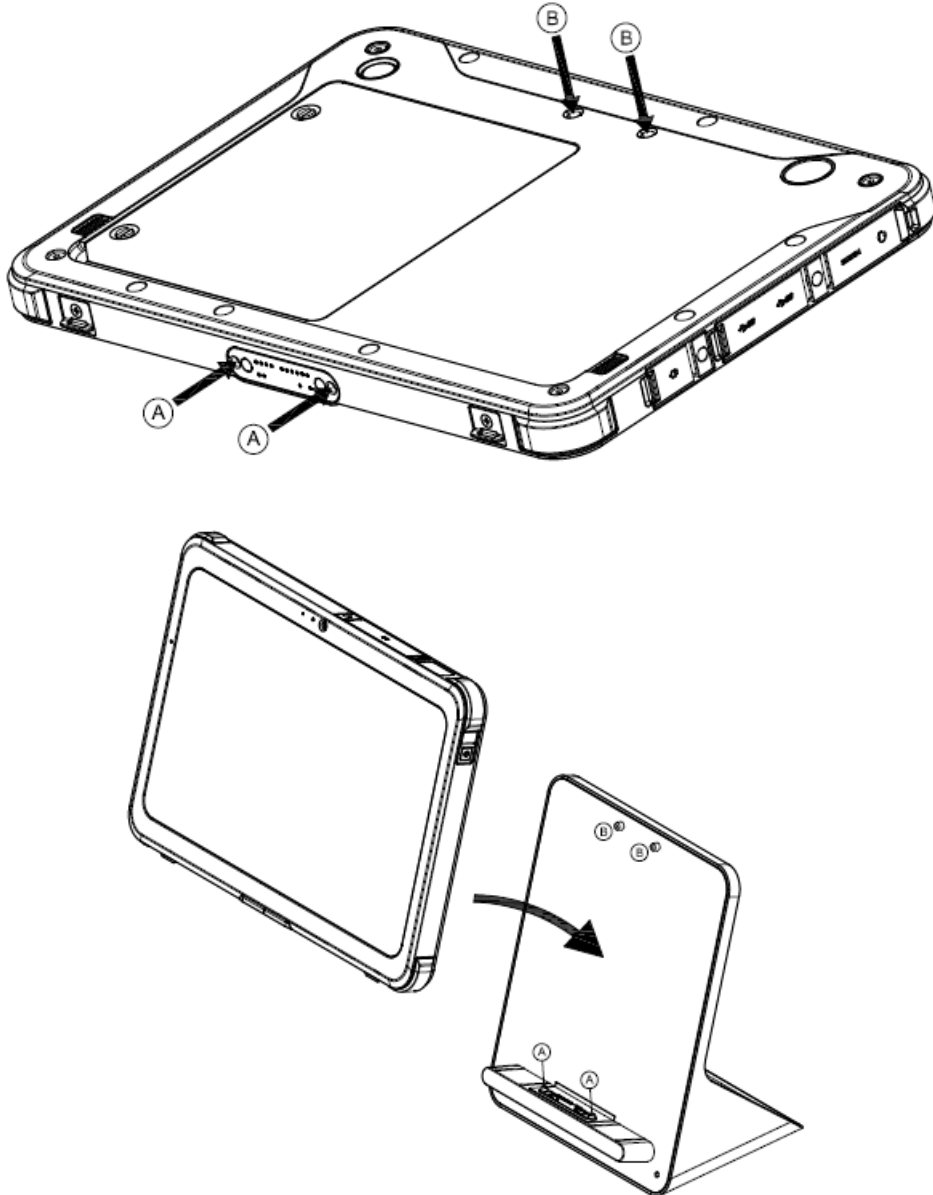


6. Reverse the steps described to insert/replace the battery.

NOTE: Dispose of used batteries according to the local laws and regulations of your region.

Table Top Docking (Optional)

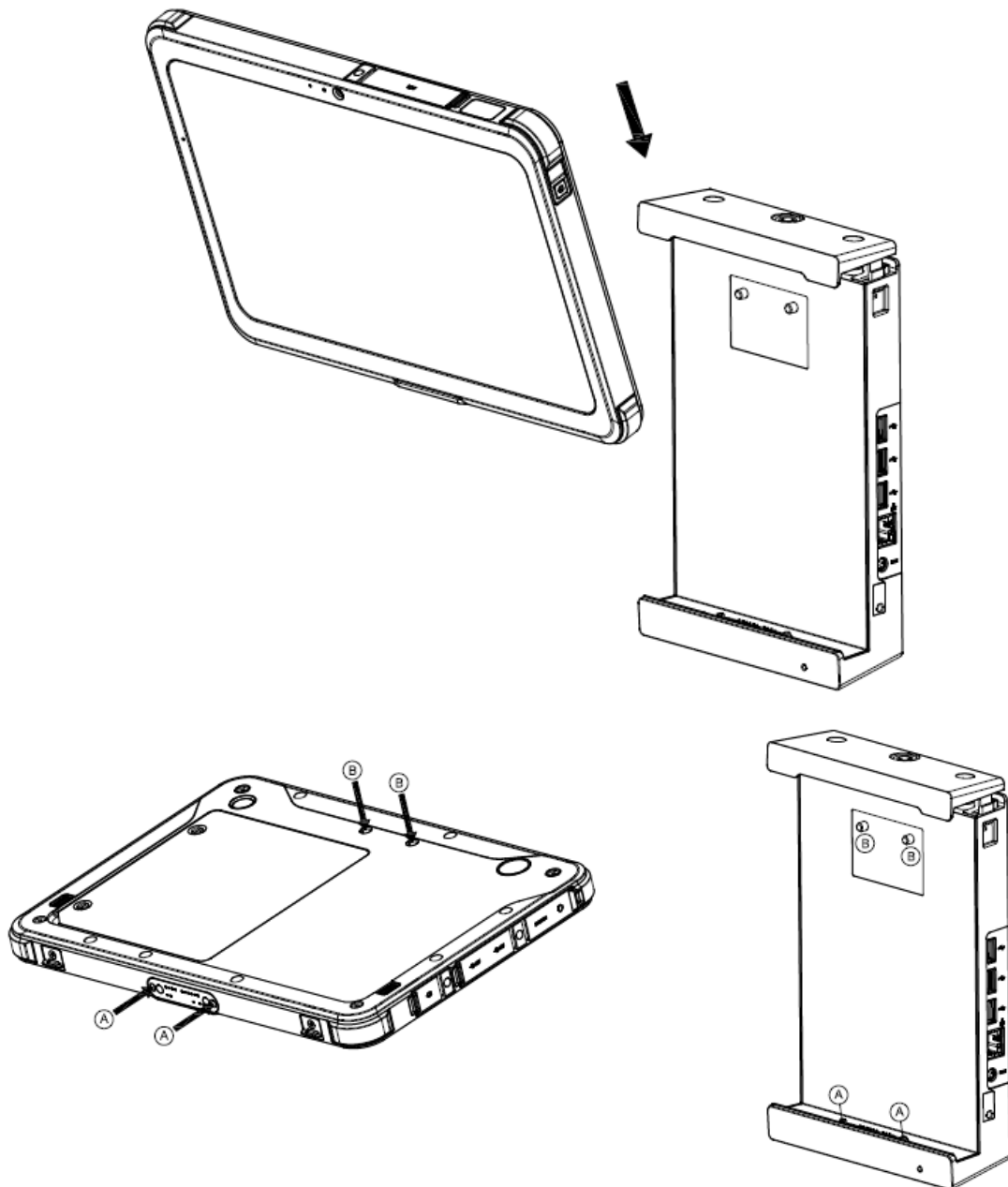
1. Slide the tablet into the table top docking station.



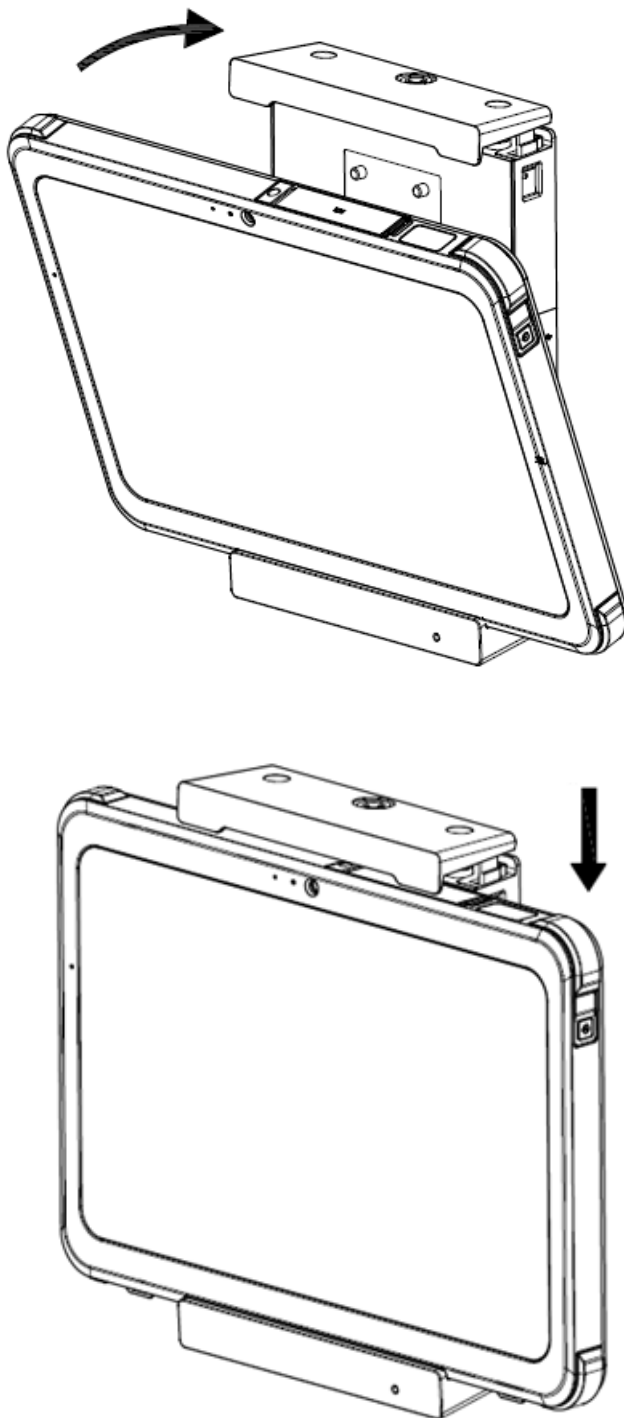
Wall Mounting

Fix the wall mounting station (without the tablet) to the roll stand or wall mounting racket. The wall mounting station is compatible with VESA 75.

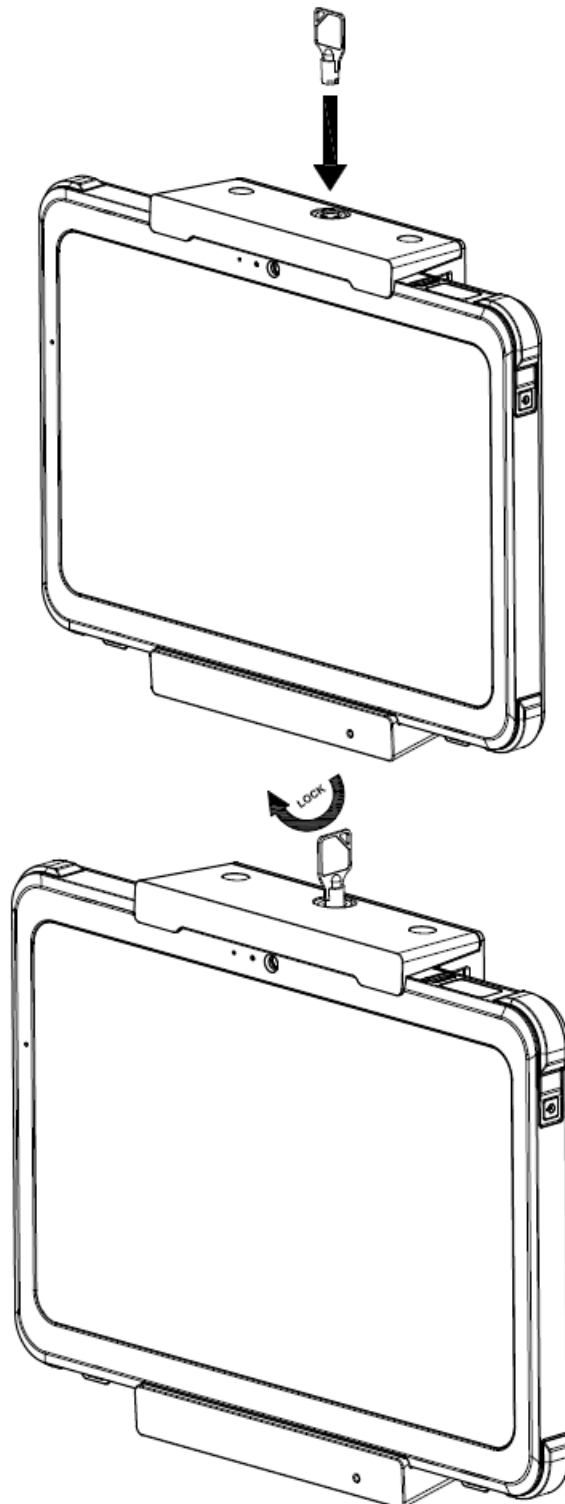
1. Slide the tablet into the wall mounting station.



2. Make sure the tablet is placed at the right position and press down the upper cover.

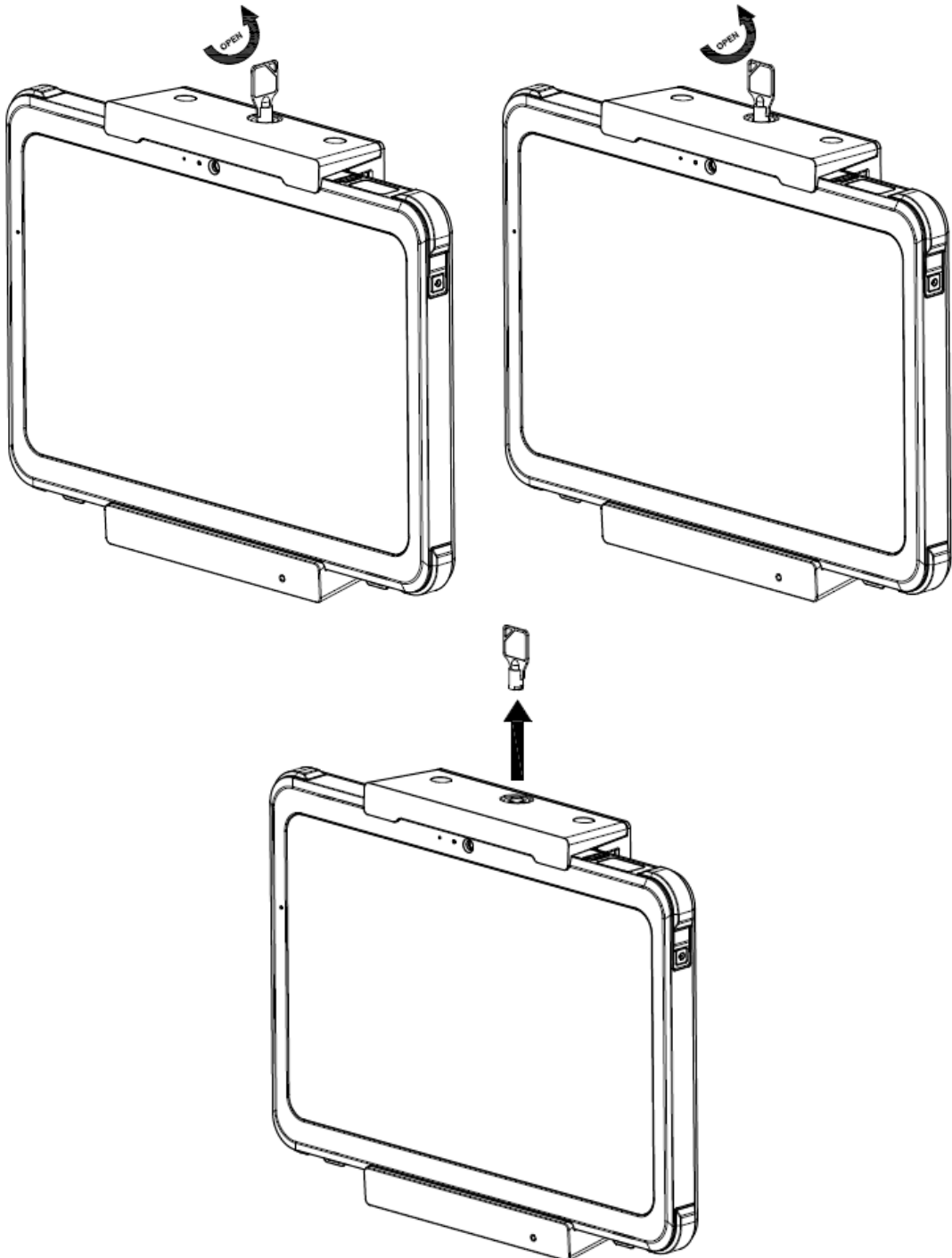


3. Turn the key to lock in position.
Keep the key in a safe place. If you lose the key, contact the manufacturer.

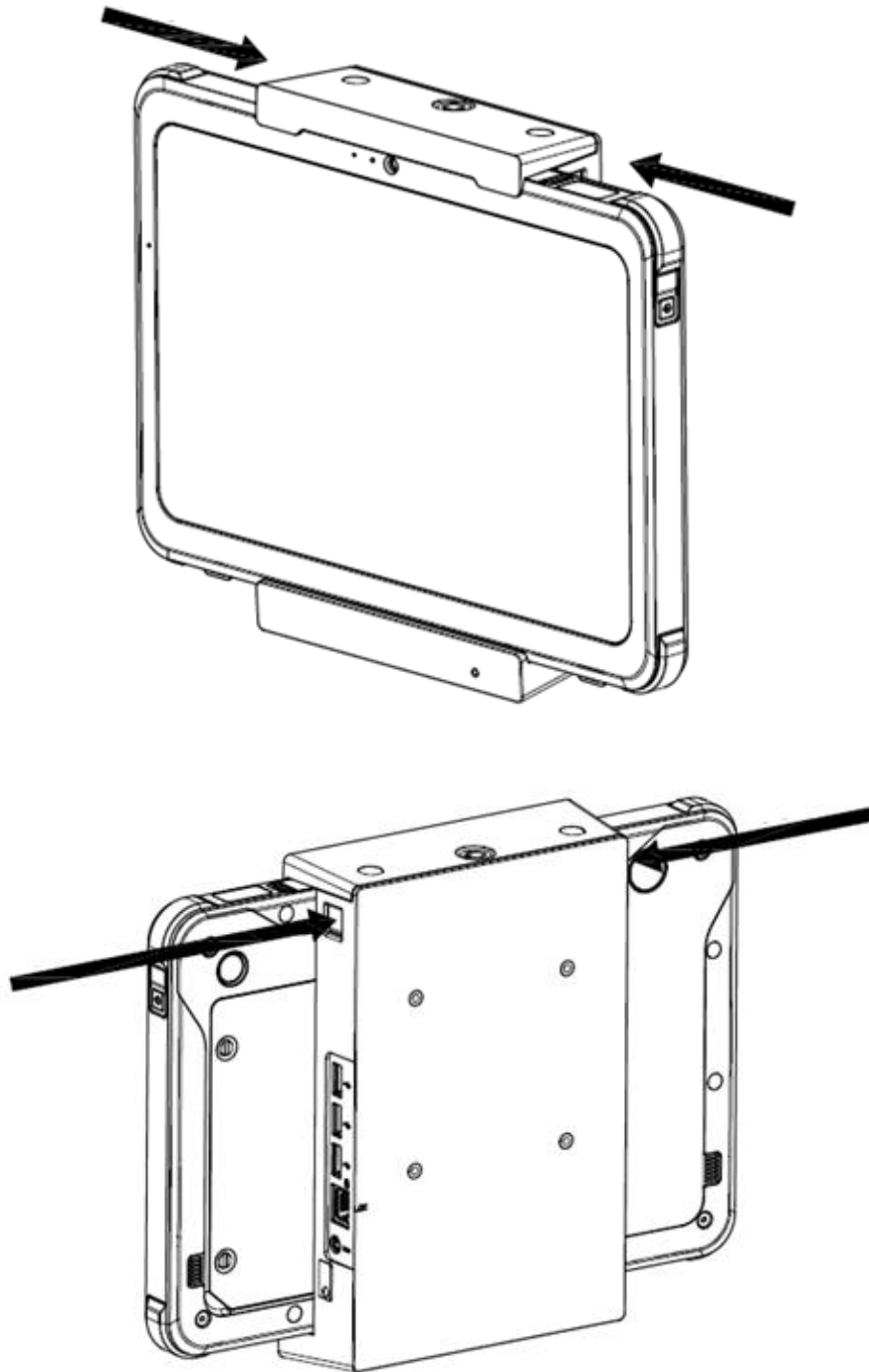


Removing from Wall Mounting Station

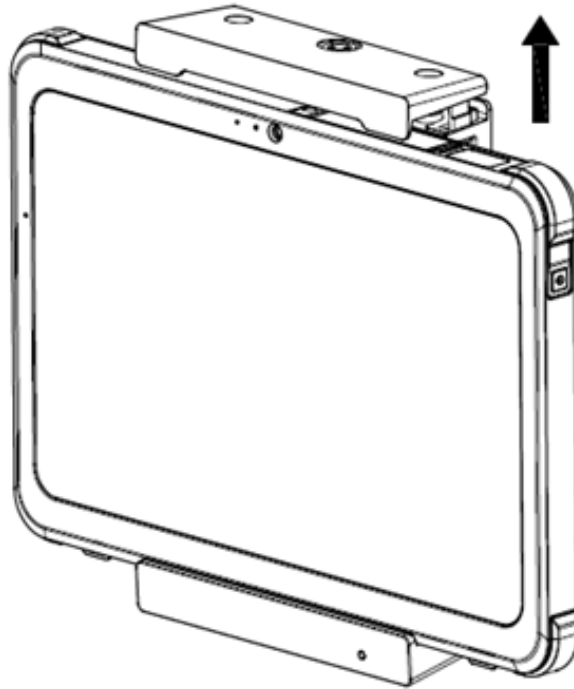
1. Turn the key to unlock.



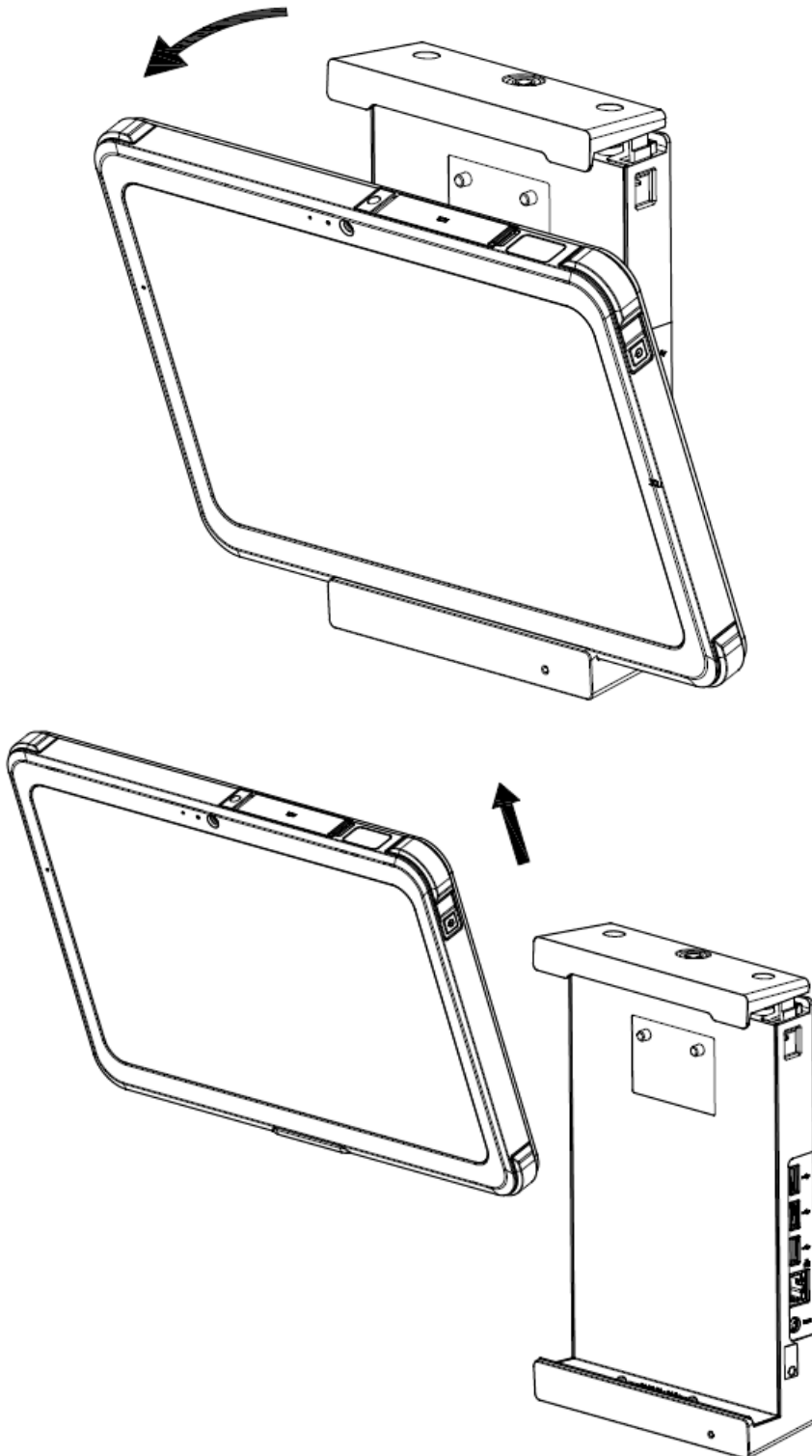
2. Press the left and right hooks inward.



3. The upper cover automatically pops up.



4. Take off the tablet from the mounting station.



Care and Maintenance

Carefully read and follow the instructions in this section to prevent damage to your tablet.

Environmental Guidelines

- DO NOT use the tablet in an environment with metallic dust.
- When placing the tablet, place it on a flat steady surface. DO NOT balance the tablet on its side or store it in an upside-down orientation. Strong impact as a result of a drop or strike may damage the tablet.
- DO NOT cover or block any ventilation openings on the tablet, which may cause overheating that may damage the tablet.
- Use the tablet in an environment where the temperature is between 0°C (32°F) and 40°C (104°F).
- Avoid placing the tablet in a location with high humidity, extreme temperatures, strong vibration, direct sunlight, or heavy dust. Using the tablet in such extreme environments for long durations may result in deterioration and a shortened product life.
- Keep the tablet away from objects that are vulnerable to heat, as the tablet may become very hot during usage.

General Guidelines

- Keep the display dry at all times to prevent any unintended operation of the touchscreen. During cleaning and disinfection, lock the screen to avoid any unintended device operation.
- In situations that may result in the unintended operation of the device (for example during cleaning, transport, or device movement), lock the touchscreen.
- DO NOT place heavy objects on top of the tablet as this may damage the touchscreen.
- The touchscreen surface is easily scratched. Avoid touching it with a sharp object such as a pencil.
- Image burn-in occurs when a fixed pattern is displayed on the screen for a prolonged period of time. Avoid image burn-in by limiting the amount of static content on the display. Use of a screen saver or turning off the display when it is not in use is suggested.
- To maximize the life of the backlight in the screen, allow the backlight to automatically turn off in the power management settings.

Cleaning Guidelines

- NEVER clean the tablet with its power on.
- Use a soft, lint-free cloth to wipe the exterior of the tablet.
- If water or liquid is spilled onto the tablet, wipe it dry and clean as soon as possible. DO NOT leave the tablet wet.
- If the tablet gets wet in an environment where the temperature is 0°C (32°F) or below, damage from freezing may occur. Make sure to dry the wet tablet.

Cleaning in a Healthcare Environment

- Healthcare establishments should define and document cleaning policies and procedures.
- Clean all dust and debris from the tablet before it is disinfected.
- To disinfect apply appropriate 75% Ethyl Alcohol to the cleaned areas and allow the tablet to air-dry.

Battery Guidelines

- Charge the battery when it is nearly fully discharged. When charging, make sure that the battery is fully charged before you stop charging. Doing so may avoid harm to the battery.
- The battery is a consumable product, the following conditions will shorten its life:
 - Frequently charging the battery.
 - Using, charging, or storing the battery in high temperature conditions.
- To avoid deteriorating the battery at a quicker pace and thereby prolonging its life, minimize the number of times you charge it so as not to frequently increase its internal temperature.
- Charge the battery in an environment between 10°C - 30°C (50°F - 86°F). A higher environmental temperature will cause the battery's temperature to rise. Avoid charging the battery inside a closed vehicle in hot weather conditions.
- Charging will not start if the battery is outside the allowed temperature range.
- Avoid charging the battery more than once a day.
- When using battery power in an extremely low temperatures, you may experience shortened operating time and an incorrect battery level reading. This occurs due to the chemical characteristics of batteries in general. The appropriate operating temperature for the battery is: -10°C - 50°C (14°F - 122°F).
- Do not leave the battery in storage for more than six months without recharging it.
- It is recommended that you charge the battery with the tablet's power off.
- To maintain the battery's operating efficiency, store it in a cool, dark place remove it from the tablet, store it with 30 % charge remaining.

Important guidelines when using the battery.

- When installing or removing the battery, take note of the following:
 - Avoid removing or installing the battery when the tablet is in Sleep mode. Abruptly removing the battery may cause loss of data or the tablet may become unstable.
 - Avoid touching the battery terminals as damage may occur, thereby causing improper operation to it or the tablet.
- The tablet's input voltage and environmental temperature directly affect the battery's charge and discharge time:
 - Charging time will be prolonged when the tablet is turned on. To shorten the charging time, it is recommended that you place the tablet in Sleep or Hibernation mode.
 - Low temperatures will prolong the charging time as well as hasten the discharge time.

Touchscreen Guidelines

- Only use your finger or CAX-series active stylus pen on the display. Using a sharp or metallic object other than your finger or CAX-series active stylus pen may cause scratches and damage the touchscreen, thereby causing errors.
- Use a soft, dry cloth to remove dirt on the touchscreen. The touchscreen surface has a special protective coating that prevents dirt from sticking to it. Not using a soft cloth may cause damage to the special protective coating on the touchscreen surface. Turn off the tablet when cleaning the touchscreen. Cleaning the touchscreen with the power on may cause improper operation.
- Do not use excessive force on the touchscreen. Avoid placing objects on top of the touchscreen as this may cause the glass to break thereby damaging the touchscreen.
- When there is a noticeable difference in the operation of the touchscreen function (such as a wrong touch location or incorrect display resolution), refer to Windows Online Help for instructions on recalibrating the touchscreen display.

Troubleshooting

Battery Issues

The battery does not charge (the battery charge LED does not light up)

- Make sure that the AC adapter is properly connected.
- Make sure that the battery is not too hot or cold. Allow time for the battery pack to return to room temperature.
- If the battery doesn't charge after it has been stored in very low temperatures, try disconnecting and reconnecting the AC adapter to solve the problem.
- Make sure that the battery is installed correctly.
- Make sure that the battery terminals are clean.

The operating time of a fully charged battery has become shorter.

- If you often partially recharge and discharge, the battery might not be charged to its full potential. Replace the battery to solve the problem.

The battery operating time indicated by the battery meter does not match the actual operating time.

- Depending on how you use the tablet, the actual operating time can be different from the estimated time. If the actual operating time is much less than the estimated time, check the battery.

Bluetooth Issues

The tablet cannot connect to another device via Bluetooth.

- Make sure that both devices have activated the Bluetooth feature.
- Make sure that the distance between the two devices is within the Bluetooth range limit and that there are no walls or other obstructions between the devices.
- Make sure that the other device is not in "Hidden" mode.
- Make sure that both devices are compatible.

Display Issues

Nothing appears on the screen.

- During operation, the screen may automatically turn off as a result of power management. Press any button on the tablet to see if the screen comes back.
- The brightness level might be too low. Increase the brightness.

The characters on the screen are dim.

- Adjust the brightness and/or contrast.

The display brightness cannot be increased.

- As a preventative measure, the display brightness will be fixed at a low level when the environmental temperature is too high or too low. In such situations this is not a malfunction.

Strange dots appear on the display at all times.

- A small number of missing, discolored, or bright dots on the screen are an intrinsic characteristic of TFT LCD technology. It is not regarded as a LCD defect.

Clouding happens on the screen when you place force on the left or right side of the LCD frame.

- This is a normal phenomenon, not a defect.

Display Notes

- During normal operation of the tablet, you may move or rotate the tablet as you desire and the display will adjust its orientation accordingly. During installation of the operating system, the display will not adjust its orientation, only after the operating system is finished installing will automatic adjustment of display orientation return to normal operation.
- If the user needs to delete the VGA driver for the tablet, ensure that a mouse or an external keyboard is connected to the tablet before deleting the VGA driver.

Hardware Issues

The tablet does not recognize a newly installed device.

- Make sure that the device driver is installed by referring to the documentation that came with the device.
- Check to see if the cables or power cords are connected correctly.
- For an external device that has its own power switch, make sure that the power is turned on.

Power Management Issues

The tablet does not enter Sleep or Hibernation mode automatically.

- Make sure that the Sleep or Hibernation time-out is enabled.

The tablet does not enter Sleep or Hibernation mode immediately.

- If the tablet is performing an operation, it will wait for the operation to finish before entering Sleep or Hibernation mode.

The tablet does not return from Sleep or Hibernation mode.

- The tablet automatically enters Sleep or Hibernation mode when the battery charge is empty. Do any one of the following:
 - Connect the AC adapter to the tablet.
 - Replace the empty battery with a fully charged one.

NOTE: If your tablet is installed with a customized OS, it may not be able to enter Sleep or Hibernation mode. Contact technical support to configure the tablet.

Sensor Issues (for Windows 10 Models Only)

The built-in digital compass doesn't seem to be accurate.

- Rotating the display can affect the accuracy of the digital compass. This is normal, not a malfunction. The sensors for the compass require periodic recalibration. Follow this method to recalibrate the sensors:
 1. Make sure you are far away from any large metal objects or magnetic fields.
 2. Start an application that utilizes the digital compass.

3. Hold the tablet level with the horizon, with the LCD side facing up.
4. Rotate the tablet 360° at least three times around each axis (X, Y, and Z).

Software Issues

An application program does not work correctly.

- Make sure that the software is correctly installed.
- If an error message appears on the screen, consult the software program's documentation for further information.
- If you are sure the operation has stopped, reset the tablet.

Software Note

When updating the operating system for the tablet, the AC adapter must be connected to the tablet as a power source.

Audio Issues

The tablet produces no audio.

- Make sure that the volume control is not set too low. Increase the volume.
- Make sure that the sound is not muted.
- Make sure that the tablet is not in Sleep mode.
- If using an external speaker, make sure that the speaker is properly connected.

The audio is distorted.

- Make sure that the volume control is not set too high or too low. In most cases, a high setting can cause the audio electronics to distort the sound.

Startup Issues

When the tablet is turned on, it does not respond and the power indicator LED does not light up.

- If you are using an external AC power, make sure that the AC adapter is correctly and securely connected. If so, make sure that the electrical outlet works properly.

- If you are using the battery power, make sure that the battery is not discharged.

When the tablet is turned on, it stops after POST.

- Reset your tablet.

Wi-Fi Issues

I cannot use the Wi-Fi feature.

- Make sure that Wi-Fi is turned on.

Transmission signal is poor.

- Your tablet may be in an out-of-range situation. Move your tablet closer to the Wireless Access Point or the Wi-Fi device it is associated with.
- Check if there is high interference around the environment and follow the guidelines below.

Radio interference exists.

- Move your tablet away from the device causing the radio interference such as microwave oven and large metal objects.
- Plug your tablet into an outlet on a different branch circuit from that used by the affecting device.
- Consult your dealer or an experienced radio technician for help.

I cannot connect to another Wi-Fi device.

- Make sure that Wi-Fi is turned on.
- Make sure that the SSID setting is the same for every Wi-Fi device in the network.
- Your tablet is not recognizing changes. Restart the tablet.
- Make sure that the IP address or subnet mask setting is correct.

I cannot communicate with the computer in the network when Infrastructure mode is configured.

- Make sure that the Access Point your tablet is associated with is powered on and all the LEDs are working properly.
- If the operating radio channel is in poor quality, change the Access Point and all the wireless station(s) within the BSSID to another radio channel.

- Your tablet may be in an out-of-range situation. Move your tablet closer to the Access Point it is associated with.
- Make sure that your tablet is configured with the same security option (encryption) as the Access Point.
- Use the Web Manager/Telnet of the Access Point to check whether it is connected to the network.
- Reconfigure and reset the Access Point.

I cannot access the network.

- Make sure that the network configuration is appropriate.
- Make sure that the user name or password is correct.
- You have moved out of range of the network.
- Turn off power management.

Miscellaneous Issues

The date/time is incorrect.

- Correct the date and time via the operating system or BIOS Setup program.
- After you have performed everything as described above and you still have the incorrect date and time every time you turn on the tablet, the RTC (Real-Time Clock) battery has reached the end of its life. Call an authorized dealer to replace the RTC battery.

Specifications

CPU	Intel® Celeron® Processor N3350
Memory*	4GB on-board LPDDR4
Storage*1	64GB / 128GB / 256GB M.2 SSD (Type 2242)
Display	10.1" 1280 x 800 (HD) pixels, 300 nits
Pointing Device	<ul style="list-style-type: none"> • Gorilla® Glass III touchscreen, supports 10 finger touch • Active Stylus (Capacitive type) support (The Stylus is sold separately and is not shipped with the tablet.) • Use of gloves during operation is not suggested.
Communication	<ul style="list-style-type: none"> • WLAN – 802.11a/b/g/n/ac + Bluetooth v4.1 (LGA module) • [Optional] NFC – ISO/IEC 14443 A/B, ISO/IEC 15693/18092, NFCIP-1, NFCIP-2, Support MIFARE and Felica • GPS L1 (standalone) • [Manufacturing Option] 4G LTE embedded GPS (data mode only)
Audio	<ul style="list-style-type: none"> • Stereo Box type 1W • Individual microphone
Camera	<ul style="list-style-type: none"> • 2M (1600 x 1200) front-facing camera, 30 fps (video), fixed focus • 8M (3264 x 2448) rear-facing camera, 10 fps (video), auto focus
Sensor	<ul style="list-style-type: none"> • Ambient light sensor • Gravity sensor • Gyro sensor • Digital compass • [Optional] Proximity sensor
Reader	<ul style="list-style-type: none"> • [Optional] Barcode reader (BCR), 1D/2D support • [Optional] SmartCard reader (SCR)
Media Card Slot	<ul style="list-style-type: none"> • [Optional] Micro-SIM card (inside the battery compartment) • microSD card³ (inside the battery compartment)
IO Ports and Connectors	<ul style="list-style-type: none"> • Universal audio Jack • USB 3.0 ports^{4*2} • HDMI port⁵ • Pogo pin (for docking connector)⁶
Buttons	<ul style="list-style-type: none"> • Power button • Barcode scanner button (BCR trigger)
Waterproof Rating	<ul style="list-style-type: none"> • IP65

Security	<ul style="list-style-type: none"> • Firmware Trusted Platform Module 2.0
Adapter	<ul style="list-style-type: none"> • Model: MDS-060AAS19 BY • 60W • Input: 100 - 240 VAC, 50/60Hz • Output : 19V • Supplier: Delta
Battery	Removable battery – Li-ion, 28.44Wh, 7.2V, 3950mAh
OS	Windows 10 IoT
Environment	<p>Operating Temperature: 0°C~40°C (32°F~104°F) Storage Temperature: -10°C~60°C (14°F~140°F) Humidity: 10% to 90% relative, non-condensing</p>
Operating Time⁷	Approximately 7 hours for a fully charged battery
Product Life	3 years
Dimensions (W x D x H)	281mm x 193.3mm x 19.95mm (11.06 inches x 7.61 inches x 0.79 inches)
Weight	1000g (2.20lbs.)
Note	<p>* The specifications listed in this field denote options which the user can select for their tablet.</p> <p>¹ The storage reported by your operating system or certain applications may be reported at a lower amount.</p> <p>² Operation has been tested and confirmed using EPNB-431100-0134-10-0000. Operation of other styluses is not guaranteed.</p> <p>³ The microSD slot does not guarantee compatibility with all microSD cards.</p> <p>⁴ The USB 3.0 ports do not guarantee compatibility with all USB-compatible peripherals.</p> <p>⁵ The HDMI port does not guarantee compatibility with all HDMI-compatible peripherals.</p> <p>⁶ Only for use with the CAXA0 dock.</p> <p>⁷ Battery performance features such as charge time and life span can vary according to the condition under which the computer and battery are used. Battery operation and recharge times will vary based on many factors, including screen brightness, applications, features, power management, battery conditioning and other customer preferences. Battery testing results from MobileMark 2014.</p>

Table top docking station (Optional)

IO interface	USB x3, LAN x1, DC IN x1
Dimensions (W x D x H)	180mm x 129.2mm x 198.2mm (7.09 inches x 5.09 inches x 7.8 inches)
Weight	1050g (2.31lbs.)

Wall mounting station (Optional)

IO interface	USB x3, LAN x1, DC IN x1
Dimensions (W x D x H)	143.6mm x 50.4mm x 218.8mm (5.65 inches x 1.98 inches x 8.61 inches)
Weight	580g (1.28lbs.)

Trademarks

All brand and product names are trademarks or registered trademarks of their respective companies.

Manufacturer Contact Information

Name: Avalue Technology Inc.

Address: 7F, 228, Lian-cheng Road, Zhonghe Dist., New Taipei City 235, Taiwan

Phone: +886 2- 8226-2345



<https://m.avalue.com.tw/Contact>

Our company network supports you worldwide with offices in Germany, Austria, Switzerland, the UK and the USA. For more information please contact:

Headquarters

Germany



FORTEC Elektronik AG

Augsburger Str. 2b
82110 Germering

Phone: +49 89 894450-0
E-Mail: info@fortecaq.de
Internet: www.fortecaq.de

Fortec Group Members

Austria



Distec GmbH Office Vienna

Nuschinggasse 12
1230 Wien

Phone: +43 1 8673492-0
E-Mail: info@distec.de
Internet: www.distec.de

Germany



Distec GmbH

Augsburger Str. 2b
82110 Germering

Phone: +49 89 894363-0
E-Mail: info@distec.de
Internet: www.distec.de

Switzerland



ALTRAC AG

Bahnhofstraße 3
5436 Würenlos

Phone: +41 44 7446111
E-Mail: info@altrac.ch
Internet: www.altrac.ch

United Kingdom



Display Technology Ltd.

Osprey House, 1 Osprey Court
Hinchingsbrooke Business Park
Huntingdon, Cambridgeshire, PE29 6FN

Phone: +44 1480 411600
E-Mail: info@displaytechnology.co.uk
Internet: www.displaytechnology.co.uk

USA



Apollo Display Technologies, Corp.

87 Raynor Avenue, Unit 1
Ronkonkoma, NY 11779

Phone: +1 631 5804360
E-Mail: info@apolloDisplays.com
Internet: www.apolloDisplays.com