



OUR GLOBAL
COMPETENCE
CENTRES

 APOLLO DISPLAY
TECHNOLOGIES



 DISTEC



 DISPLAY
TECHNOLOGY



Datasheet

Diamond Systems

EPS-24G4X

**EPS-24G4X Managed 28-Port Gigabit Ethernet Switch with
4 10G SFP+ Ports**



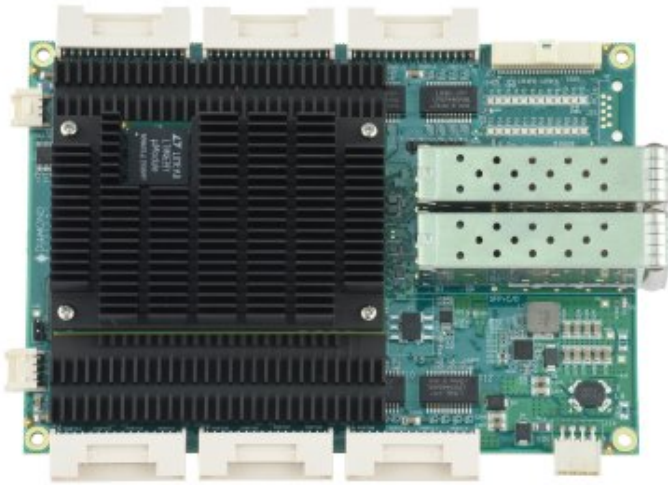
The information contained in this document has been carefully researched and is, to the best of our knowledge, accurate. However, we assume no liability for any product failures or damages, immediate or consequential, resulting from the use of the information provided herein. Our products are not intended for use in systems in which failures of product could result in personal injury. All trademarks mentioned herein are property of their respective owners. All specifications are subject to change without notice.

EPS-24G4X EPS-24G4X Managed 28-Port Gigabit Ethernet Switch with 4 10G SFP+ Ports



FEATURES

- Rugged Ethernet switch for vehicle and other harsh environment applications
- 24 total gigabit Ethernet ports
- 4 10G SFI ports with SFP+ sockets
- Activity and status LEDs for all ports
- 7-40VDC input range
- Thicker PCB, latching connectors, and -40 to +85°C operating temperature support rugged mobile applications
- Layer 2+ switching and Layer 3 routing software available
- Software customization and branding available
- IEEE 1588 PTP support available
- Design kit available with carrier board schematics and bill of materials
- Custom carrier board and complete switch solution design and manufacturing services available



EPS-24G4X top view



HSP Model with heat spreader assembly for conduction cooling installation

◆ Overview

The EPS-24G4X is a managed Ethernet switch based on Diamond's [EPSM-10GX4 switch module](#). The switch implements all features of the [EPSM-10GX4 Ethernet switch module](#), including 24 10/100/1000Mbps copper ports and 4 10Gbps SFI ports accessed via SFP+ sockets. Depending on the ordering configuration, the switch contains embedded software supporting Layer 2 switching, Layer 3 routing/switching, and optional IEEE1588 PTP operation.

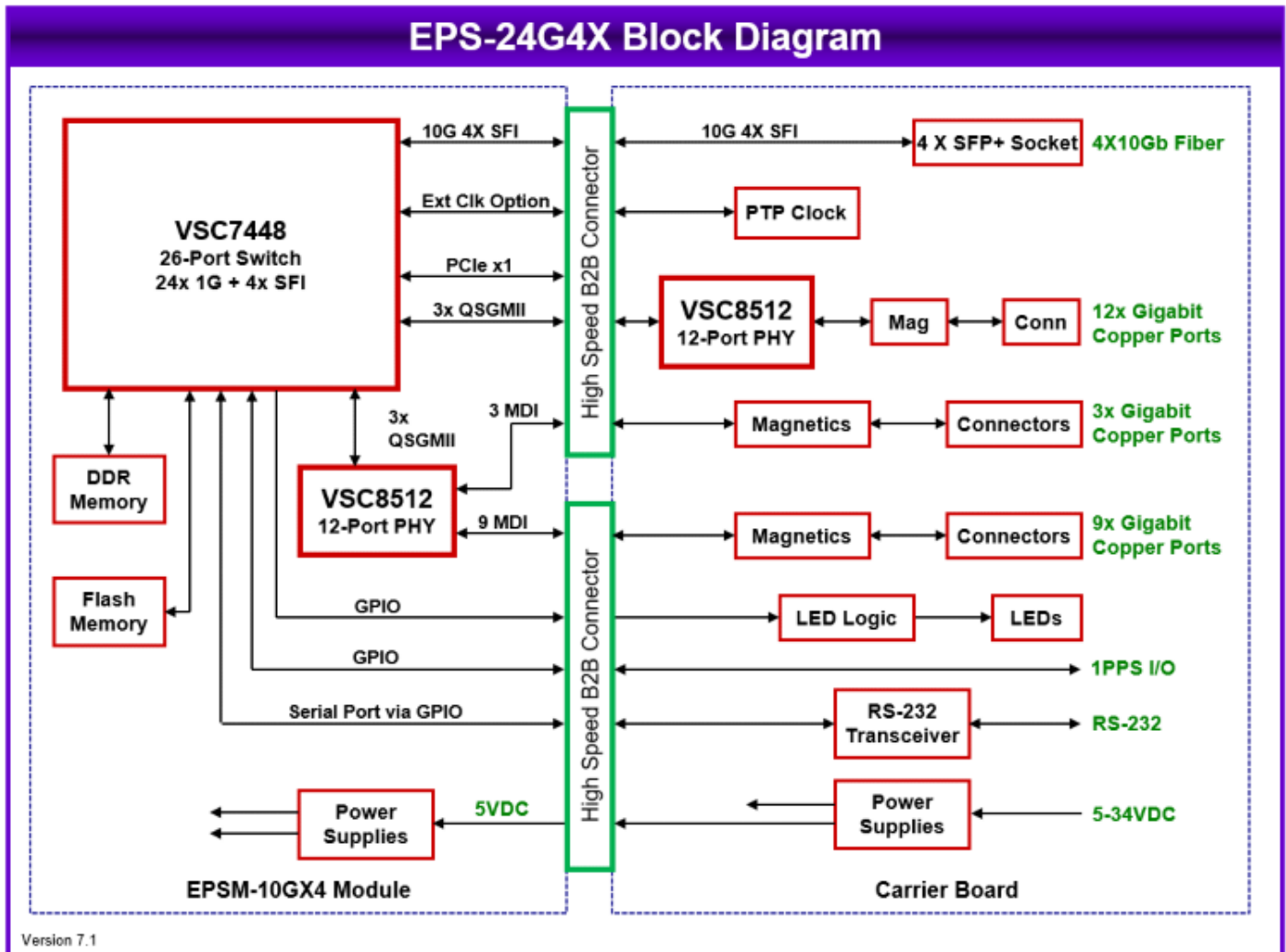
Two software packages are available, Layer 2+ switching and Layer 3 routing/switching. In addition, IEEE-1588 precision time protocol support is available with a minor modification to support an external precision clock circuit and 1pps signal source provided by the carrier board. All software features are manageable via a GUI web interface accessible over any port, as well as with a command language accessed via a built-in RS-232 port.

EPS-24G4X is designed specifically to meet the challenges of vehicle and other rugged environments, with its -40/+85°C operating temperature range, 50% thicker PCB, latching I/O connectors, and its MIL-STD-202G shock/vibration resistance. A wide-range input power supply with built-in transient protection provides

compatibility with a range of industrial and vehicle power supplies. The board also forms the heart of Diamond's SabreNet-24000 rugged Ethernet switch. Cooling for EPS-24G4X is provided via two heat sinks: a low-profile heat sink between the carrier board and the EPSM module and a taller heat sink for the EPSM module.

The EPS-24G4X is included as part of the EPSM-10GX4 development kit. Schematics and bill of materials are included to simplify the development of custom advanced Ethernet switching solutions based on the EPSM-10GX4 module.

◆ Block Diagram



◆ Embedded Software

Two software packages are available for EPS-24G4X, Layer 2+ switching and Layer 3 routing/switching. In addition, IEEE-1588 precision time protocol support is available with a minor modification to install a precision clock circuit on the board. All software features are manageable via a GUI web interface accessible over any port, as well as with a command language accessed via a built-in RS-232 port. Customer branding is available to put your logo / color scheme / part numbers on the GUI and serial interface.

The table below shows some of the more popular features available. For a complete list of features available in each software package, [click here](#).

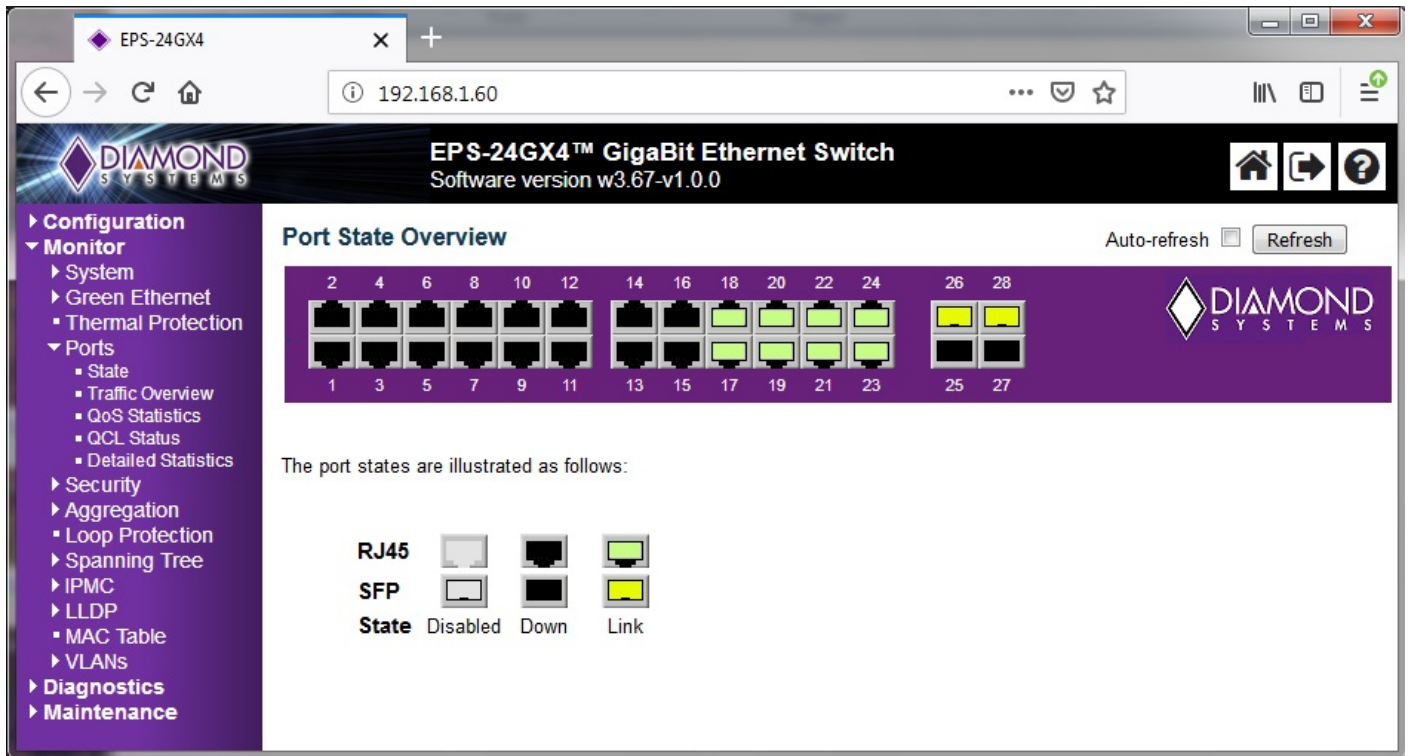
Layer 2+ software highlights include the following:

- 8K MAC addresses and 4K VLANs (IEEE 802.1Q)
- 8K IPv4 and IPv6 multicast group support
- Jumbo frame support at all speeds
- Flexible link aggregation support based on Layer-2 through Layer-4 information (IEEE 802.3ad)
- Multicast and broadcast storm control, as well as flooding control
- Rapid Spanning Tree protocol (RSTP) and MSTP
- Multiple protocol support: IEEE 802.1d, IEEE 802.1w, IEEE 802.1s, and IEEE 802.1X
- 8 priorities and 8 QoS queues per port with scheduling

Layer3 software additional highlights:

- Hardware- and software-based IPv6 L3 static routing

RFC 2328 OSPFv2 dynamic routing
 IEEE 1588 precision time protocol (PTP)
 RADIUS accounting
 Port and Queue policers



◆ Models

- EPS-24G4X Epsilon 28-port Ethernet switch with 24 10/100/1000 ports + 4 10G SFI ports, Layer 2+ switching software
- EPS-24G4X-L3 Epsilon 28-port Ethernet switch with 24 10/100/1000 ports + 4 10G SFI ports, Layer 3 routing/switching software
- EPS-24G4X-1588 Epsilon 28-port Ethernet switch with 24 10/100/1000 ports + 4 10G SFI ports, Layer 3 routing/switching software with IEEE-1588 PTP clock circuit and software support

◆ Cables

A cable kit is available to provide convenient access to all features of the board except the 1PPS signal. Cable kit includes 6 4-port 10/100/1000 Cat 5e RJ-45 cables, power cable, and serial interface cable.



CK-EPS24G2X-01 includes the following cables:

No.	Qty	Cable	Description	Drawing
1	6	6981508	Ethernet Cable, 4 Ports, JST 32 Pin	Show
2	1	6980512	Power input cable, discrete wires	Show
3	1	6981050	Serial Cable, 1x3 2mm to DB9M	Show

◆ Specifications

Number of Ports	24 10/100/1000Mbps Ethernet ports with non-blocking wire-speed performance 4 10G SFP+ ports
Power Management	ActiPHY and PerfectReach power management reduce power for shorter cable lengths and shut down power to disconnected ports
Operating temperature	-40 to +80°C
Weight	389g / 13.7oz
RohS	Compliant
Implementation	2-board solution: EPSM-10GX4 switch module provides core switch function and 12 PHYs; additional 12 PHYs and remaining circuitry implemented on carrier board
On-board Memory	4MB packet memory
Network Management	SNMP v1/v2c/v3; Web GUI and command line interface (CLI)
Serial Port	1 RS-232 port for host interface, 38400/N/8/1
Indicator lights	LEDs for each port indicate link status and speed
Dimensions	107 x 156mm / 4.213 x 6.142"
Input voltage	7-40VDC
Power consumption	Vin = 24VDC: 13W, all ports idle 20W, all 24 1G ports active 26W, all 24G ports and all 4 10G ports active

◆ Models and Accessories

EPS-24G4X

available models:

EPS-24G4X	Ethernet switch with 24 1G ports, 4 10G SFP+ ports, and Layer 2+ management software	Available
EPS-24G4X-1588	Ethernet switch with 24 1G ports, 4 10G SFP+ ports, and Layer 3 management software with routing and IEEE-1588 PTP support	Available
EPS-24G4X-L3	Ethernet switch with 24 1G ports, 4 10G SFP+ ports, and Layer 3 management software with routing support	Available
EPS-24G4X-HSP	Ethernet switch with 24 1G ports, 4 10G SFP+ ports, Layer 2+ management software, and heat spreader mounting system	Available
EPS-24G4X-HSP-1588	Ethernet switch with 24 1G ports, 4 10G SFP+ ports, Layer 3 management software with routing and IEEE-1588 PTP support, and heat spreader mounting system	Available
EPS-24G4X-HSP-L3	Ethernet switch with 24 1G ports, 4 10G SFP+ ports, Layer 3 management software with routing support, and heat spreader mounting system	Available

Please [login](#) or [signup](#) for an online quote request.

Cables and accessories

available models:

CK-EPS24G2X-01	Cable kit including 6 4-port 10/100/1000 Cat 6 RJ-45 cables, power cable, and serial interface cable
6981508	Ethernet Cable, 4 Ports, JST 32 Pin
6980512	Power input cable, discrete wires
6981050	Serial Cable, 1x3 2mm to DB9M

Please [login](#) or [signup](#) for an online quote request.

www.diamondsystems.com | [Sunnyvale, California USA](#) | [+1-650-810-2500](tel:+1-650-810-2500) | sales@diamondsystems.com

Our company network supports you worldwide with offices in Germany, Austria, Switzerland, the UK and the USA. For more information please contact:

Headquarters

Germany



FORTEC Elektronik AG

Augsburger Str. 2b
82110 Germering

Phone: +49 89 894450-0
E-Mail: info@fortecaq.de
Internet: www.fortecaq.de

Fortec Group Members

Austria



Distec GmbH Office Vienna

Nuschinggasse 12
1230 Wien

Phone: +43 1 8673492-0
E-Mail: info@distec.de
Internet: www.distec.de

Germany



Distec GmbH

Augsburger Str. 2b
82110 Germering

Phone: +49 89 894363-0
E-Mail: info@distec.de
Internet: www.distec.de

Switzerland



ALTRAC AG

Bahnhofstraße 3
5436 Würenlos

Phone: +41 44 7446111
E-Mail: info@altrac.ch
Internet: www.altrac.ch

United Kingdom



Display Technology Ltd.

Osprey House, 1 Osprey Court
Hinchingsbrooke Business Park
Huntingdon, Cambridgeshire, PE29 6FN

Phone: +44 1480 411600
E-Mail: info@displaytechnology.co.uk
Internet: www.displaytechnology.co.uk

USA



Apollo Display Technologies, Corp.

87 Raynor Avenue, Unit 1
Ronkonkoma, NY 11779

Phone: +1 631 5804360
E-Mail: info@apolloDisplays.com
Internet: www.apolloDisplays.com