

Manual/Datasheet

BOE

FI32-RLA, FI43-RLA, FI55-RLA,

FI65-RLA, FI75-RLA, FI85-RLA

350nits Android SoC IR Touch Free Standing

MO-01-123 FI55-RLA



 APOLLO DISPLAY
TECHNOLOGIES



FORTEC
INTEGRATED



FORTEC
UNITED KINGDOM



The information contained in this document has been carefully researched and is, to the best of our knowledge, accurate. However, we assume no liability for any product failures or damages, immediate or consequential, resulting from the use of the information provided herein. Our products are not intended for use in systems in which failures of product could result in personal injury. All trademarks mentioned herein are property of their respective owners. All specifications are subject to change without notice.

FI**-RLA

32"/43"/49"/55"/65"/75"/85"

350nits Android SoC IR Touch Free Standing



Key Feature

- FHD & UHD Resolution
- 350nits. Standard brightness, can be customized according to demand
- Android Soc
- IR Touch
- Tempered glass protection
- Easy maintenance
- Built-In Speaker
- Android main board + monitor main board scheme design
- Support HDMI IN

Specification

Display

Model	FI32-RLA	FI43-RLA	FI49-RLA	FI55-RLA	FI65-RLA	FI75-RLA	FI85-RLA
Screen Size (Diagonal)	32inch	43inch	49inch	55inch	65inch	75inch	85inch
Native Resolution	1920x1080					3840x2160	
LCD Tech.	ADS						
Aspect Ratio	16: 9						
Brightness (module)	350 cd/m ²						
Contrast	1200:1						
View Angle	178°(H) / 178°(V)						
Display Color	16.7M(8bits-true)						
Response Time	8ms						
Life Time (Light Source)	50,000 Hrs						

Internal Player

O/S	Android 9.0
CPU	RK 3288,Cortex-A17@1.8GHz
RAM/ROM	2GB / 16GB
Input	1xUSB / 1xHDMI / 1xRJ45
Networks	LAN / WIFI / Bluetooth
Built-In Speaker	2 x10W (8Ω)

Touch Technology

Touch	IR Touch
Positioning accuracy	8± 2mms
IR Touch Resolution	8192 x 8192
Click manner	10 Points
Response Time	≤ 20ms

Power

Model	FI32-RLA	FI43-RLA	FI49-RLA	FI55-RLA	FI65-RLA	FI75-RLA	FI85-RLA
Power supply	AC 100~240V 50/60Hz						
Power consumption	≤ 60W	≤ 80W	≤ 120W	≤ 120W	≤ 150W	≤ 200W	≤ 280W

Environment

Operation temperature	0°C~50°C
Operation humidity	20%~80% RH

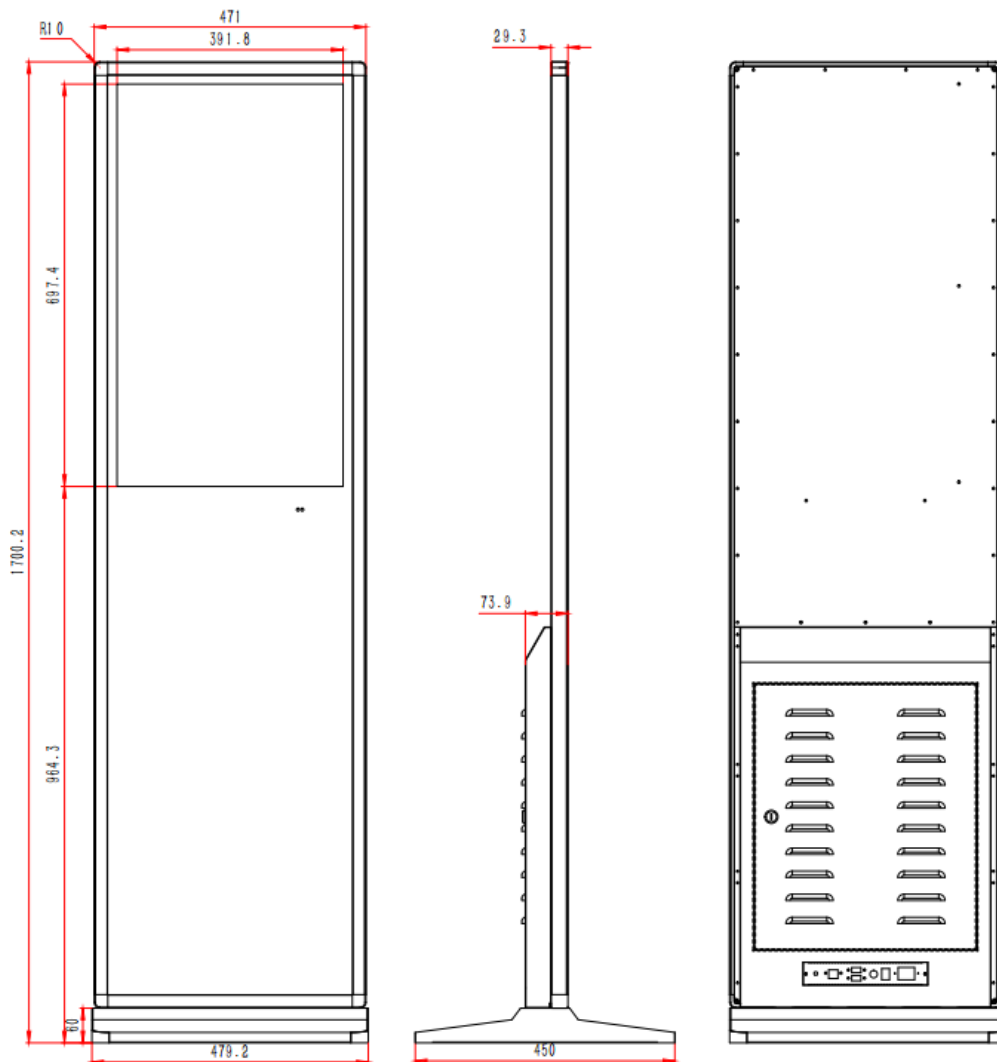
Specification

Physical

Model	FI32-RLA	FI43-RLA	FI49-RLA	FI55-RLA
Color	White/Black			
Tempered Glass	Yes			
Body Dimension w/o Stand (H) x(V) x (D) (mm)	471 x 1640.02 x 73.9	603.4 x 1727 x 73.9	680.5 x 1799.6 x 73.9	757 x 1899.9 x 73.9
Body Dimension with Stand (H) x(V) x (D) (mm)	479.2x 1700.02 x 450	610.6 x 1787 x 450	688.7 x 1859.6 x 450	764 x 1959.9 x 450
Set Weight(kg)	34	43	49	58
Package Dimension (H) x(V) x (D) (mm)	610 x 1810 x 220	740 x 1890 x 220	740 x 1890 x 220	905x 2065 x 220
Package Weight(kg)	36	45	51	60

Dimension Drawing

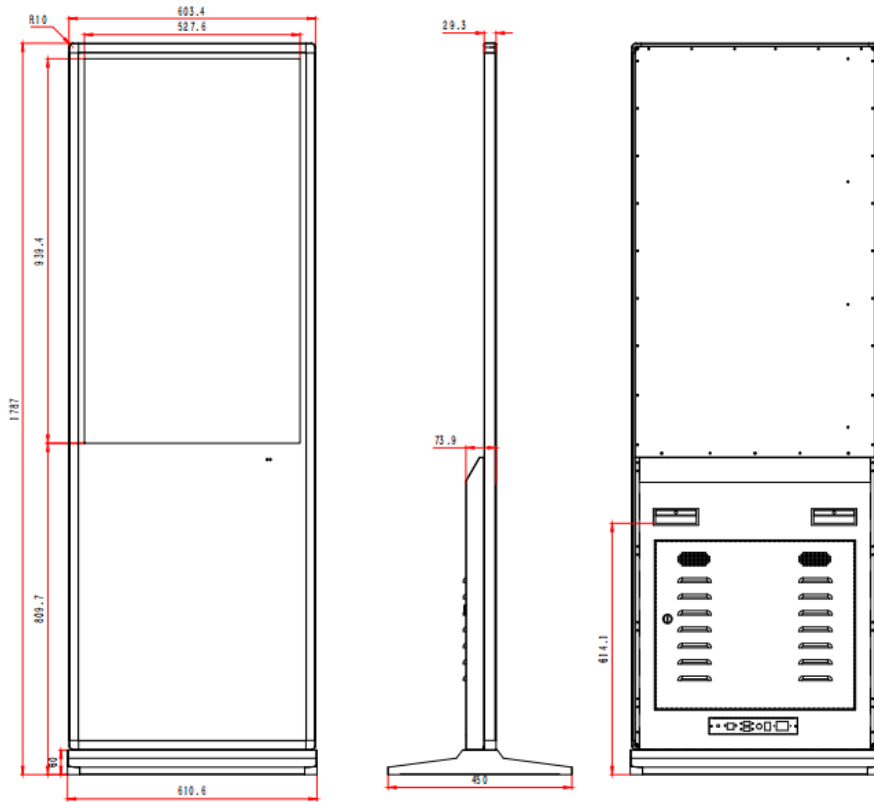
FI32-RLA



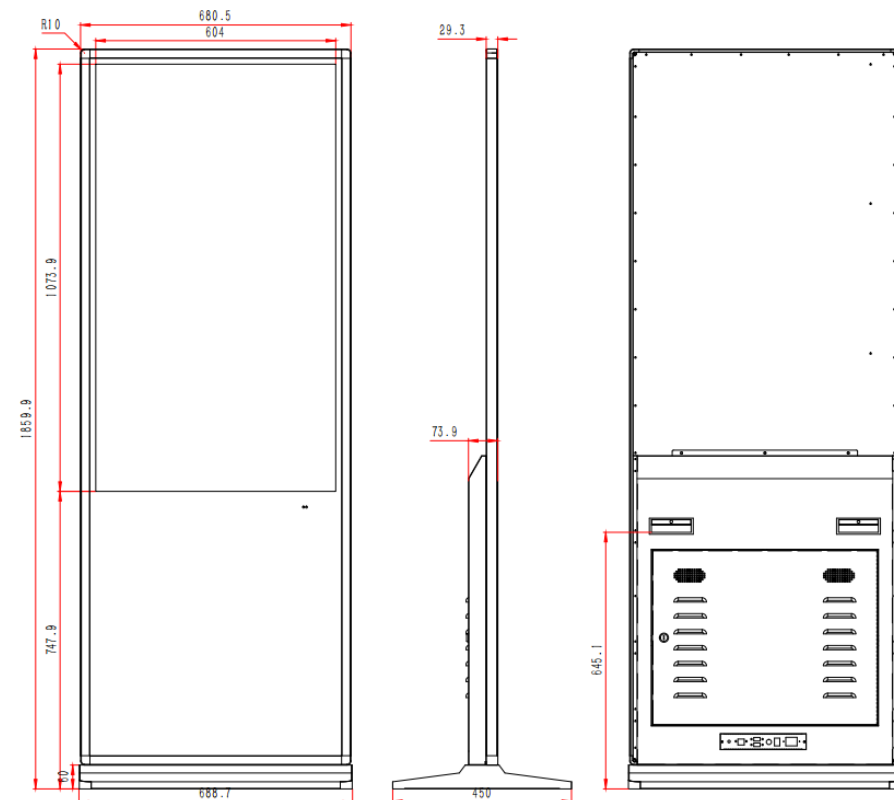
Specification

Dimension Drawing

FI43-RLA



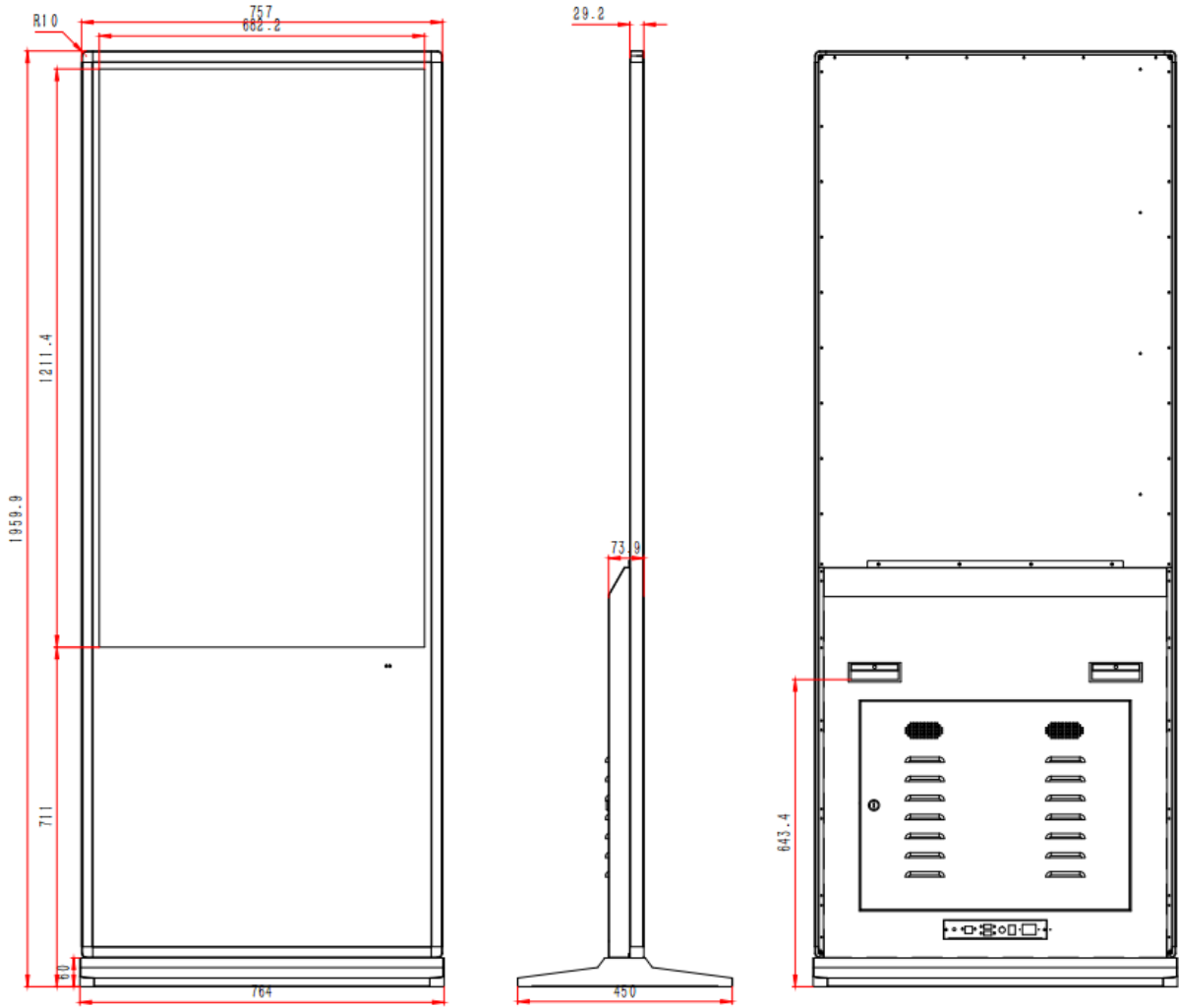
FI49-RLA



Specification

Dimension Drawing

FI55-RLA



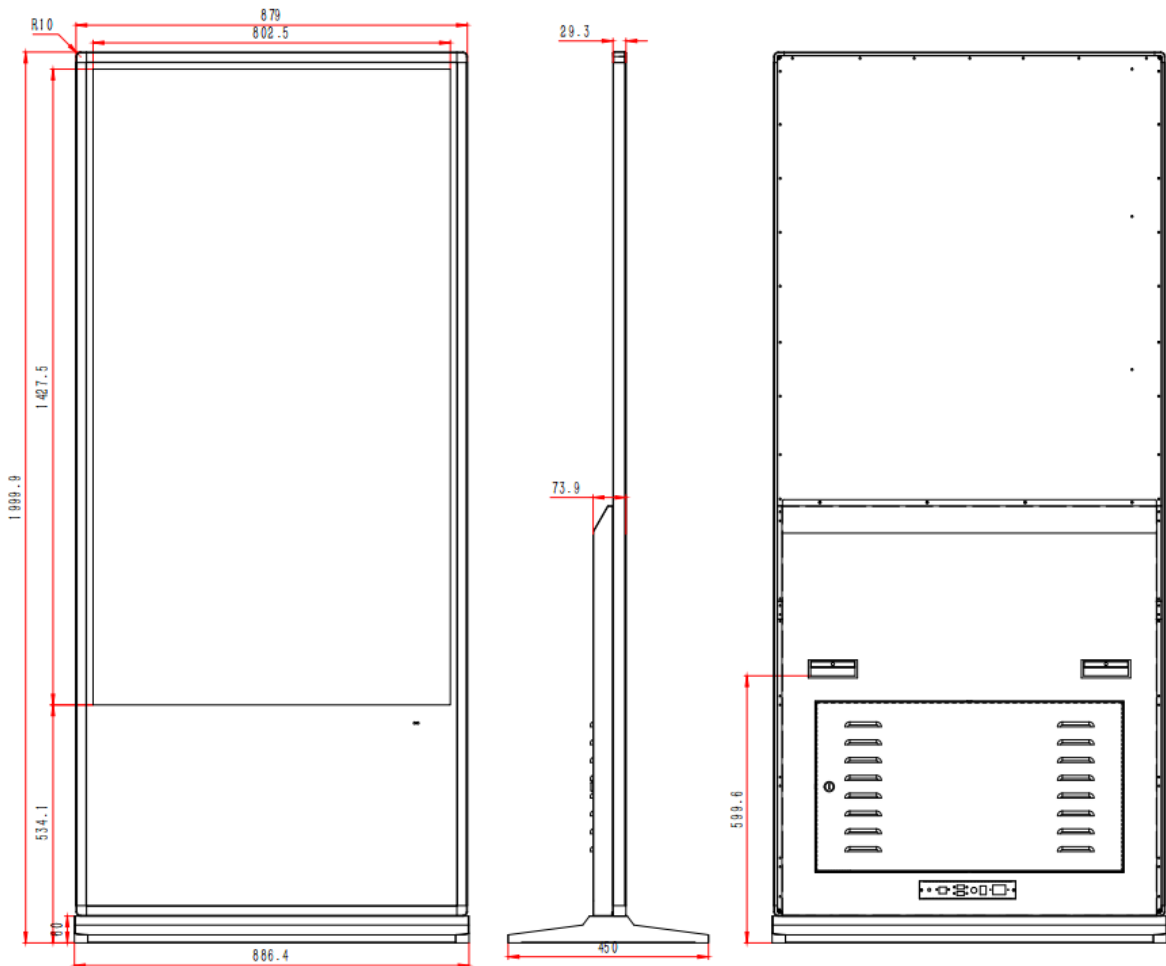
Specification

Physical

Model	FI65-RLA	FI75-RLA	FI85-RLA
Color	White/Black		
Tempered Glass	Yes		
Body Dimension w/o Stand (H) x(V) x (D) (mm)	879x 1939.9 x73.9	1004.9x 1940.1 x 103.5	1154.1x 2131.1 x 103.5
Body Dimension with Stand (H) x(V) x (D) (mm)	886.4x 1999.9 x 450	1005x 2000.1 x 700	1154.2x 2191.1 x700
Set Weight(kg)	73	88	102
Package Dimension (H) x(V) x (D) (mm)	1015x 2100 x 220	1125x 2120 x 225	1275x 2220 x 225
Package Weight(kg)	76	92	106

Dimension Drawing

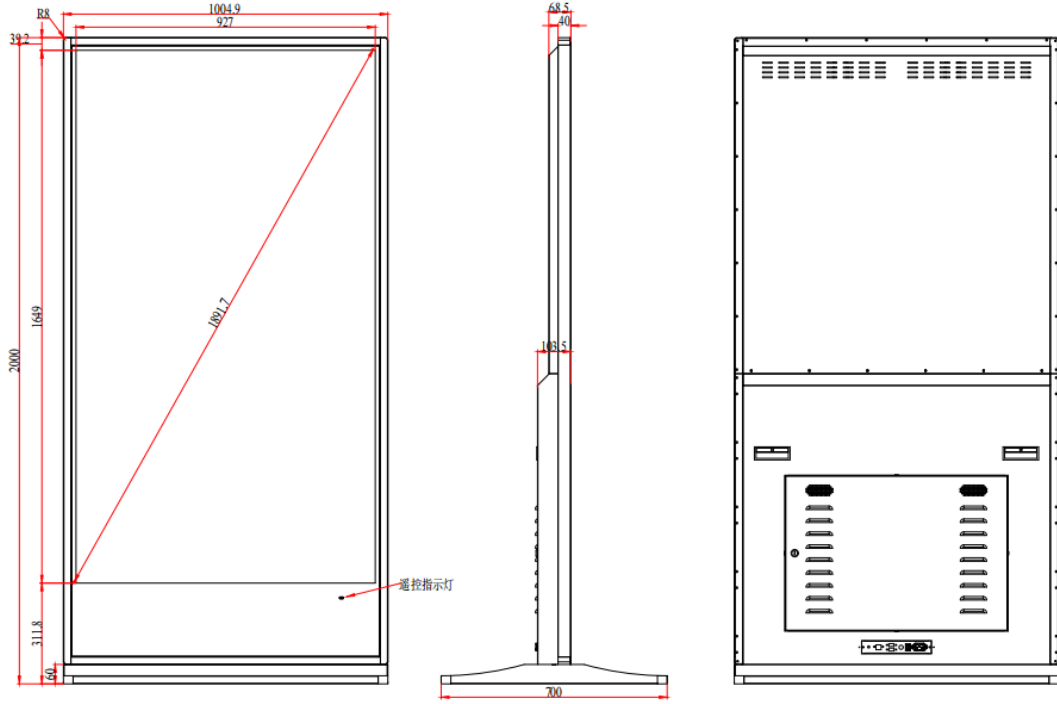
FI65-RLA



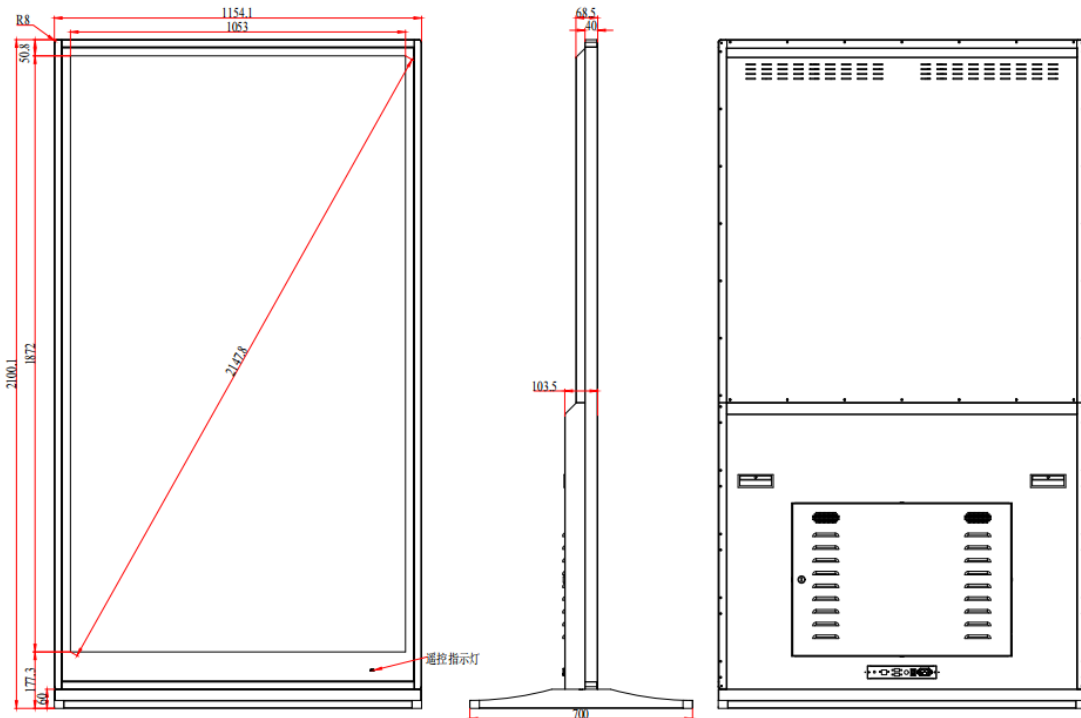
Specification

Dimension Drawing

FI75-RLA



FI86-RLA



Our company network supports you worldwide with offices in Germany, Austria, Switzerland, the UK and the USA.
For more information please contact:

Headquarters

Germany



FORTEC
GROUP

FORTEC Elektronik AG
Augsburger Str. 2b
82110 Germering

Phone: +49 89 894450-0
E-Mail: info@fortecag.de
Internet: www.fortecag.de

Fortec Group Members

Austria



FORTEC
INTEGRATED

FORTEC Integrated GmbH Office Vienna
Nuschinggasse 12
1230 Wien

Phone: +43 1 8673492-0
E-Mail: info@fortec-integrated.de
Internet: www.fortec-integrated.de

Germany



FORTEC
INTEGRATED

FORTEC Integrated GmbH
Augsburger Str. 2b
82110 Germering

Phone: +49 89 894363-0
E-Mail: info@fortec-integrated.de
Internet: www.fortec-integrated.de

Switzerland



FORTEC
SWITZERLAND

FORTEC Switzerland AG
Bahnhofstraße 3
5436 Würenlos

Phone: +41 44 7446111
E-Mail: info@fortec.ch
Internet: www.fortec.ch

United Kingdom



FORTEC
UNITED KINGDOM

FORTEC Technology UK Ltd.
Osprey House, 1 Osprey Court
Hinchingsbrook Business Park
Huntingdon, Cambridgeshire, PE29 6FN

Phone: +44 1480 411600
E-Mail: info@fortec.uk
Internet: www.fortec.uk

USA



 **APOLLO DISPLAY**
TECHNOLOGIES
A FORTEC GROUP MEMBER

Apollo Display Technologies, Corp.
87 Raynor Avenue, Unit 1
Ronkonkoma, NY 11779

Phone: +1 631 5804360
E-Mail: info@apolloDisplays.com
Internet: www.apolloDisplays.com