



OUR GLOBAL  
COMPETENCE  
CENTRES

 APOLLO DISPLAY  
TECHNOLOGIES



 DISTEC



 DISPLAY  
TECHNOLOGY



# Datasheet

## iBASE

### IBR210

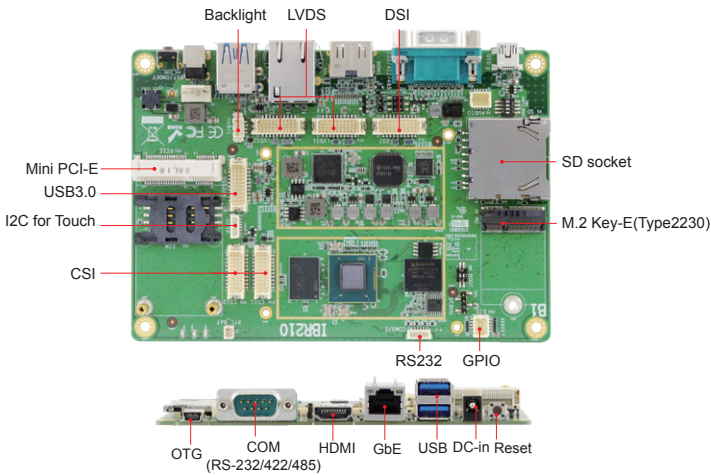
**3,5" Low Power Single-Board Computer with NXP i.MX 8M Dual/Quad Cortex-A53 ARM® Processor**



---

The information contained in this document has been carefully researched and is, to the best of our knowledge, accurate. However, we assume no liability for any product failures or damages, immediate or consequential, resulting from the use of the information provided herein. Our products are not intended for use in systems in which failures of product could result in personal injury. All trademarks mentioned herein are property of their respective owners. All specifications are subject to change without notice.

---



## Features

- With NXP Cortex-A53/Cortex-M4, i.MX 8M Dual/Quad 1.5GHz Processor
- Supports 4K HDMI, dual channel FHD LVDS
- Supports 3GB LPDDR4, 8/16/32/64GB eMMC and SD socket
- Supports embedded I/O for COM, GPIO, USB3.0, USB-OTG, Audio and Ethernet
- Supports M.2 Key-E (2230) and mini-PCI-E with SIM socket for wireless/4G/LTE connectivity

## System

Form Factor	3.5-inch Disk-Size SBC
Processor	NXP i.MX 8M Dual/Quad Cortex-A53 and Cortex-M4, 1.5GHz
System Memory	3GB LPDDR4 on board
Flash Memory	8GB eMMC on board (optional 16/32/64 GB)
Display	1x Dual Channel LVDS (FHD) 1x HDMI V2.0a
Video Codec	<ul style="list-style-type: none"> <li>• 4Kp60 HEVC/H.265 main, and main 10 decoder</li> <li>• 4Kp60 VP9 decoder</li> <li>• 4Kp30 AVC/H.264 decoder</li> <li>• 1080p60 MPEG-2, MPEG-4p2, VC-1, VP8, RV9, AVS, MJPEG, H.263 decoder</li> </ul>
Graphics	<ul style="list-style-type: none"> <li>• GC7000Lite</li> <li>• OpenGL ES 1.1, 2.0, 3.0, 3.1, Open CL 1.2, and Vulkan</li> </ul>
Edge I/O	1x RJ45 GbE LAN 2x USB 3.0 Type-A 1x USB OTG (mini-USB Type-B) 1x HDMI V2.0a 1x RS232/422/485 (D-SUB 9 male connector) 1x SD socket (UHS-I SDR-104, 104MB/s max.) 1x On/Off button
Header, Expansion & LEDs	1x Dual Channel LVDS 1x Backlight, 3.3V/1A, 5V/1A, 12/1A (jumper selection) 1x MIPI-DSI (2*10 pin header) 2x MIPI-CSI (2*10 pin header) 2x USB3.0 header 1x M.2 Key-E (2230) w/ USB, SDIO, UART, PCI-E 1x Mini PCI-E w/ SIM socket 1x I <sup>2</sup> C header 1x 2-wire RS232 header (for Debug Console Port) 2x 2-wire RS232 header 1x Audio header (Line-in and Line-out) 8x GPIO (2*5 pin header 1.0mm) 3x Green LEDs (for power On/Off, wireless status, and programmable)

Watchdog	256 Levels, 0~128 secs
Dimensions	147mm x 102mm (5.8" x 4")
Power Input	12~24V DC-in Jack and Internal Header
Operating Temperature	0°C ~ 70°C (Option: -40°C ~ 85°C)
OS Support	Yocto v2.5 (Kernel 4.14.62) Android 9 (Kernel 4.14.62)
Relative Humidity	10%~90% (non-condensing)
Certification	CE/FCC Class B

## Ordering Information

IBR210-D308	3.5" SBC, i.MX 8M Dual 1.5GHz, 3GB LPDDR4, 8GB MLC eMMC
IBR210-D308I	Industrial Grade 3.5" SBC, i.MX 8M Dual 1.3GHz, 3GB LPDDR4, 8GB MLC eMMC
IBR210-Q316	3.5" SBC, i.MX 8M Quad 1.5GHz, 3GB LPDDR4, 16GB TLC eMMC
IBR210-Q316I	Industrial Grade 3.5" SBC, i.MX 8M Quad 1.3GHz, 3GB LPDDR4, 16GB TLC eMMC

Our company network supports you worldwide with offices in Germany, Austria, Switzerland, the UK and the USA. For more information please contact:

## Headquarters

### Germany



#### FORTEC Elektronik AG

Augsburger Str. 2b  
82110 Germering

Phone: +49 89 894450-0  
E-Mail: [info@fortecag.de](mailto:info@fortecag.de)  
Internet: [www.fortecag.de](http://www.fortecag.de)

## Fortec Group Members

### Austria



#### Distec GmbH Office Vienna

Nuschinggasse 12  
1230 Wien

Phone: +43 1 8673492-0  
E-Mail: [info@distec.de](mailto:info@distec.de)  
Internet: [www.distec.de](http://www.distec.de)

### Germany



#### Distec GmbH

Augsburger Str. 2b  
82110 Germering

Phone: +49 89 894363-0  
E-Mail: [info@distec.de](mailto:info@distec.de)  
Internet: [www.distec.de](http://www.distec.de)

### Switzerland



#### ALTRAC AG

Bahnhofstraße 3  
5436 Würenlos

Phone: +41 44 7446111  
E-Mail: [info@altrac.ch](mailto:info@altrac.ch)  
Internet: [www.altrac.ch](http://www.altrac.ch)

### United Kingdom



#### Display Technology Ltd.

Osprey House, 1 Osprey Court  
Hichingbrooke Business Park  
Huntingdon, Cambridgeshire, PE29 6FN

Phone: +44 1480 411600  
E-Mail: [info@displaytechnology.co.uk](mailto:info@displaytechnology.co.uk)  
Internet: [www.displaytechnology.co.uk](http://www.displaytechnology.co.uk)

### USA



#### Apollo Display Technologies, Corp.

87 Raynor Avenue,  
Unit 1 Ronkonkoma,  
NY 11779

Phone: +1 631 5804360  
E-Mail: [info@apolloDisplays.com](mailto:info@apolloDisplays.com)  
Internet: [www.apolloDisplays.com](http://www.apolloDisplays.com)