



OUR GLOBAL
COMPETENCE
CENTRES

 APOLLO DISPLAY
TECHNOLOGIES



 DISTEC



 DISPLAY
TECHNOLOGY




Datasheet

AUO

; % * LHH\$%%

WÜEGEÏ

() Preliminary Specifications
 (V) Final Specifications

Module	15.6 Inch Color TFT-LCD
Model Name	G156XTT01.1
Note ()	G/G P-cap touch TTL module

<p>Customer _____</p> <p>Date _____</p> <p>Checked & Approved by</p> <p>_____</p>	<p>Approved by</p> <p>Sean Lin</p> <p>Date</p> <p>2016/05/20</p> <p>Prepared by</p> <p>Robert Hsieh</p> <p>Date</p> <p>2016/05/20</p>
<p>Note: This Specification is subject to change without notice.</p>	<p>Audio-Video Business Unit / AU Optronics corporation</p>

Contents

1. Operating Precautions	4
2. General Description	5
2.1 Display Characteristics	5
2.2 General Touch Characteristics	6
2.3 Optical Characteristics	7
3. Functional Block Diagram	13
4. Absolute Maximum Ratings	14
4.1 Absolute Ratings of TFT LCD Module.....	14
4.2 Absolute Ratings of Touch Sensor	14
4.3 Absolute Ratings of Environment.....	14
5. Electrical Characteristics	16
5.1 TFT LCD Module	16
5.2 Backlight Unit.....	18
5.3 Touch Sensor	18
6. Signal Characteristic	20
6.1 Pixel Format Image	20
6.2 The input data format.....	20
6.3 Signal Description	21
6.4 Timing Characteristics.....	23
6.5 I Input Timing Diagram.....	24
6.6 Power ON/OFF Sequence.....	25
7. Connector & Pin Assignment	27
7.1 TFT-LCD Signal: LVDS Interface	27
7.2 T Backlight Unit	28
7.2.1 T Backlight Unit.....	28
7.3 Touch Signal : USB Interface.....	28
7.4 Touch Connector Illustration	29
8. Reliability Test Criteria	30
9. Mechanical Characteristics	31
9.1 Total solution Outline Dimension (Front View)	31
9.2 Total solution Outline Dimension (Rear View).....	32
10. Label and Packaging	33
10.1 Shipping Label (on the rear side of TFT-LCD display).....	33
10.2 Carton Package	34
10.3 Palletizing.....	35



Record of Revision

Version and Date	Page	Old description	New Description
0.0 2015/9/22	All	First Preliminary Edition	
1.0 2015/10/13	All	First Formal Edition	
1.1 2015/10/15	30,31	Power button, FPCA	Power button black circle, FPCA with Kapton at front side & back side, add vendor 2D code on FPCA front side
1.2 2016/3/14	6		Add transmittance data, 10 touch points data
1.3 2016/04/01	6		Add single touch point life time items
1.4 2016/05/20	6		Add ball drop test item 230g, 50 cm
1.5 2018/03/27	35		Update box package qty and total weight Max capacity : 8pcs TFT-LCD module per carton Max weight: 12.8kg per carton Outside dimension of carton:523mm(L)* 483mm(W)*277mm(H) Pallet size : 1150 mm * 980mm * 132mm

AUO

1. Operating Precautions

- 1) Since front polarizer is easily damaged, please be cautious and not to scratch it.
- 2) Be sure to turn off power supply when inserting or disconnecting from input connector.
- 3) Wipe off water drop immediately. Long contact with water may cause discoloration or spots.
- 4) When the panel surface is soiled, wipe it with absorbent cotton or soft cloth.
- 5) Since the panel is made of glass, it may be broken or cracked if dropped or bumped on hard surface.
- 6) Since CMOS LSI is used in this module, take care of static electricity and insure human earth when handling.
- 7) Do not open nor modify the module assembly.
- 8) Do not press the reflector sheet at the back of the module to any direction.
- 9) In case if a module has to be put back into the packing container slot after it was taken out from the container, do not press the center of the LED Reflector edge. Instead, press at the far ends of the LED Reflector edge softly. Otherwise the TFT Module may be damaged.
- 10) At the insertion or removal of the Signal Interface Connector, be sure not to rotate nor tilt the Interface Connector of the TFT Module
- 11) TFT-LCD Module is not allowed to be twisted & bent even force is added on module in a very short time. Please design your display product well to avoid external force applying to module by end-user directly.
- 12) Small amount of materials without flammability grade are used in the TFT-LCD module. The TFT-LCD module should be supplied by power complied with requirements of Limited Power Source (IEC60950-1 or UL60950-1) or be applied exemption.
- 13) Severe temperature condition may result in different luminance, response time.
- 14) Continuous operating TFT-LCD Module under high temperature environment may accelerate LED light bar exhaustion and reduce luminance dramatically.
- 15) The data on this specification sheet is applicable when TFT-LCD module is placed in landscape position.
- 16) Continuous displaying fixed pattern may induce image sticking. It's recommended to use screen saver or moving content periodically if fixed pattern is displayed on the screen.

2. General Description

This specification applies to the 15.6 inch-wide Color a-Si TFT-LCD Module G156XW01. The display supports the HD - 1366(H) x 768(V) screen format and 16.2M colors (RGB 6-bits + 2-FRC data). All input signals are LVDS interface and this module contains with an LED driver for backlight.

2.1 Display Characteristics

The following items are characteristics summary on the table under 25 °C condition:

Items	Unit	Specifications
Screen Diagonal	[inch]	15.6
Active Area	[mm]	344.232 (H) x 193.536 (V)
Pixels H x V		1366(x3) x 768
Pixel Pitch	[mm]	252 (per one triad) x252
Pixel Arrangement		R.G.B. Vertical Stripe
Display Mode		TN, Normally White
Nominal Input Voltage VDD	[Volt]	+5.0 V
LCD Power Consumption	[Watt]	2.15W (Typ.), 2.6W (Max.) (all black pattern)
LED Power Consumption	[Watt]	6W (Typ.), 7.2 W (Max.) (all black pattern)
Weight	[Grams]	1350 (Typ.), 1485 (Max.)
Physical Size	[mm]	363.8(W) X 215.9(H) X 9.3 (D) Typ. w/o touch
Electrical Interface		One channel LVDS
Surface Treatment		Anti-Glare, 3H
Support Color		16.2M
Temperature Range Operating Storage (Non-Operating)	[°C] [°C]	0 to +60(+60°C as panel surface temperature) -20 to +60
RoHS Compliance		RoHS Compliance
Light Bar Unit		LED, Replaceable

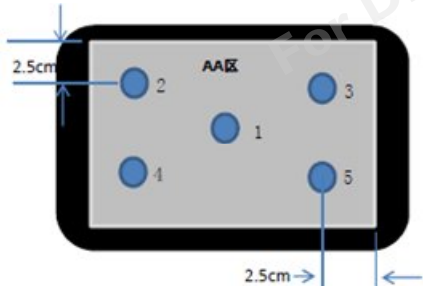
2.2 General Touch Characteristics

Item		Unit	Specifications
Cover Lens	O.D.	[mm]	382.2x 245.8
	Thickness	[mm]	1.1
C/L Visual Area		[mm]	346 x 195.3
Sensor Glass	O.D.	[mm]	357.8 x 205.3
	Thickness	[mm]	0.7
TP Active Area		[mm]	346.2 x 195.5
Total Weight		g	630 (max.)
Substrate Material			SDL CS Glass
Touch points			10
Transmittance (%)			87% +/- 3%
Single Touch Point Life Time			100 Millions times
Chemical Strength		Mpa	≥ 400
Surface Hardness			≥ 7H
Ball Drop			230g,50 cm
Interface			USB 1.1 full speed
Touch Resolution			Same with display resolution
Single / Multi-touch Accuracy		[mm]	Center: 1 Edge 1.5
Linearity		[mm]	Center +/-1 Edge:+-1.5
The smallest distance between 2 points		[mm]	13
Channel (X * Y)			72 * 41
Report Rate (points /sec)		[Hz]	>100
Power Consumption		[mW]	454 (Max)
Operating System			Support windows 7, Win8 ,Linux & Android.

Note1. Driver is required in Win7 & WinXP & Linux & Android

Note2. Touch point life time test is loading 200g , 8mm passive stylus 2 times/sec at the same point, 100 million times test.

Note3. The ball drop test illustration is showed as follow:



2.3 Optical Characteristics

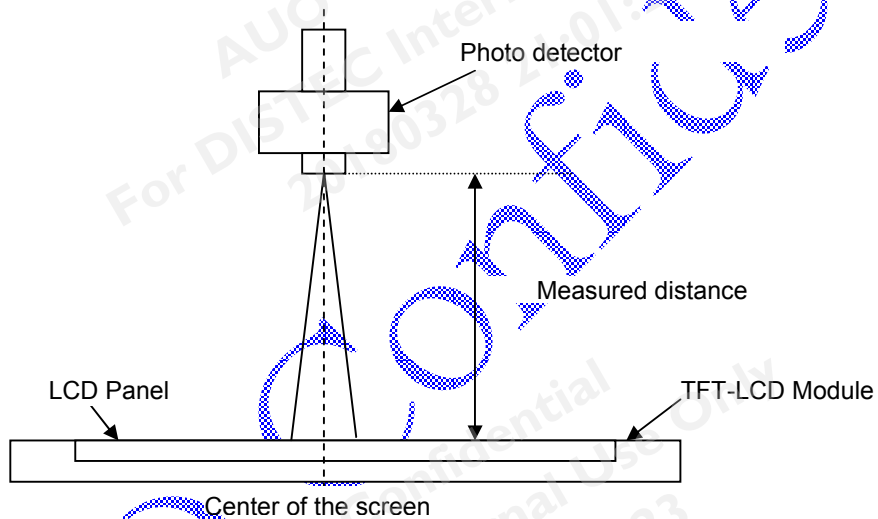
The optical characteristics are measured under stable conditions at 25 °C:

Item	Unit	Conditions	Min.	Typ.	Max.	Note
Viewing Angle	[degree]	Horizontal (Right)	75	85	-	1,2
		CR = 10 (Left)	75	85	-	
		Vertical (Up)	70	80	-	
Contrast ratio		CR = 10 (Down)	70	80	-	3
		Normal Direction	350	500	-	
Response Time	[msec]	Raising Time (T _{rR})	-	6	9	4
		Falling Time (T _{rF})	-	2	4	
		Raising + Falling	-	8	13	
Color Coordinates (CIE) White		Red x	0.575	0.625	0.675)	5
		Red y	0.293	0.343	0.393	
		Green x	0.276	0.326	0.376	
		Green y	0.567	0.617	0.667	6 7
		Blue x	0.104	0.154	0.204	
		Blue y	0.019	0.069	0.119	

		White x	0.263	0.313	0.363
		White y	0.279	0.329	0.379
Central Luminance	[cd/m ²]		280	350	-
Luminance Uniformity	[%]		70	75	-

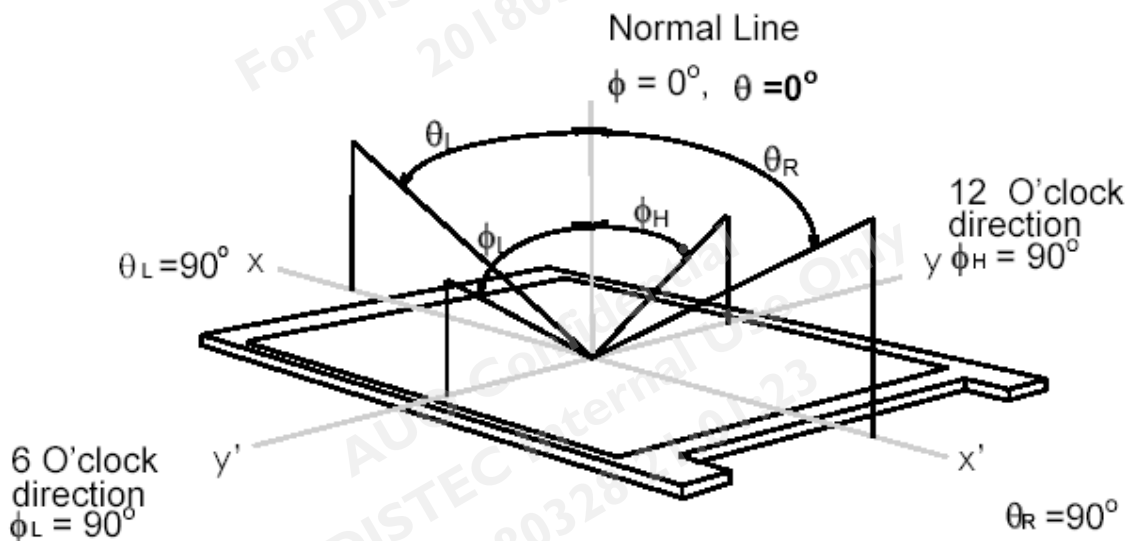
Note 1: Measurement method

The LCD module should be stabilized at given temperature for 30 minutes to avoid abrupt temperature change during measuring (at surface 35 °C). In order to stabilize the luminance, the measurement should be executed after lighting Backlight for 30 minutes in a stable, windless and dark room.



Note 2: Definition of viewing angle measured by ELDIM (EZContrast 88)

Viewing angle is the measurement of contrast ratio ≥ 10 and ≥ 5 , at the screen center, over a

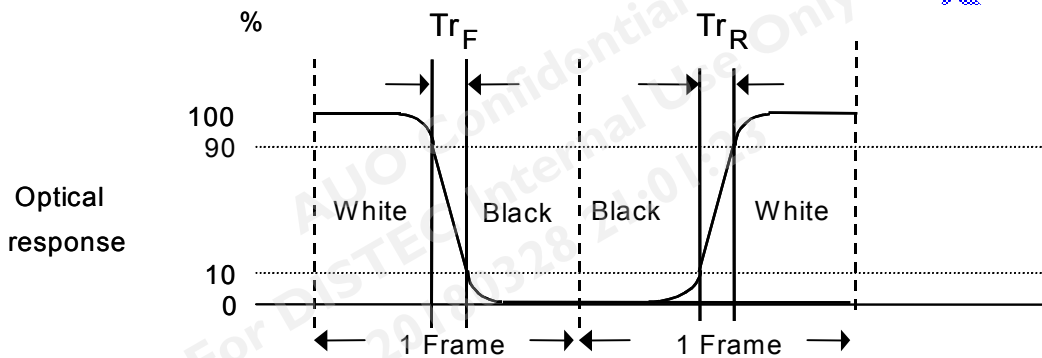


180° horizontal and 180° vertical range (off-normal viewing angles). The 180° viewing angle range is broken down as follows; 90° (θ) horizontal left and right and 90° (Φ) vertical, high (up) and low (down). The measurement direction is typically perpendicular to the display surface with the screen rotated about its center to develop the desired measurement viewing angle.

Note 3: Contrast ratio is measured by TOPCON SR-3

Note 4: Definition of Response time measured by Westar TRD-100A

The output signals of photo detector are measured when the input signals are changed from “Full Black” to “Full White” (rising time, Tr_R), and from “Full White” to “Full Black” (falling time, Tr_F), respectively. The response time is interval between the 10% and 90% (1 frame at 60 Hz) of amplitudes.

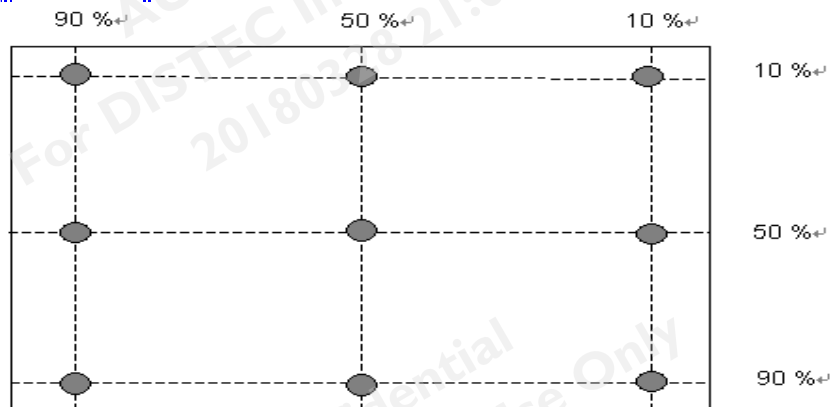


$Tr_R + Tf_F = 8 \text{ msec (typ.)}$.

Note 5: Color chromaticity and coordinates (CIE) is measured by TOPCON SR-3

Note 6: Central luminance is measured by TOPCON SR-3

Note 7: Luminance uniformity of these 9 points is defined as below and measured by TOPCON SR-3



$$\text{Uniformity} = \frac{\text{Minimum Luminance in 9 points (1-9)}}{\text{Maximum Luminance in 9 Points (1-9)}}$$



AUO Confidential
For DISTEC Internal Use Only
20180328 21:01:23

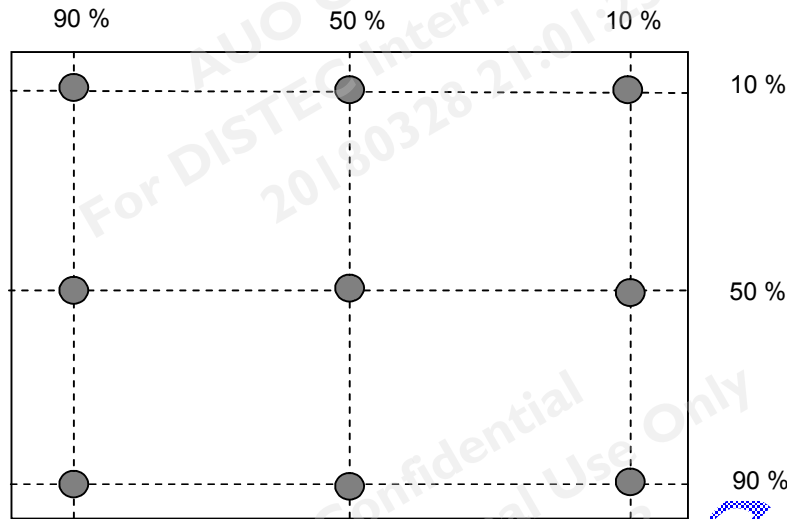
AUO Confidential
For DISTEC Internal Use Only
20180328 21:01:23

AUO Confidential

AUO Confidential
For DISTEC Internal Use Only
20180328 21:01:23

AUO Confidential
For DISTEC Internal Use Only
20180328 21:01:23

Note 2: Definition of 9 points position (Display active area : 344.232(H) x 193.536(V))



Note 3: The luminance uniformity of 9 points is defined by dividing the minimum luminance values by the maximum test point luminance

$$\delta_{w9} = \frac{\text{Minimum Brightness of nine points}}{\text{Maximum Brightness of nine points}}$$

Note 4 : Definition of contrast ratio (CR):

$$\text{Contrast ratio (CR)} = \frac{\text{Brightness on the "White" state}}{\text{Brightness on the "Black" state}}$$

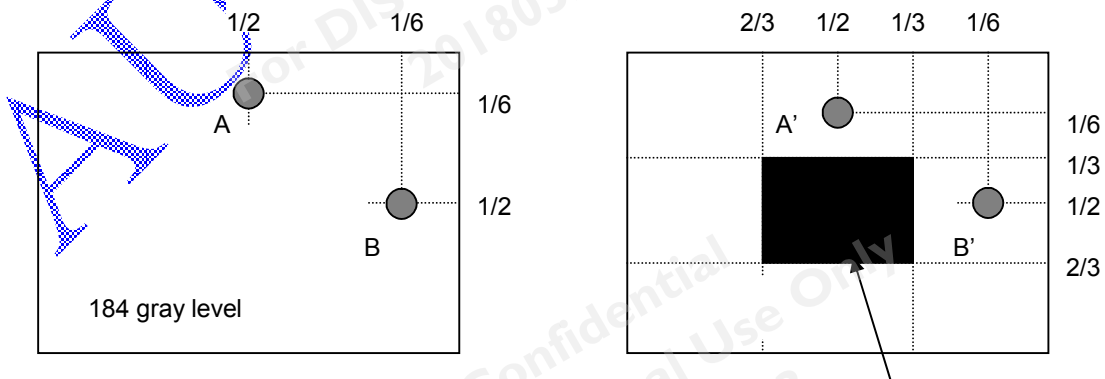
Note 5 : Definition of cross talk (CT)

$$CT = |YB - YA| / YA \times 100 (\%)$$

Where

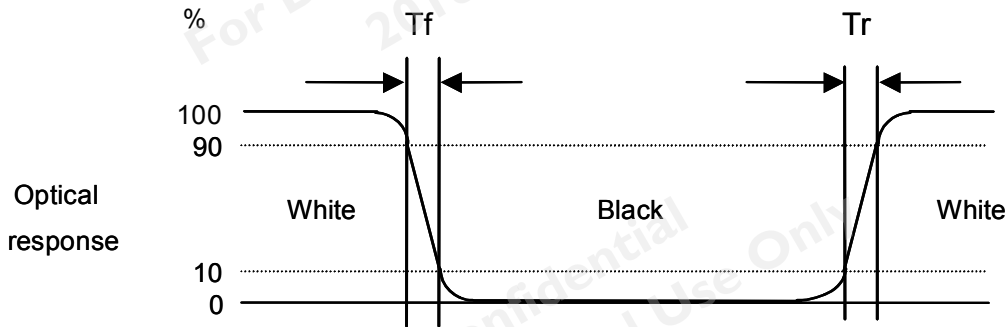
YA = Luminance of measured location without gray level 0 pattern (cd/m²)

YB = Luminance of measured location with gray level 0 pattern (cd/m²)



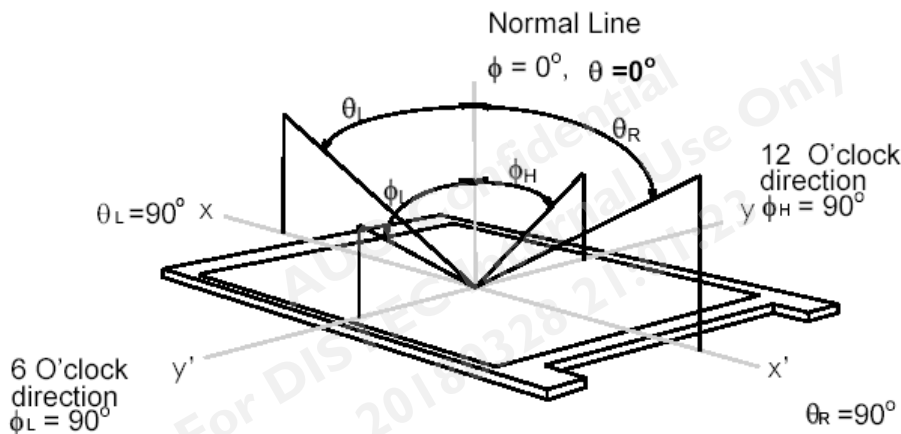
Note 6: Definition of response time:

The output signals of photo detector are measured when the input signals are changed from “White” to “Black” (falling time) and from “Black” to “White” (rising time), respectively. The response time interval is between 10% and 90% of amplitudes. Please refer to the figure as below.



Note 7: Definition of viewing angle

Viewing angle is the measurement of contrast ratio ≥ 10 , at the screen center, over a 180° horizontal and 180° vertical range (off-normal viewing angles). The 180° viewing angle range is broken down as below: 90° (θ) horizontal left and right, and 90° (Φ) vertical high (up) and low (down). The measurement direction is typically perpendicular to the display surface with the screen rotated to its center to develop the desired measurement viewing angle.



Note 8: Definition of Gamma Value

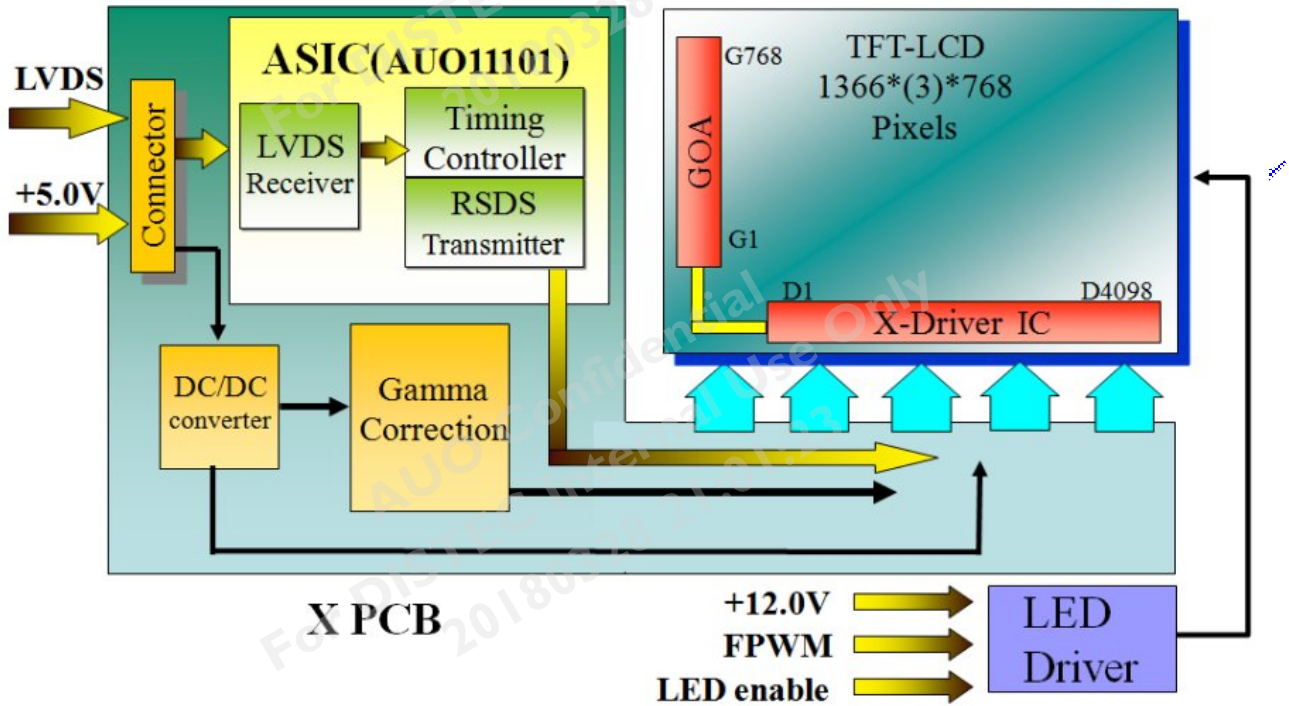
Generally, Gamma Value is defined as the slope of a Gray Level – Luminance curve in log-log space, that is

$$\gamma = d \log(\text{Luminance}) / d \log(\text{Gray Level})$$

The Gamma Value defined in this spec is Linear Regression ($\gamma_1, \gamma_2, \gamma_3, \dots, \gamma_{16}$). γ_1 to γ_{16} are the section gamma of the following 17 sampling points, GL(0), GL(16), GL(32), GL(48), GL(64), GL(80), GL(96), GL(112), GL(128), GL(144), GL(160), GL(176), GL(192), GL(208), GL(224), GL(240) and GL(255), in 8 bits input.

3. Functional Block Diagram

The following diagram shows the functional block of the 15 inch color TFT/LCD module:



I/F PCB connector:

JAE / FI-XB30SSL-HF15
STM / MSBKT2407P30HB

Housing Type:

FI-X30HL (Locked Type)

4. Absolute Maximum Ratings

4.1 Absolute Ratings of TFT LCD Module

Item	Symbol	Min	Max	Unit	Conditions
Logic/LCD Drive Voltage	Vin	0	6.0	[Volt]	<i>Note 1,2</i>

4.2 Absolute Ratings of Touch Sensor

Item	Symbol	Rating	Unit	Conditions
Voltage from VCCIO to AGND and DGND	-	+6.0	[Volt]	-
Voltage from any pin to AGND and DGND	-	+4.0	[Volt]	-

4.3 Absolute Ratings of Environment

Item	Symbol	Min.	Max.	Unit	Conditions
Operating Temperature	TOP	0	+60	[°C]	<i>Note 3</i>
Operation Humidity	HOP	5	90	[%RH]	
Storage Temperature	TST	-20	+60	[°C]	
Storage Humidity	HST	5	90	[%RH]	

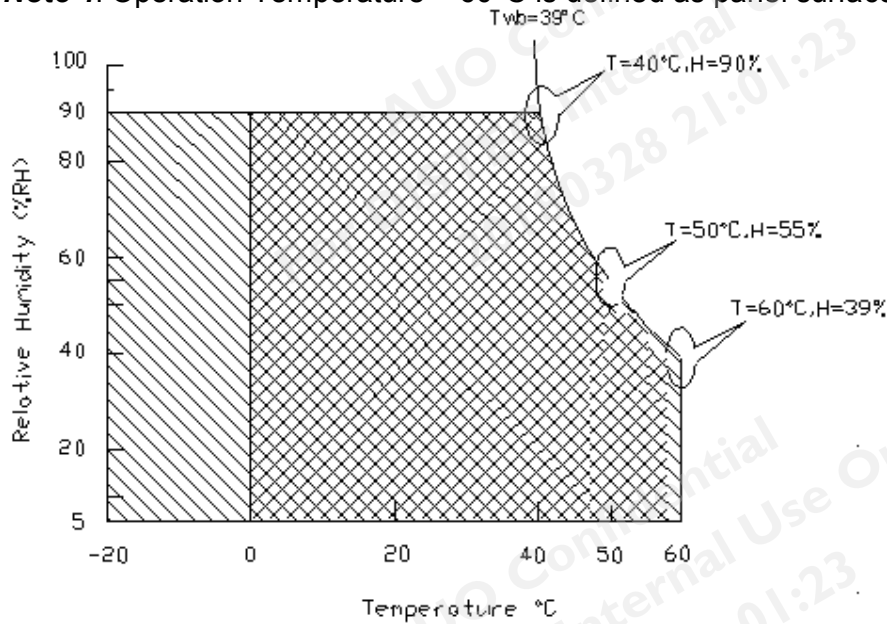
Note: Maximum Wet-Bulb should be 39°C and no condensation.

Note 1: With in Ta (25°C)

Note 2: Permanent damage to the device may occur if exceeding maximum values

Note 3: For quality performance, please refer to AUO IIS(Incoming Inspection Standard).

Note 4: Operation Temperature + 60°C is defined as panel surface temperature.



Operating Range  Storage Range  + 

AUO Confidential

For DISTEC Internal Use Only

20180328 21:01:23

5. Electrical Characteristics

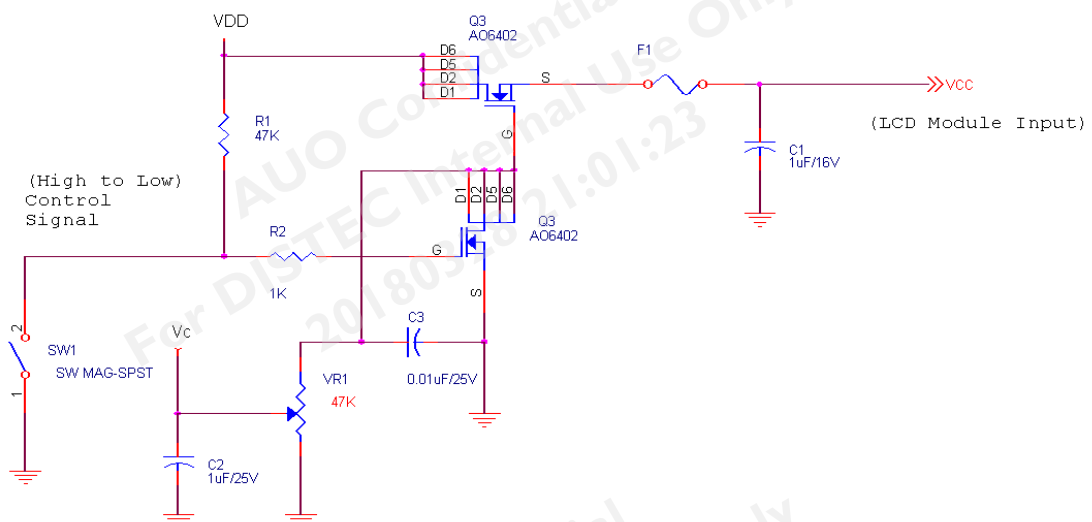
5.1 TFT LCD Module

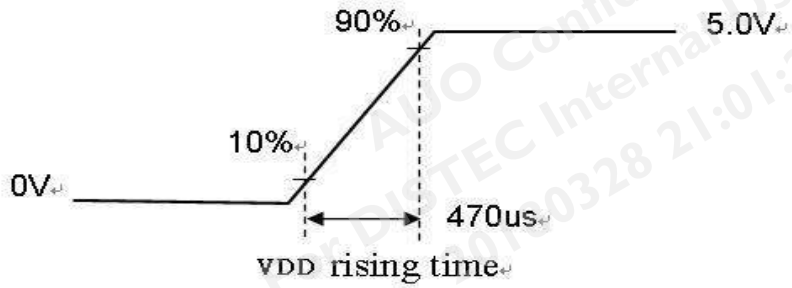
5.1.1 Power Specification

Symbol	Parameter	Min	Typ	Max	Unit	Conditions
VDD	Logic/LCD Drive Voltage	4.5	5.0	5.5	[Volt]	+/-10%
IDD	Input Current	-	0.43	0.52	[A]	VDD= 5.0V, All Black Pattern At 60Hz
PDD	VDD Power	-	2.15	2.6	[Watt]	VDD= 5.0V, All Black Pattern At 60Hz
IRush	Inrush Current	-	-	2.5	[A]	Note 1
VDDrp	Allowable Logic/LCD Drive Ripple Voltage	-	-	300	[mV] p-p	VDD= 5.0V, All Black Pattern At 60Hz

Note 1: Measurement conditions:

The duration of rising time of power input is 470 μ s.



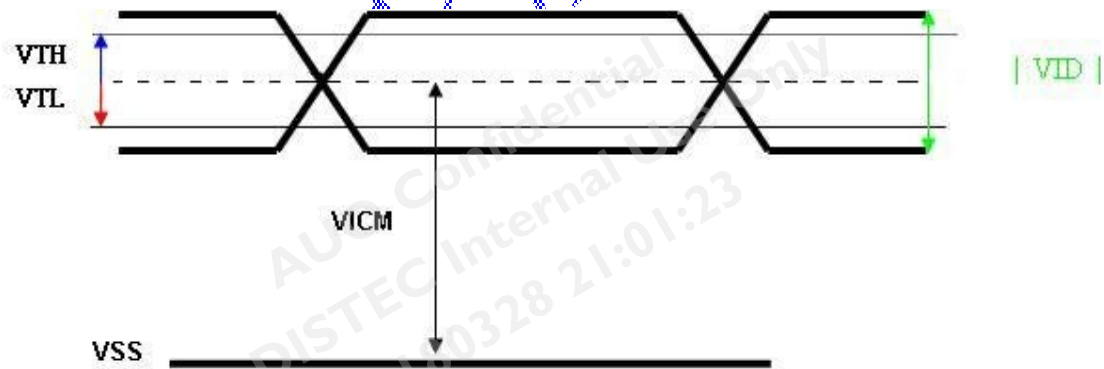


5.1.2 Signal Electrical Characteristics

Input signals shall be low or Hi-Z state when VDD is off.

Symbol	Parameter	Min	Typ	Max	Units	Condition
VTH	Differential Input High Threshold	-	+50	+100	[mV]	VICM = 1.2V Note 1
VTL	Differential Input Low Threshold	-100	-50	-	[mV]	VICM = 1.2V Note 1
VID	Input Differential Voltage	100	-	600	[mV]	Note 1
VICM	Differential Input Common Mode Voltage	+1.0	+1.2	+1.5	[V]	VTH-VTL = 200mV (max) Note 1

Note: LVDS Signal Waveform.



5.2 Backlight Unit

Following characteristics are measured under stable condition using a LED driving board at 25°C (Room Temperature).

Symbol	Parameter	Min	Typ	Max	Unit	Remark
Vcc	Input Voltage	10.8	12	13.2	Volt	
Ivcc	Input Current	-	0.5	0.6	A	100% Dimming
PLED	Power Consumption	-	6	7.2	Watt	100% Dimming
FPWM	PWM Dimming Frequency	200	-	20k	Hz	
	Swing Voltage	3	3.3	5	V	
	Dimming Duty Cycle	5	-	100	%	
Enable	High-level	2.5			V	
	Low-level			0.5	V	
I _F	LED Forward Current	-	50		mA	Ta = 25°C, Note 4
Operating Life		50000	-		Hrs	Ta = 25°C

Note 1: Ta means ambient temperature of TFT-LCD module.

Note 2: If G156XW01 module is driven at high ambient temperature & humidity condition. The operating life will be reduced.

Note 3: Operating life means brightness goes down to 50% initial brightness. Min. operating life time is estimated data.

Note 4: I_F are defined for one channel LED. There are four LED channel in back light unit.

5.3 Touch Sensor

5.3.1 Power Specification

Items	Symbol	Specifications			Unit	Notes
		Min.	Typ.	Max.		
Touch Panel Power Supply	VTSP	4.5	5	5.5	V	Ripple <100mV
Input voltage	VIH	VCCIOx0.7	-	VCCIO	V	VCCIO= 1.8V or 3.3V
	VIL	0	-	VCCIOx0.3	V	

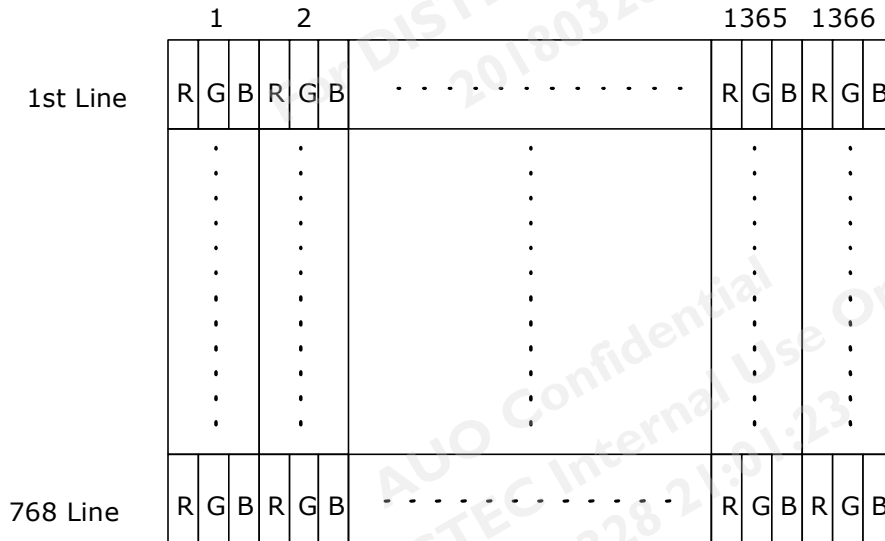
Normal mode Current consumption @ Report rate 100Hz	INORMAL	75	80	85	mA	
Idle mode Current consumption	IIDLE	40	50	60	mA	
Sleep mode Current consumption	ISLEEP	-			uA	

AUO Confidential
 For DISTEC Internal Use Only
 20180328 21:01:23

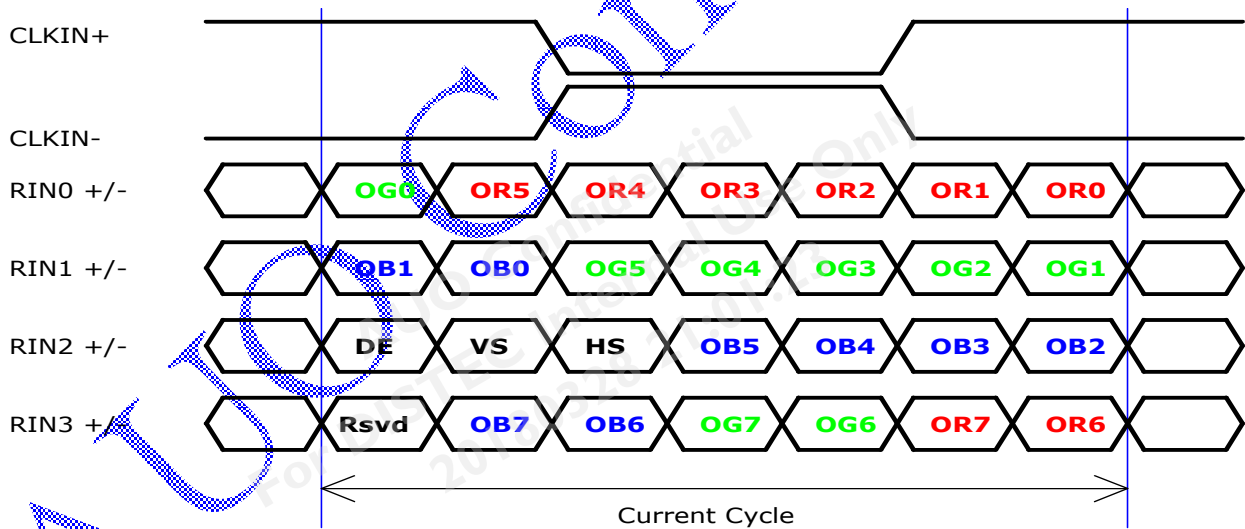
6. Signal Characteristic

6.1 Pixel Format Image

Following figure shows the relationship between input signal and LCD pixel format.



6.2 The input data format



Note 1: R/G/B data 7:MSB, R/G/B data 0:LSB

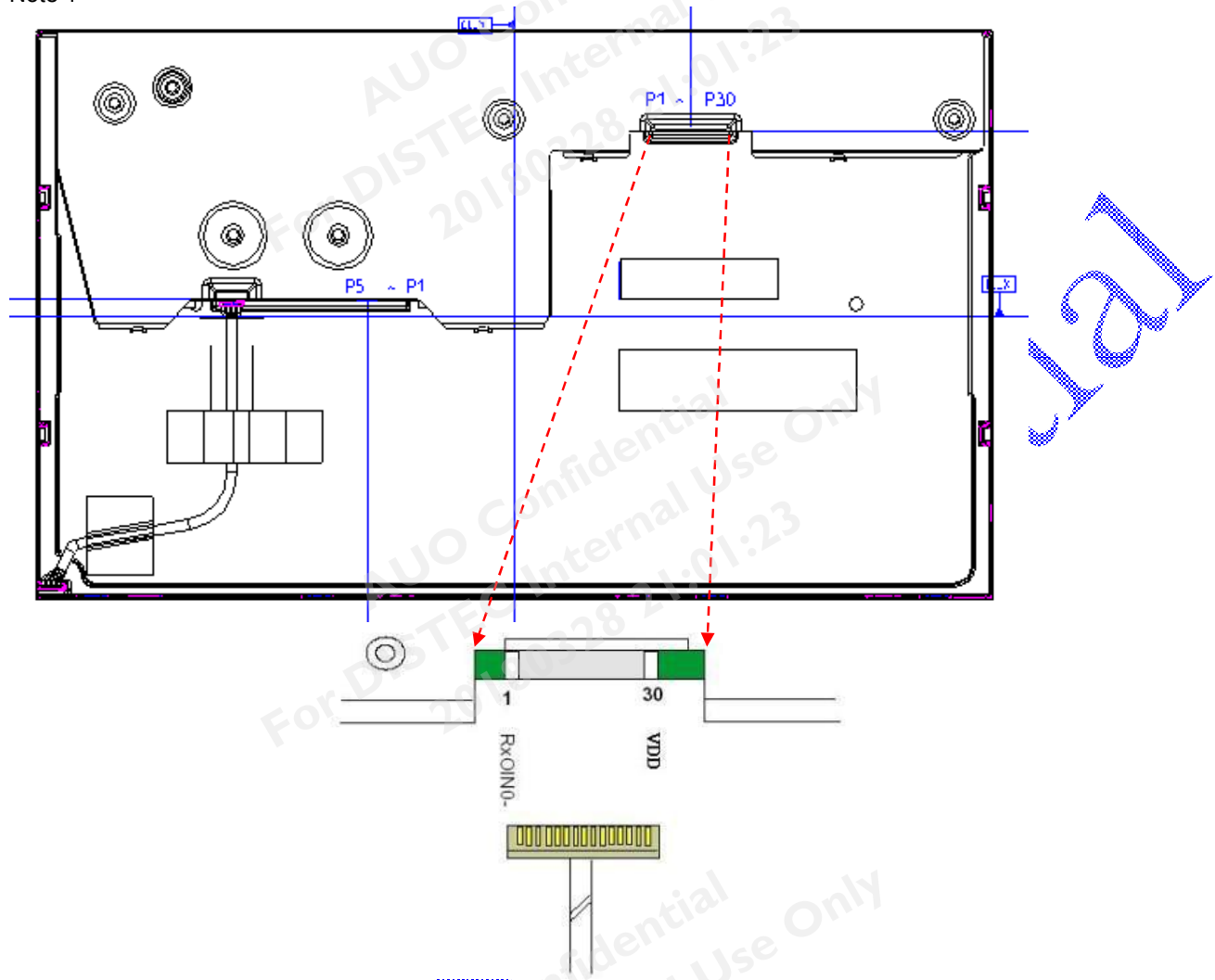
6.3 Signal Description

The module using one LVDS receiver SN75LVDS82(Texas Instruments). LVDS is a differential signal technology for LCD interface and high speed data transfer device. LVDS transmitters shall be SN75LVDS83(negative edge sampling). The first LVDS port(RxOxxx) transmits odd pixels while the second LVDS port(RxExxx) transmits even pixels.

LVDS is a differential signal technology for LCD interface and high speed data transfer device.

PIN #	SIGNAL NAME	DESCRIPTION
1	Reserved	No Connection
2	Reserved	No Connection
3	Reserved	No Connection
4	GND	Ground
5	RXIN0-	-LVDS Differential Data Input, CH0
6	RXIN0+	+LVDS Differential Data Input, CH0
7	GND	Ground
8	RXIN1-	-LVDS Differential Data Input, CH1
9	RXIN1+	+LVDS Differential Data Input, CH1
10	GND	Ground
11	RXIN2-	-LVDS Differential Data Input, CH2
12	RXIN2+	+LVDS Differential Data Input, CH2
13	GND	Ground
14	RXCLKIN-	-LVDS Differential Clock Input, CH3
15	RXCLKIN+	+LVDS Differential Clock Input, CH3
16	GND	Ground
17	RXIN3-	-LVDS Differential Data Input, CH3
18	RXIN3+	+LVDS Differential Data Input, CH3
19	GND	Ground
20	Reserved	Internal used (recommend no connection)
21	Reserved	Internal used (recommend no connection)
22	Reserved	Internal used (recommend no connection)
23	GND	Ground
24	GND	Ground
25	GND	Ground
26	AVDD	Power +5V, (typical)
27	AVDD	Power +5V, (typical)
28	AVDD	Power +5V, (typical)
29	AVDD	Power +5V, (typical)
30	AVDD	Power +5V, (typical)

Note 1



AUO

6.4 Timing Characteristics

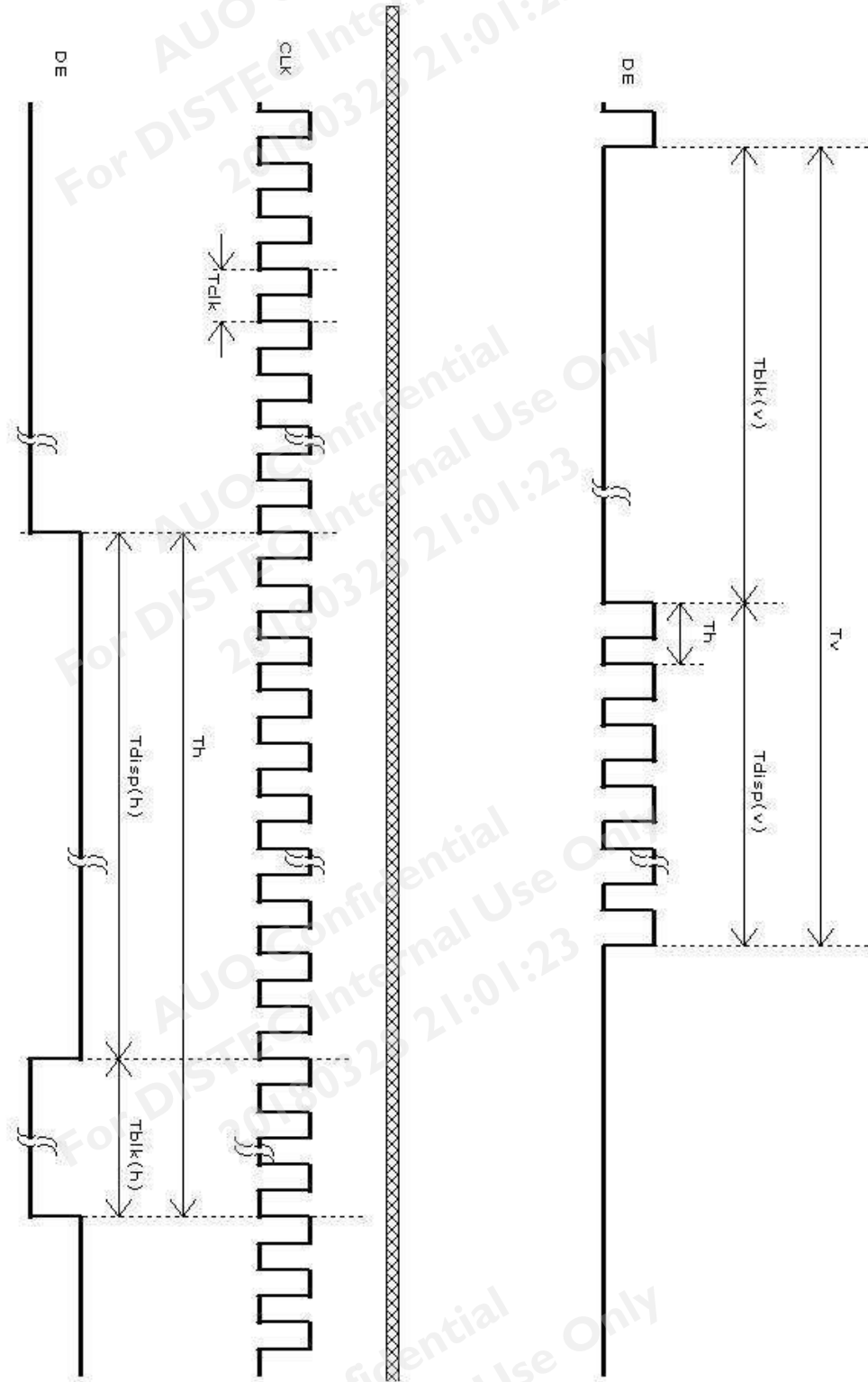
Basically, interface timing described here is not actual input timing of LCD module but close to output timing of SN75LVDS82DGG (Texas Instruments) or equivalent.

Item		Symbol	Min	Typ	Max	Unit
Data CLK		Tclk	60	76	90	[MHz]
H-section	Period	Th	1446	1566	1936	[Tclk]
	Display Area	Tdisp(h)	1366	1366	1366	[Tclk]
	Blanking	Tblk(h)	80	200	570	[Tclk]
V-section	Period	Tv	778	806	888	[Th]
	Display Area	Tdisp(v)	768	768	768	[Th]
	Blanking	Tblk(v)	10	38	120	[Th]
Frame Rate		F	50	60	75	[Hz]

Note : DE mode only

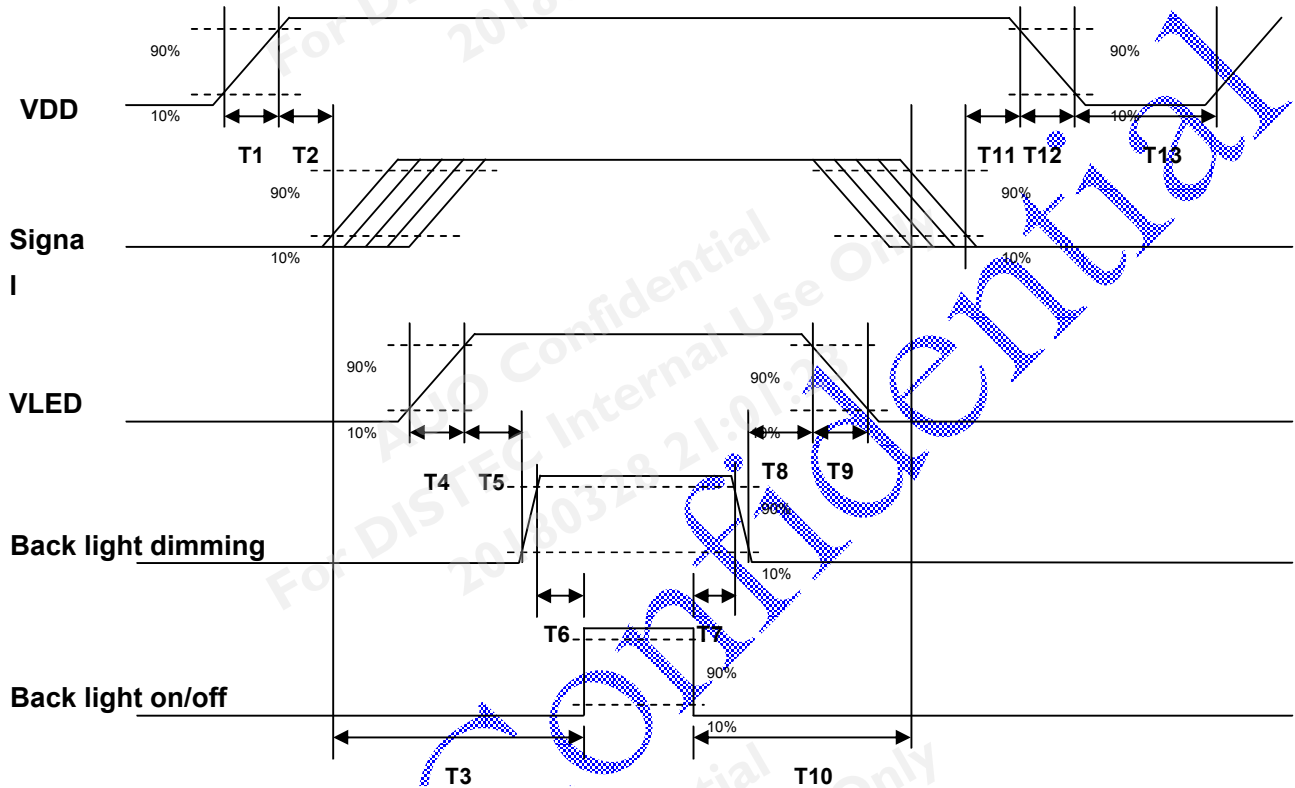
AUO Confidential
 For DISTEC Internal Use Only
 2018/03/28 21:01:23

6.5 | Input Timing Diagram



6.6 Power ON/OFF Sequence

VDD power and LED on/off sequence are as follows. Interface signals are also shown in the chart. Signals from any system shall be Hi-Z state or low level when VDD is off.



Parameter	Value			Units
	Min.	Typ.	Max.	
T1	0.5	-	10	[ms]
T2	0	40	50	[ms]
T3	200	-	-	[ms]
T4	0.5	-	10	[ms]
T5	10	-	-	[ms]
T6	10	-	-	[ms]
T7	0	-	-	[ms]
T8	10	-	-	[ms]
T9	-	-	10	[ms]
T10	110	-	-	[ms]
T11	0.5	16	50	[ms]
T12	-	-	100	[ms]
T13	1000	-	-	[ms]

The above on/off sequence should be applied to avoid abnormal function in the display. Please make sure to turn off the power when you plug the cable into the input connector or pull the cable out of the connector.

AUO Confidential
For DISTEC Internal Use Only
20180328 21:01:23

7. Connector & Pin Assignment

Physical interface is described as for the connector on module. These connectors are capable of accommodating the following signals and will be following components.

7.1 TFT-LCD Signal: LVDS Interface

Connector Name / Designation	Interface Connector / Interface card
Manufacturer	JAE STM
Type Part Number	FI-XB30SSL-HF15 MSBKT2407P30HB
Mating Housing Part Number	FI-X30HL (Locked Type)

7.1.1 Pin Assignment

Pin#	Signal Name	Pin#	Signal Name
1	Reserved	2	Reserved
3	Reserved	4	GND
5	RXIN0-	6	RXIN0+
7	GND	8	RXIN1-
9	RXIN1+	10	GND
11	RXIN2-	12	RXIN2+
13	GND	14	RXCLKIN-
15	RXCLKIN+	16	GND
17	RXIN3-	18	RXIN3+
19	GND	20	Reserved
21	Reserved	22	Reserved
23	GND	24	GND
25	GND	26	AVDD
27	AVDD	28	AVDD
29	AVDD	30	AVDD

7.2 T Backlight Unit

Physical interface is described as for the connector on module. These connectors are capable of accommodating the following signals and will be following components.

Connector Name / Designation	LED Connector
Manufacturer	E&T or compatible
Connector Model Number	3808K-F05N-12R or compatible
Mating Connector Model Number	H208K-D05N-22B or compatible

7.2.1 T Backlight Unit

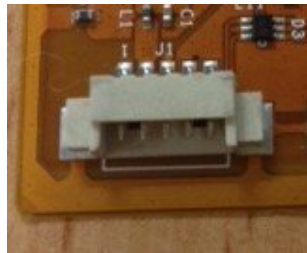
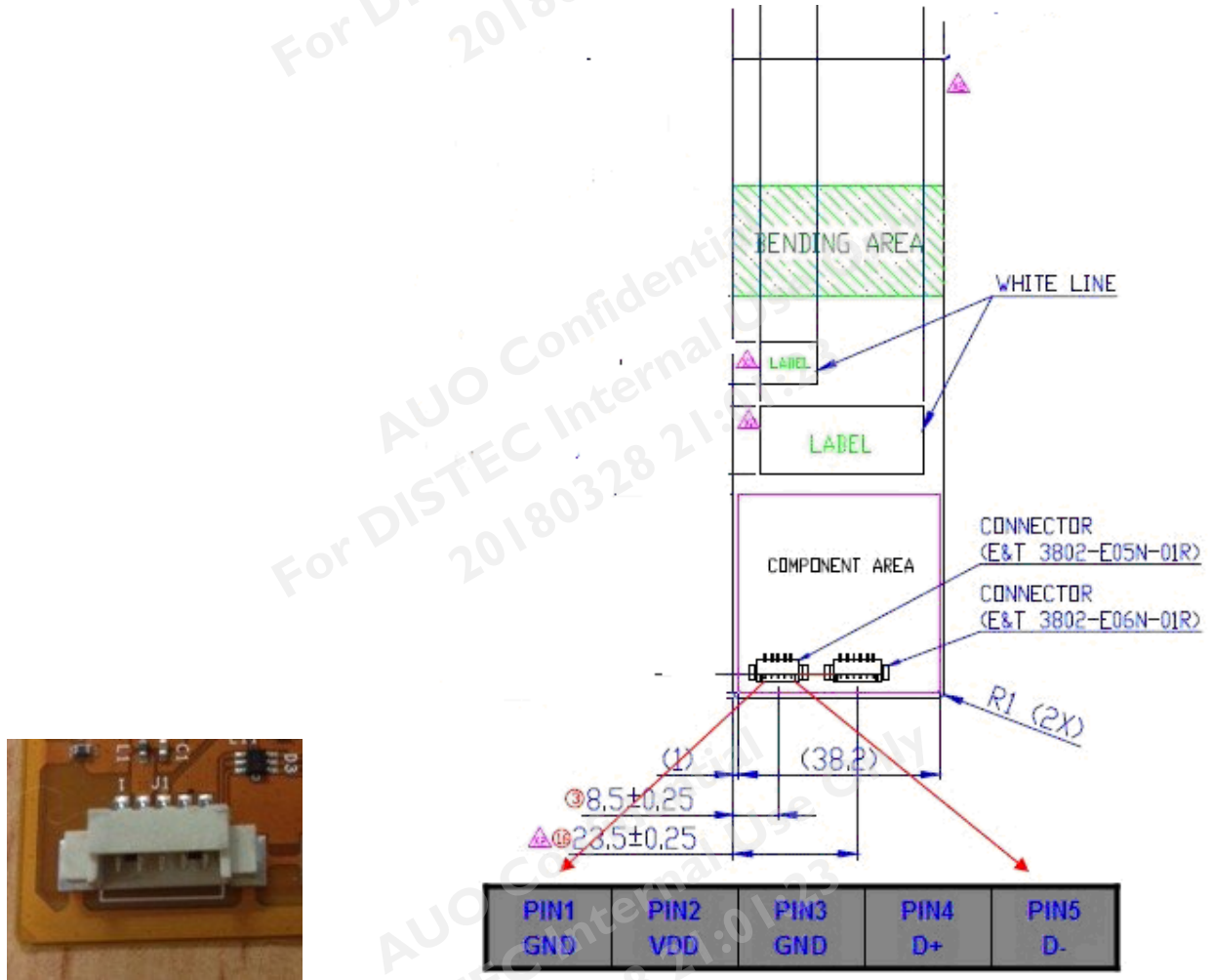
Pin#	Symbol	Signal Name
1	Vcc	12V
2	GND	GND
3	Enable	LED enable
4	Dimming	PWM Dimming
5	NC	NC

7.3 Touch Signal : USB Interface

Connector Name / Designation	TP Connector
Manufacturer	E & T Corporation
Type / Part Number	3802K-E05N-01R (From FPCa) H201K-D05N-12B (From System)

Pin#	Symbol	Signal Name
1	GND	Ground
2	VDD	Power 5V
3	GND	Ground
4	D+	USB D+
5	D-	USB D-

7.4 Touch Connector Illustration



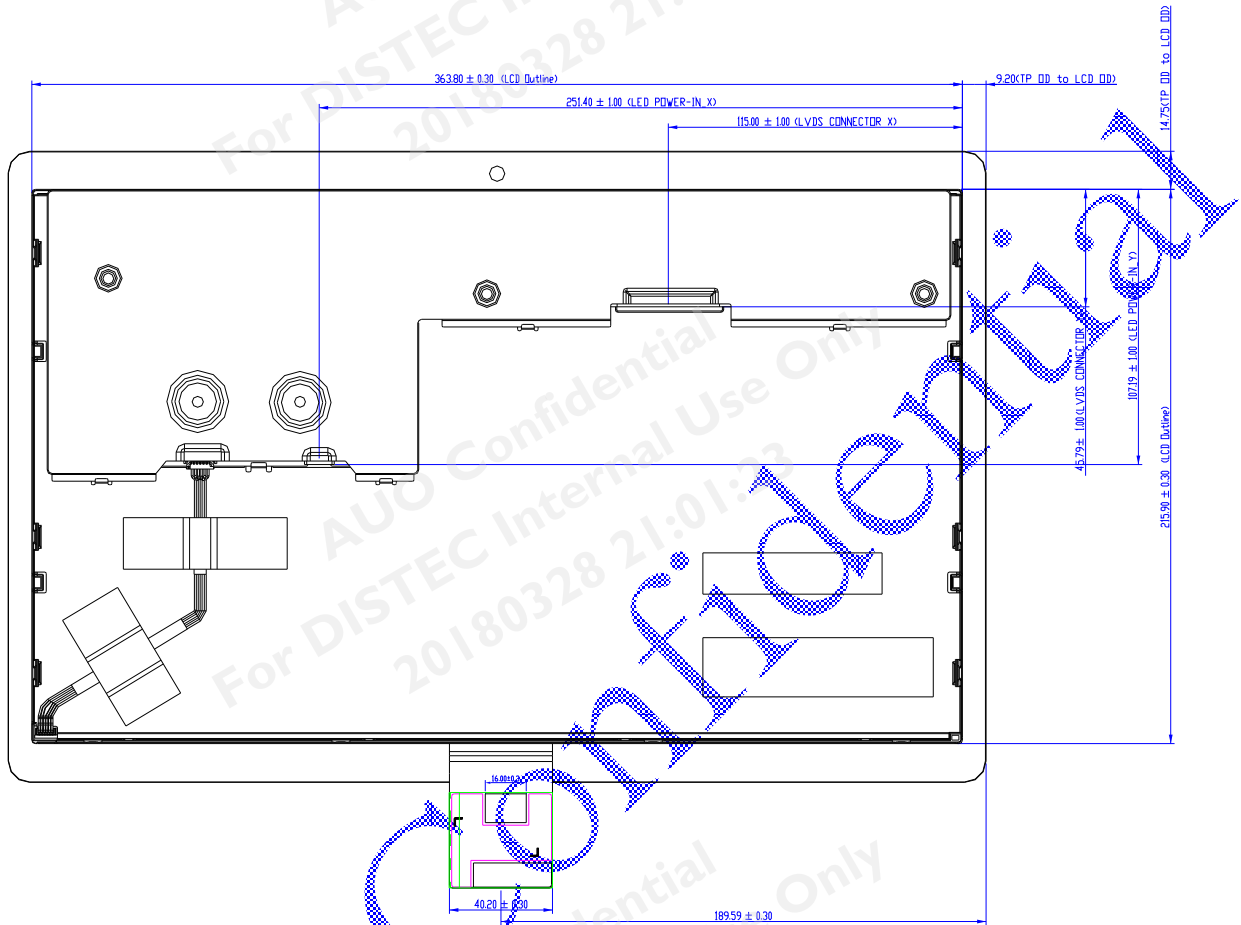
8. Reliability Test Criteria

Items	Required Condition	Note
Temperature Humidity Bias (THB)	Ta= 50 °C, 80%RH, 300hours	
High Temperature Operation (HTO)	Ta= 60 °C, 300hours, For panel surface temp.	
Low Temperature Operation (LTO)	Ta= 0 °C, 300hours	
High Temperature Storage (HTS)	Ta= 60 °C, 300hours	
Low Temperature Storage (LTS)	Ta= -20 °C, 300hours	
Vibration Test (Non-operation)	Acceleration: 1.5 Grms Wave: sine Frequency: 10 - 200 Hz Duration: 30 Minutes each Axis (X, Y, Z)	
Shock Test (Non-operation)	Acceleration: 50 G Wave: Half-sine Active Time: 20 ms Direction: ±X, ±Y, ±Z (one time for each Axis)	
Drop Test	Height: 46 cm, package test	
Thermal Shock Test (TST)	-20 °C /30min, 60 °C /30min, 100 cycles	1
On/Off Test	On/10sec, Off/10sec, 30,000 cycles	
ESD (Electro Static Discharge)	Contact Discharge: ± 8KV, 150pF(330Ω) 1sec, 15 points, 25 times/ point.	2
	Air Discharge: ± 15KV, 150pF(330Ω) 1sec 15 points, 25 times/ point.	
Altitude Test	Operation:10,000 ft Non-Operation:30,000 ft	

Note 1: The TFT-LCD module will not sustain damage after being subjected to 100 cycles of rapid temperature change. A cycle of rapid temperature change consists of varying the temperature from -20 °C to 60 °C and back again. Power is not applied during the test. After temperature cycling, the unit is placed in normal room ambient for at least 4 hours before power on.

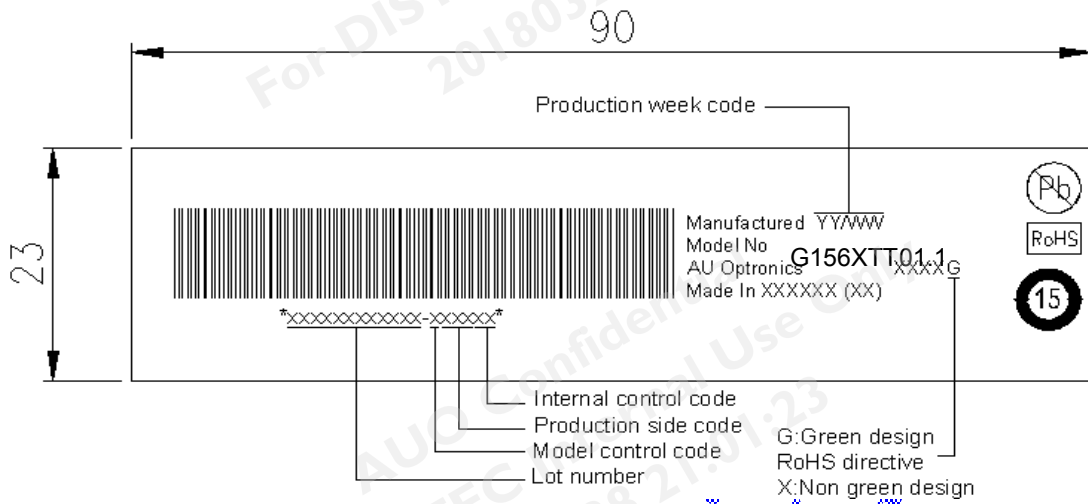
Note 2: EN61000-4-2, ESD class B: Certain performance degradation allowed
 No data lost
 Self-recoverable
 No hardware failures.

9.2 Total solution Outline Dimension (Rear View)

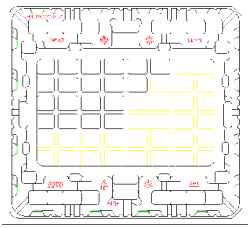


10. Label and Packaging

10.1 Shipping Label (on the rear side of TFT-LCD display)

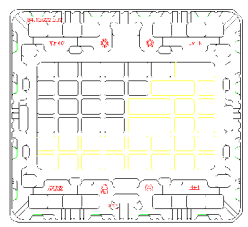


10.2 Carton Package

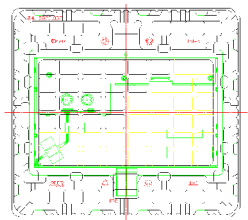


5. 10 trays stack up, the first one is empty

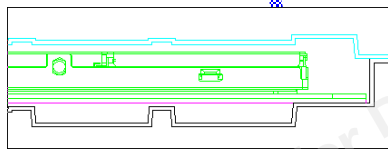
1. Put 1 pcs



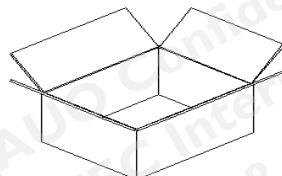
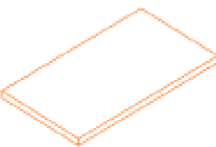
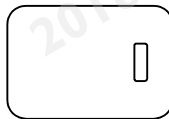
2. put 1 pcs EPE with tray



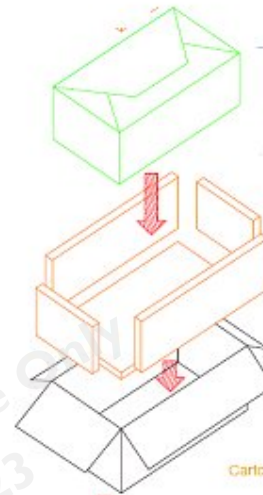
3. put 1pcs module on EPE, user side down



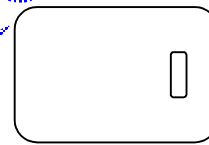
4. 1 tray +1pcs EPE+1pcs module



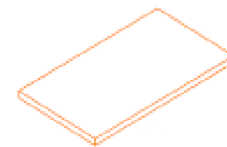
7. Put EPE and paper board on the EPE



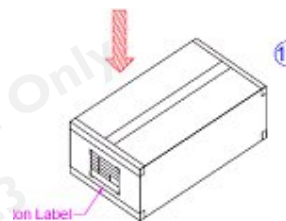
8. Put outside EPE and package



9. put paper board to separate different package



10. Put second package and put EPE on the top.



10.3 Palletizing

Max capacity : 8pcs TFT-LCD module per carton

Max weight: 12.8kg per carton

Outside dimension of carton:523mm(L)* 483mm(W)*277mm(H)

Pallet size : 1150 mm * 980mm * 132mm

Box stacked

Module by air : (2 * 2) * 5 layers , one pallet put 20 boxes , total 160pcs module

Module by sea : (2 * 2) * 5 layers + (2 * 2) * 1 layers , two pallet put 24 boxes , total 192 pcs module

Module by sea_HQ : (2 * 2) * 5 layers+(2 * 2) * 2 layers, two pallet put 28boxes, total 224 pcs module

Palletizing

	SHIPPING BY AIR	SHIPPING BY SEA	SHIPPING BY SEA_HQ
MODULE/CARTON	8	8	8
CARTON/LAYER	4	4	4
LAYER/PALLET	5	6	7
MODULE/PALLET	160	192	224
CARTON SIZE(MM)	523(L)*483(W)*277(H)	523(L)*483(W)*277(H)	523(L)*483(W)*277(H)
PALLET SIZE(MM)	1150(L)*980(W)*132(H)	1150(L)*980(W)*132(H)	1150(L)*980(W)*132(H)
TOTAL PALLET HEIGHT(MM)	1517	1926	2203
TOTAL PALLET WEIGHT(KG)	271	337	388.4

The diagrams illustrate the palletizing process in three stages:

- Stacking:** Modules are stacked on a pallet in a 2x2x5 configuration.
- Stretching:** The stack is wrapped with stretch film.
- Securing:** Corner angles and PET bands are applied to secure the stack.

Examples shown:

- ONE PALLET SHIPMENT EXAMPLE SHIPPING BY AIR USED:** Shows a single pallet with 20 modules.
- TWO PALLETS SHIPMENT EXAMPLE SHIPPING BY SEA USED:** Shows two pallets, each with 24 modules.
- TWO PALLETS SHIPMENT EXAMPLE SHIPPING BY SEA_HQ USED:** Shows two pallets, each with 28 modules.

Our company network supports you worldwide with offices in Germany, Austria, Switzerland, the UK and the USA. For more information please contact:

Headquarters

Germany



FORTEC Elektronik AG

Augsburger Str. 2b
82110 Germering

Phone: +49 89 894450-0
E-Mail: info@fortecag.de
Internet: www.fortecag.de

Fortec Group Members

Austria



Distec GmbH Office Vienna

Nuschinggasse 12
1230 Wien

Phone: +43 1 8673492-0
E-Mail: info@distec.de
Internet: www.distec.de

Germany



Distec GmbH

Augsburger Str. 2b
82110 Germering

Phone: +49 89 894363-0
E-Mail: info@distec.de
Internet: www.distec.de

Switzerland



ALTRAC AG

Bahnhofstraße 3
5436 Würenlos

Phone: +41 44 7446111
E-Mail: info@altrac.ch
Internet: www.altrac.ch

United Kingdom



Display Technology Ltd.

Osprey House, 1 Osprey Court
Hichingbrooke Business Park
Huntingdon, Cambridgeshire, PE29 6FN

Phone: +44 1480 411600
E-Mail: info@displaytechnology.co.uk
Internet: www.displaytechnology.co.uk

USA



Apollo Display Technologies, Corp.

87 Raynor Avenue,
Unit 1 Ronkonkoma,
NY 11779

Phone: +1 631 5804360
E-Mail: info@apolloDisplays.com
Internet: www.apolloDisplays.com