



OUR GLOBAL
COMPETENCE
CENTRES

 APOLLO DISPLAY
TECHNOLOGIES



 DISTEC



 DISPLAY
TECHNOLOGY



Datasheet

AUO

G190ETN01.204

UP-02-103R1.1

() Preliminary Specification
 (V) Final Specification

Module	19" SXGA TFT-LCD Module
Model Name	G190ETN01.204

Customer	Date
_____	_____
Approved by	

<p>Note: This Specification is subject to change without notice.</p>	

Checked & Approved by	Date
Flossie Chuang	2021/12/10
Prepared by	Date
Daniel Chang	2021/12/10
<p>Audio-Video Display Business Unit / AU Optronics corporation</p>	

Contents

1. Handling Precautions	4
2. General Description	5
2.1 Display Characteristics	5
2.2 Optical Characteristics.....	6
3. Functional Block Diagram	9
4. Absolute Maximum Ratings	10
4.1 TFT LCD Module	10
4.2 Absolute Ratings of Environment	10
5. Electrical Characteristics	11
5.1 TFT LCD Module	11
6. Signal Characteristic	14
6.1 Pixel Format Image	14
6.2 The Input Data Format	14
6.3 Signal Description.....	15
6.4 Interface Timing	17
6.5 Power ON/OFF Sequence.....	18
7. Connector and Pin Assignment	19
7.1 TFT LCD Module	19
7.2 Backlight Unit.....	20
8. Reliability Test	21
9. Label and Packing	22
9.1. Shipping Label.....	22
9.2 Packing Form	22
9.3 Palletizing Sequence.....	23
10. Outline Drawing	24

Record of Revision

Version & Date	Page	Old Description	New Description																																																																																																																																																		
0.0 2021/03/24	All	Frist Preliminary Spec																																																																																																																																																			
0.1 2021/05/18	15	6.3 Signal Description 26 ^{pin} GND ^{pin} NC ^{pin} 27 ^{pin} GND ^{pin} NC ^{pin}	6.3 Signal Description 26 ^{pin} NC ^{pin} Not Connect ^{pin} 27 ^{pin} NC ^{pin} Not Connect ^{pin}																																																																																																																																																		
	17	*6.4.1 Timing Characteristics- <table border="1"> <thead> <tr> <th>Signal</th> <th>Item</th> <th>Symbol</th> <th>Min.</th> <th>Typ.</th> <th>Max.</th> <th>Unit</th> </tr> </thead> <tbody> <tr> <td rowspan="3">Vertical Section</td> <td>Period</td> <td>T_v</td> <td>1032</td> <td>1066</td> <td>1150</td> <td>Th</td> </tr> <tr> <td>Active</td> <td>T_{disp(v)}</td> <td>1024</td> <td>1024</td> <td>1024</td> <td>Th</td> </tr> <tr> <td>Blanking</td> <td>T_{bp(v)+T_{sp(v)+PW_{vs}}}</td> <td>8</td> <td>42</td> <td>126</td> <td>Th</td> </tr> <tr> <td rowspan="3">Horizontal Section</td> <td>Period</td> <td>T_h</td> <td>790</td> <td>844</td> <td>2047</td> <td>Tclk</td> </tr> <tr> <td>Active</td> <td>T_{disp(h)}</td> <td>640</td> <td>640</td> <td>640</td> <td>Tclk</td> </tr> <tr> <td>Blanking</td> <td>T_{bp(h)+T_{sp(h)+PW_{hs}}}</td> <td>140</td> <td>204</td> <td>—</td> <td>Tclk</td> </tr> <tr> <td rowspan="2">Clock</td> <td>Period</td> <td>T_{clk}</td> <td>22.2</td> <td>18.52</td> <td>14.81</td> <td>ns</td> </tr> <tr> <td>Frequency</td> <td>F_{req}</td> <td>44</td> <td>54</td> <td>67.5</td> <td>MHz</td> </tr> <tr> <td>Frame Rate</td> <td>Frequency</td> <td>1/T_v</td> <td>49</td> <td>60</td> <td>75</td> <td>Hz</td> </tr> </tbody> </table> Note: DE mode only	Signal	Item	Symbol	Min.	Typ.	Max.	Unit	Vertical Section	Period	T _v	1032	1066	1150	Th	Active	T _{disp(v)}	1024	1024	1024	Th	Blanking	T _{bp(v)+T_{sp(v)+PW_{vs}}}	8	42	126	Th	Horizontal Section	Period	T _h	790	844	2047	Tclk	Active	T _{disp(h)}	640	640	640	Tclk	Blanking	T _{bp(h)+T_{sp(h)+PW_{hs}}}	140	204	—	Tclk	Clock	Period	T _{clk}	22.2	18.52	14.81	ns	Frequency	F _{req}	44	54	67.5	MHz	Frame Rate	Frequency	1/T _v	49	60	75	Hz	*6.4.1 Timing Characteristics- <table border="1"> <thead> <tr> <th>Signal</th> <th>Item</th> <th>Symbol</th> <th>Min.</th> <th>Typ.</th> <th>Max.</th> <th>Unit</th> </tr> </thead> <tbody> <tr> <td rowspan="3">Vertical Section</td> <td>Period</td> <td>T_v</td> <td>1032</td> <td>1066</td> <td>1150</td> <td>Th</td> </tr> <tr> <td>Active</td> <td>T_{disp(v)}</td> <td>1024</td> <td>1024</td> <td>1024</td> <td>Th</td> </tr> <tr> <td>Blanking</td> <td>T_{bp(v)+T_{sp(v)+PW_{vs}}}</td> <td>8</td> <td>42</td> <td>126</td> <td>Th</td> </tr> <tr> <td rowspan="3">Horizontal Section</td> <td>Period</td> <td>T_h</td> <td>780</td> <td>844</td> <td>871</td> <td>Tclk</td> </tr> <tr> <td>Active</td> <td>T_{disp(h)}</td> <td>640</td> <td>640</td> <td>640</td> <td>Tclk</td> </tr> <tr> <td>Blanking</td> <td>T_{bp(h)+T_{sp(h)+PW_{hs}}}</td> <td>140</td> <td>204</td> <td>231</td> <td>Tclk</td> </tr> <tr> <td rowspan="2">Clock</td> <td>Period</td> <td>T_{clk}</td> <td>22.2</td> <td>18.52</td> <td>14.81</td> <td>ns</td> </tr> <tr> <td>Frequency</td> <td>F_{req}</td> <td>45</td> <td>54</td> <td>67.5</td> <td>MHz</td> </tr> <tr> <td>Frame Rate</td> <td>Frequency</td> <td>1/T_v</td> <td>49</td> <td>60</td> <td>75</td> <td>Hz</td> </tr> </tbody> </table>	Signal	Item	Symbol	Min.	Typ.	Max.	Unit	Vertical Section	Period	T _v	1032	1066	1150	Th	Active	T _{disp(v)}	1024	1024	1024	Th	Blanking	T _{bp(v)+T_{sp(v)+PW_{vs}}}	8	42	126	Th	Horizontal Section	Period	T _h	780	844	871	Tclk	Active	T _{disp(h)}	640	640	640	Tclk	Blanking	T _{bp(h)+T_{sp(h)+PW_{hs}}}	140	204	231	Tclk	Clock	Period	T _{clk}	22.2	18.52	14.81	ns	Frequency	F _{req}	45	54	67.5	MHz	Frame Rate	Frequency	1/T _v	49	60	75	Hz																
Signal	Item	Symbol	Min.	Typ.	Max.	Unit																																																																																																																																															
Vertical Section	Period	T _v	1032	1066	1150	Th																																																																																																																																															
	Active	T _{disp(v)}	1024	1024	1024	Th																																																																																																																																															
	Blanking	T _{bp(v)+T_{sp(v)+PW_{vs}}}	8	42	126	Th																																																																																																																																															
Horizontal Section	Period	T _h	790	844	2047	Tclk																																																																																																																																															
	Active	T _{disp(h)}	640	640	640	Tclk																																																																																																																																															
	Blanking	T _{bp(h)+T_{sp(h)+PW_{hs}}}	140	204	—	Tclk																																																																																																																																															
Clock	Period	T _{clk}	22.2	18.52	14.81	ns																																																																																																																																															
	Frequency	F _{req}	44	54	67.5	MHz																																																																																																																																															
Frame Rate	Frequency	1/T _v	49	60	75	Hz																																																																																																																																															
Signal	Item	Symbol	Min.	Typ.	Max.	Unit																																																																																																																																															
Vertical Section	Period	T _v	1032	1066	1150	Th																																																																																																																																															
	Active	T _{disp(v)}	1024	1024	1024	Th																																																																																																																																															
	Blanking	T _{bp(v)+T_{sp(v)+PW_{vs}}}	8	42	126	Th																																																																																																																																															
Horizontal Section	Period	T _h	780	844	871	Tclk																																																																																																																																															
	Active	T _{disp(h)}	640	640	640	Tclk																																																																																																																																															
	Blanking	T _{bp(h)+T_{sp(h)+PW_{hs}}}	140	204	231	Tclk																																																																																																																																															
Clock	Period	T _{clk}	22.2	18.52	14.81	ns																																																																																																																																															
	Frequency	F _{req}	45	54	67.5	MHz																																																																																																																																															
Frame Rate	Frequency	1/T _v	49	60	75	Hz																																																																																																																																															
	9	*3. Functional Block Diagram- The following diagram shows the functional block of the 19.0 inches wide Color TFT-LCD Module: 																																																																																																																																																			
0.2 2021/10/26	P6	<table border="1"> <thead> <tr> <th></th> <th>0.590^{pin}</th> <th>0.640^{pin}</th> <th>0.690^{pin}</th> </tr> </thead> <tbody> <tr> <td>Red x^{pin}</td> <td>0.590^{pin}</td> <td>0.640^{pin}</td> <td>0.690^{pin}</td> </tr> <tr> <td>Red y^{pin}</td> <td>0.294^{pin}</td> <td>0.344^{pin}</td> <td>0.394^{pin}</td> </tr> <tr> <td>Green x^{pin}</td> <td>0.277^{pin}</td> <td>0.327^{pin}</td> <td>0.377^{pin}</td> </tr> <tr> <td>Green y^{pin}</td> <td>0.574^{pin}</td> <td>0.624^{pin}</td> <td>0.674^{pin}</td> </tr> <tr> <td>Blue x^{pin}</td> <td>0.105^{pin}</td> <td>0.155^{pin}</td> <td>0.205^{pin}</td> </tr> <tr> <td>Blue y^{pin}</td> <td>0.004^{pin}</td> <td>0.054^{pin}</td> <td>0.104^{pin}</td> </tr> <tr> <td>White x^{pin}</td> <td>0.263^{pin}</td> <td>0.313^{pin}</td> <td>0.363^{pin}</td> </tr> <tr> <td>White y^{pin}</td> <td>0.279^{pin}</td> <td>0.329^{pin}</td> <td>0.379^{pin}</td> </tr> </tbody> </table>		0.590 ^{pin}	0.640 ^{pin}	0.690 ^{pin}	Red x ^{pin}	0.590 ^{pin}	0.640 ^{pin}	0.690 ^{pin}	Red y ^{pin}	0.294 ^{pin}	0.344 ^{pin}	0.394 ^{pin}	Green x ^{pin}	0.277 ^{pin}	0.327 ^{pin}	0.377 ^{pin}	Green y ^{pin}	0.574 ^{pin}	0.624 ^{pin}	0.674 ^{pin}	Blue x ^{pin}	0.105 ^{pin}	0.155 ^{pin}	0.205 ^{pin}	Blue y ^{pin}	0.004 ^{pin}	0.054 ^{pin}	0.104 ^{pin}	White x ^{pin}	0.263 ^{pin}	0.313 ^{pin}	0.363 ^{pin}	White y ^{pin}	0.279 ^{pin}	0.329 ^{pin}	0.379 ^{pin}	<table border="1"> <thead> <tr> <th></th> <th>0.590^{pin}</th> <th>0.640^{pin}</th> <th>0.690^{pin}</th> </tr> </thead> <tbody> <tr> <td>Red x^{pin}</td> <td>0.590^{pin}</td> <td>0.640^{pin}</td> <td>0.690^{pin}</td> </tr> <tr> <td>Red y^{pin}</td> <td>0.294^{pin}</td> <td>0.344^{pin}</td> <td>0.394^{pin}</td> </tr> <tr> <td>Green x^{pin}</td> <td>0.270^{pin}</td> <td>0.320^{pin}</td> <td>0.370^{pin}</td> </tr> <tr> <td>Green y^{pin}</td> <td>0.562^{pin}</td> <td>0.612^{pin}</td> <td>0.662^{pin}</td> </tr> <tr> <td>Blue x^{pin}</td> <td>0.098^{pin}</td> <td>0.148^{pin}</td> <td>0.198^{pin}</td> </tr> <tr> <td>Blue y^{pin}</td> <td>0.016^{pin}</td> <td>0.066^{pin}</td> <td>0.116^{pin}</td> </tr> <tr> <td>White x^{pin}</td> <td>0.263^{pin}</td> <td>0.313^{pin}</td> <td>0.363^{pin}</td> </tr> <tr> <td>White y^{pin}</td> <td>0.279^{pin}</td> <td>0.329^{pin}</td> <td>0.379^{pin}</td> </tr> </tbody> </table>		0.590 ^{pin}	0.640 ^{pin}	0.690 ^{pin}	Red x ^{pin}	0.590 ^{pin}	0.640 ^{pin}	0.690 ^{pin}	Red y ^{pin}	0.294 ^{pin}	0.344 ^{pin}	0.394 ^{pin}	Green x ^{pin}	0.270 ^{pin}	0.320 ^{pin}	0.370 ^{pin}	Green y ^{pin}	0.562 ^{pin}	0.612 ^{pin}	0.662 ^{pin}	Blue x ^{pin}	0.098 ^{pin}	0.148 ^{pin}	0.198 ^{pin}	Blue y ^{pin}	0.016 ^{pin}	0.066 ^{pin}	0.116 ^{pin}	White x ^{pin}	0.263 ^{pin}	0.313 ^{pin}	0.363 ^{pin}	White y ^{pin}	0.279 ^{pin}	0.329 ^{pin}	0.379 ^{pin}																																																																										
	0.590 ^{pin}	0.640 ^{pin}	0.690 ^{pin}																																																																																																																																																		
Red x ^{pin}	0.590 ^{pin}	0.640 ^{pin}	0.690 ^{pin}																																																																																																																																																		
Red y ^{pin}	0.294 ^{pin}	0.344 ^{pin}	0.394 ^{pin}																																																																																																																																																		
Green x ^{pin}	0.277 ^{pin}	0.327 ^{pin}	0.377 ^{pin}																																																																																																																																																		
Green y ^{pin}	0.574 ^{pin}	0.624 ^{pin}	0.674 ^{pin}																																																																																																																																																		
Blue x ^{pin}	0.105 ^{pin}	0.155 ^{pin}	0.205 ^{pin}																																																																																																																																																		
Blue y ^{pin}	0.004 ^{pin}	0.054 ^{pin}	0.104 ^{pin}																																																																																																																																																		
White x ^{pin}	0.263 ^{pin}	0.313 ^{pin}	0.363 ^{pin}																																																																																																																																																		
White y ^{pin}	0.279 ^{pin}	0.329 ^{pin}	0.379 ^{pin}																																																																																																																																																		
	0.590 ^{pin}	0.640 ^{pin}	0.690 ^{pin}																																																																																																																																																		
Red x ^{pin}	0.590 ^{pin}	0.640 ^{pin}	0.690 ^{pin}																																																																																																																																																		
Red y ^{pin}	0.294 ^{pin}	0.344 ^{pin}	0.394 ^{pin}																																																																																																																																																		
Green x ^{pin}	0.270 ^{pin}	0.320 ^{pin}	0.370 ^{pin}																																																																																																																																																		
Green y ^{pin}	0.562 ^{pin}	0.612 ^{pin}	0.662 ^{pin}																																																																																																																																																		
Blue x ^{pin}	0.098 ^{pin}	0.148 ^{pin}	0.198 ^{pin}																																																																																																																																																		
Blue y ^{pin}	0.016 ^{pin}	0.066 ^{pin}	0.116 ^{pin}																																																																																																																																																		
White x ^{pin}	0.263 ^{pin}	0.313 ^{pin}	0.363 ^{pin}																																																																																																																																																		
White y ^{pin}	0.279 ^{pin}	0.329 ^{pin}	0.379 ^{pin}																																																																																																																																																		
	P13	*5.1.3 Backlight Unit- Parameter guideline for LED driving is under stable conditions at 25°C (Room Temperature): <table border="1"> <thead> <tr> <th>Symbol</th> <th>Parameter</th> <th>Min.</th> <th>Typ.</th> <th>Max.</th> <th>Unit</th> <th>Remark</th> </tr> </thead> <tbody> <tr> <td>V_{CC}</td> <td>Input Voltage</td> <td>10.8</td> <td>12</td> <td>13.2</td> <td>[Volt]</td> <td></td> </tr> <tr> <td>I_{CC}</td> <td>Input Current</td> <td>—</td> <td>0.68</td> <td>0.75</td> <td>[A]</td> <td>100% PWM Duty</td> </tr> <tr> <td>P_{CC}</td> <td>Power Consumption</td> <td>—</td> <td>8.5</td> <td>9</td> <td>[Watt]</td> <td>100% PWM Duty</td> </tr> <tr> <td>F_{FW}</td> <td>Dimming Frequency</td> <td>200</td> <td>—</td> <td>20K</td> <td>[Hz]</td> <td></td> </tr> <tr> <td></td> <td>Swing Voltage</td> <td>3</td> <td>3.3</td> <td>5</td> <td>[Volt]</td> <td></td> </tr> <tr> <td></td> <td>Dimming duty cycle</td> <td>5</td> <td>—</td> <td>100</td> <td>%</td> <td></td> </tr> </tbody> </table>	Symbol	Parameter	Min.	Typ.	Max.	Unit	Remark	V _{CC}	Input Voltage	10.8	12	13.2	[Volt]		I _{CC}	Input Current	—	0.68	0.75	[A]	100% PWM Duty	P _{CC}	Power Consumption	—	8.5	9	[Watt]	100% PWM Duty	F _{FW}	Dimming Frequency	200	—	20K	[Hz]			Swing Voltage	3	3.3	5	[Volt]			Dimming duty cycle	5	—	100	%		*5.1.3 Backlight Unit- Parameter guideline for LED driving is under stable conditions at 25°C (Room Temperature): <table border="1"> <thead> <tr> <th>Symbol</th> <th>Parameter</th> <th>Min.</th> <th>Typ.</th> <th>Max.</th> <th>Unit</th> <th>Remark</th> </tr> </thead> <tbody> <tr> <td>V_{CC}</td> <td>Input Voltage</td> <td>10.8</td> <td>12</td> <td>13.2</td> <td>[Volt]</td> <td></td> </tr> <tr> <td>I_{CC}</td> <td>Input Current</td> <td>—</td> <td>0.68</td> <td>0.75</td> <td>[A]</td> <td>100% PWM Duty</td> </tr> <tr> <td>P_{CC}</td> <td>Power Consumption</td> <td>—</td> <td>8.5</td> <td>9</td> <td>[Watt]</td> <td>100% PWM Duty</td> </tr> <tr> <td>F_{FW}</td> <td>Dimming Duty</td> <td>200Hz~5KHz</td> <td>5</td> <td>—</td> <td>100</td> <td>[%]</td> </tr> <tr> <td></td> <td>Dimming Duty</td> <td>5KHz~20KHz</td> <td>15</td> <td>—</td> <td>100</td> <td>[%]</td> </tr> <tr> <td></td> <td>Swing Voltage</td> <td>3</td> <td>3.3</td> <td>5</td> <td>[Volt]</td> <td></td> </tr> </tbody> </table>	Symbol	Parameter	Min.	Typ.	Max.	Unit	Remark	V _{CC}	Input Voltage	10.8	12	13.2	[Volt]		I _{CC}	Input Current	—	0.68	0.75	[A]	100% PWM Duty	P _{CC}	Power Consumption	—	8.5	9	[Watt]	100% PWM Duty	F _{FW}	Dimming Duty	200Hz~5KHz	5	—	100	[%]		Dimming Duty	5KHz~20KHz	15	—	100	[%]		Swing Voltage	3	3.3	5	[Volt]																																																	
Symbol	Parameter	Min.	Typ.	Max.	Unit	Remark																																																																																																																																															
V _{CC}	Input Voltage	10.8	12	13.2	[Volt]																																																																																																																																																
I _{CC}	Input Current	—	0.68	0.75	[A]	100% PWM Duty																																																																																																																																															
P _{CC}	Power Consumption	—	8.5	9	[Watt]	100% PWM Duty																																																																																																																																															
F _{FW}	Dimming Frequency	200	—	20K	[Hz]																																																																																																																																																
	Swing Voltage	3	3.3	5	[Volt]																																																																																																																																																
	Dimming duty cycle	5	—	100	%																																																																																																																																																
Symbol	Parameter	Min.	Typ.	Max.	Unit	Remark																																																																																																																																															
V _{CC}	Input Voltage	10.8	12	13.2	[Volt]																																																																																																																																																
I _{CC}	Input Current	—	0.68	0.75	[A]	100% PWM Duty																																																																																																																																															
P _{CC}	Power Consumption	—	8.5	9	[Watt]	100% PWM Duty																																																																																																																																															
F _{FW}	Dimming Duty	200Hz~5KHz	5	—	100	[%]																																																																																																																																															
	Dimming Duty	5KHz~20KHz	15	—	100	[%]																																																																																																																																															
	Swing Voltage	3	3.3	5	[Volt]																																																																																																																																																
	P18	<table border="1"> <thead> <tr> <th rowspan="2">Parameter</th> <th colspan="3">Value</th> <th rowspan="2">Unit</th> </tr> <tr> <th>Min.</th> <th>Typ.</th> <th>Max.</th> </tr> </thead> <tbody> <tr> <td>T1</td> <td>0.5</td> <td>—</td> <td>10</td> <td>[ms]</td> </tr> <tr> <td>T2</td> <td>30</td> <td>40</td> <td>50</td> <td>[ms]</td> </tr> <tr> <td>T3</td> <td>200</td> <td>—</td> <td>—</td> <td>[ms]</td> </tr> <tr> <td>T4</td> <td>0.5</td> <td>—</td> <td>10</td> <td>[ms]</td> </tr> <tr> <td>T5</td> <td>10</td> <td>—</td> <td>—</td> <td>[ms]</td> </tr> <tr> <td>T6</td> <td>10</td> <td>—</td> <td>—</td> <td>[ms]</td> </tr> <tr> <td>T7</td> <td>0</td> <td>—</td> <td>—</td> <td>[ms]</td> </tr> <tr> <td>T8</td> <td>10</td> <td>—</td> <td>—</td> <td>[ms]</td> </tr> <tr> <td>T9</td> <td>—</td> <td>—</td> <td>10</td> <td>[ms]</td> </tr> <tr> <td>T10</td> <td>110</td> <td>—</td> <td>—</td> <td>[ms]</td> </tr> <tr> <td>T11</td> <td>0</td> <td>16</td> <td>50</td> <td>[ms]</td> </tr> <tr> <td>T12</td> <td>—</td> <td>—</td> <td>10</td> <td>[ms]</td> </tr> <tr> <td>T13</td> <td>1000</td> <td>—</td> <td>—</td> <td>[ms]</td> </tr> </tbody> </table>	Parameter	Value			Unit	Min.	Typ.	Max.	T1	0.5	—	10	[ms]	T2	30	40	50	[ms]	T3	200	—	—	[ms]	T4	0.5	—	10	[ms]	T5	10	—	—	[ms]	T6	10	—	—	[ms]	T7	0	—	—	[ms]	T8	10	—	—	[ms]	T9	—	—	10	[ms]	T10	110	—	—	[ms]	T11	0	16	50	[ms]	T12	—	—	10	[ms]	T13	1000	—	—	[ms]	<table border="1"> <thead> <tr> <th rowspan="2">Parameter</th> <th colspan="3">Value</th> <th rowspan="2">Unit</th> </tr> <tr> <th>Min.</th> <th>Typ.</th> <th>Max.</th> </tr> </thead> <tbody> <tr> <td>T1</td> <td>0.5</td> <td>—</td> <td>10</td> <td>[ms]</td> </tr> <tr> <td>T2</td> <td>30</td> <td>40</td> <td>50</td> <td>[ms]</td> </tr> <tr> <td>T3</td> <td>500</td> <td>—</td> <td>—</td> <td>[ms]</td> </tr> <tr> <td>T4</td> <td>0.5</td> <td>—</td> <td>10</td> <td>[ms]</td> </tr> <tr> <td>T5</td> <td>10</td> <td>—</td> <td>—</td> <td>[ms]</td> </tr> <tr> <td>T6</td> <td>10</td> <td>—</td> <td>—</td> <td>[ms]</td> </tr> <tr> <td>T7</td> <td>0</td> <td>—</td> <td>—</td> <td>[ms]</td> </tr> <tr> <td>T8</td> <td>10</td> <td>—</td> <td>—</td> <td>[ms]</td> </tr> <tr> <td>T9</td> <td>—</td> <td>—</td> <td>10</td> <td>[ms]</td> </tr> <tr> <td>T10</td> <td>110</td> <td>—</td> <td>—</td> <td>[ms]</td> </tr> <tr> <td>T11</td> <td>0</td> <td>16</td> <td>50</td> <td>[ms]</td> </tr> <tr> <td>T12</td> <td>—</td> <td>—</td> <td>10</td> <td>[ms]</td> </tr> <tr> <td>T13</td> <td>1000</td> <td>—</td> <td>—</td> <td>[ms]</td> </tr> </tbody> </table>	Parameter	Value			Unit	Min.	Typ.	Max.	T1	0.5	—	10	[ms]	T2	30	40	50	[ms]	T3	500	—	—	[ms]	T4	0.5	—	10	[ms]	T5	10	—	—	[ms]	T6	10	—	—	[ms]	T7	0	—	—	[ms]	T8	10	—	—	[ms]	T9	—	—	10	[ms]	T10	110	—	—	[ms]	T11	0	16	50	[ms]	T12	—	—	10	[ms]	T13	1000	—	—	[ms]
Parameter	Value			Unit																																																																																																																																																	
	Min.	Typ.	Max.																																																																																																																																																		
T1	0.5	—	10	[ms]																																																																																																																																																	
T2	30	40	50	[ms]																																																																																																																																																	
T3	200	—	—	[ms]																																																																																																																																																	
T4	0.5	—	10	[ms]																																																																																																																																																	
T5	10	—	—	[ms]																																																																																																																																																	
T6	10	—	—	[ms]																																																																																																																																																	
T7	0	—	—	[ms]																																																																																																																																																	
T8	10	—	—	[ms]																																																																																																																																																	
T9	—	—	10	[ms]																																																																																																																																																	
T10	110	—	—	[ms]																																																																																																																																																	
T11	0	16	50	[ms]																																																																																																																																																	
T12	—	—	10	[ms]																																																																																																																																																	
T13	1000	—	—	[ms]																																																																																																																																																	
Parameter	Value			Unit																																																																																																																																																	
	Min.	Typ.	Max.																																																																																																																																																		
T1	0.5	—	10	[ms]																																																																																																																																																	
T2	30	40	50	[ms]																																																																																																																																																	
T3	500	—	—	[ms]																																																																																																																																																	
T4	0.5	—	10	[ms]																																																																																																																																																	
T5	10	—	—	[ms]																																																																																																																																																	
T6	10	—	—	[ms]																																																																																																																																																	
T7	0	—	—	[ms]																																																																																																																																																	
T8	10	—	—	[ms]																																																																																																																																																	
T9	—	—	10	[ms]																																																																																																																																																	
T10	110	—	—	[ms]																																																																																																																																																	
T11	0	16	50	[ms]																																																																																																																																																	
T12	—	—	10	[ms]																																																																																																																																																	
T13	1000	—	—	[ms]																																																																																																																																																	
1.0 2021/11/11	P1	Preliminary Specification	Final Specification																																																																																																																																																		

1. Handling Precautions

- 1) Since front polarizer is easily damaged, please be cautious and not to scratch it.
- 2) Be sure to turn off power supply when inserting or disconnecting from input connector.
- 3) Wipe off water drop immediately. Long contact with water may cause discoloration or spots.
- 4) When the panel surface is soiled, wipe it with absorbent cotton or soft cloth.
- 5) Since the panel is made of glass, it may be broken or cracked if dropped or bumped on hard surface.
- 6) To avoid ESD (Electro Static Discharge) damage, be sure to ground yourself before handling TFT-LCD Module.
- 7) Do not open nor modify the module assembly.
- 8) Do not press the reflector sheet at the back of the module to any direction.
- 9) In case if a module has to be put back into the packing container slot after it was taken out from the container, do not press the center of the LED light bar edge. Instead, press at the far ends of the LED light bar edge softly. Otherwise the TFT Module may be damaged.
- 10) At the insertion or removal of the Signal Interface Connector, be sure not to rotate nor tilt the Interface Connector of the TFT Module.
- 11) TFT-LCD Module is not allowed to be twisted & bent even force is added on module in a very short time. Please design your display product well to avoid external force applying to module by end-user directly.
- 12) Small amount of materials without flammability grade are used in the TFT-LCD module. The TFT-LCD module should be supplied by power complied with requirements of Limited Power Source (IEC60950 or UL1950), or be applied exemption.
- 13) Severe temperature condition may result in different luminance, response time and lamp ignition voltage.
- 14) Continuous operating TFT-LCD display under low temperature environment may accelerate lamp exhaustion and reduce luminance dramatically.
- 15) The data on this specification sheet is applicable when LCD module is placed in landscape position.
- 16) Continuous displaying fixed pattern may induce image sticking. It's recommended to use screen saver or shuffle content periodically if fixed pattern is displayed on the screen.

2. General Description

G190ETN01.2 is a Color Active Matrix Liquid Crystal Display composed of a TFT-LCD panel, a driver circuit, and a backlight system. The screen format is intended to support the SXGA (1280(H) x 1024(V)) screen and 16.7M colors (RGB 6-bits + HiFRC data). All input signals are 2-channel LVDS interface.

2.1 Display Characteristics

The following items are characteristics summary on the table under 25 °C condition:

Items	Unit	Specifications
Screen Diagonal	[mm]	482.6 (19.0")
Active Area	[mm]	376.32 (H) x 301.06 (V)
Pixels H x V		1280(x3) x 1024
Pixel Pitch	[mm]	0.294 (per one triad) x 0.294
Pixel Arrangement		R.G.B. Vertical Stripe
Display Mode		Normally White
White Luminance	[cd/m ²]	350 (center, Typ) @50mA
Contrast Ratio		1000 : 1 (Typ)
Optical ResponseTime	[msec]	10 ms(Typ, on/off)
Nominal Input Voltage VDD	[Volt]	+5.0 V
Power Consumption	[Watt]	13.5W (Typ)
Weight	[Grams]	1800 (Typ)
Physical Size (H x V x D)	[mm]	396 (H) x 324 (V) x 15.18(D) (Typ)
Electrical Interface		Dual channel LVDS
Surface Treatment		Anti-glare, Hardness 3H
Support Color		16.7M colors (RGB 6-bit + Hi_FRC)
Temperature Range Operating Storage (Non-Operating)	[°C] [°C]	-30 to +85 -30 to +85
RoHS Compliance		RoHS Compliance

2.2 Optical Characteristics

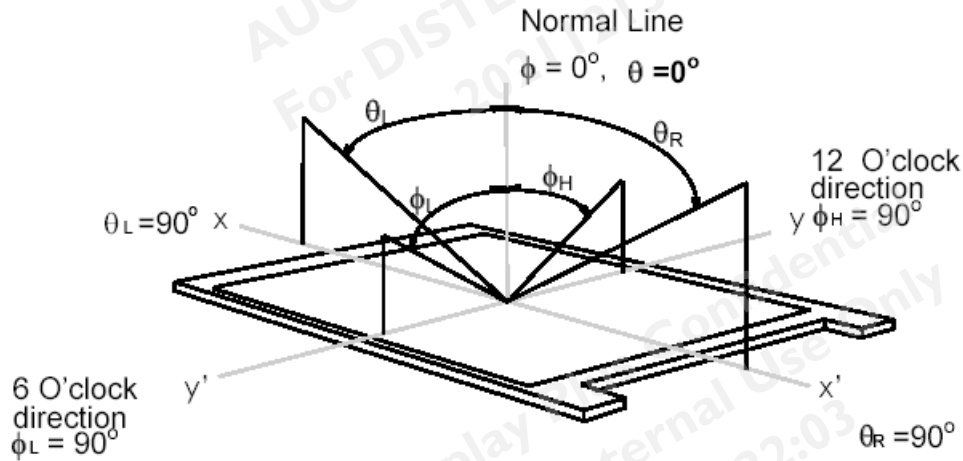
The optical characteristics are measured under stable conditions at 25°C(Room Temperature).

Item	Unit	Conditions	Min.	Typ.	Max.	Note
Viewing Angle	[degree]	Horizontal (Right) CR = 5 (Left)	75 75	85 85	-	1
		Vertical (Up) CR = 5 (Down)	70 70	80 80	-	
Contrast Ratio		Normal Direction	600	1000	-	
Central Luminance	[cd/m ²]		280	350	-	2
Optical Response Time	[msec]	Raising Time (TrR)	-	7	12	3
		Falling Time (TrF)	-	3	8	
		Rising + Falling	-	10	20	
Color / Chromaticity Coordinates (CIE)		Red x	0.590	0.640	0.690	
		Red y	0.294	0.344	0.394	
		Green x	0.270	0.320	0.370	
		Green y	0.562	0.612	0.662	
		Blue x	0.098	0.148	0.198	
		Blue y	0.016	0.066	0.116	
		White x	0.263	0.313	0.363	
White y	0.279	0.329	0.379			
Luminance Uniformity	[%]	9 Points	75	80	-	4,5
NTSC	[%]		-	70	-	

Optical Equipment: BM-5A, BM-7, PR880, or equivalent

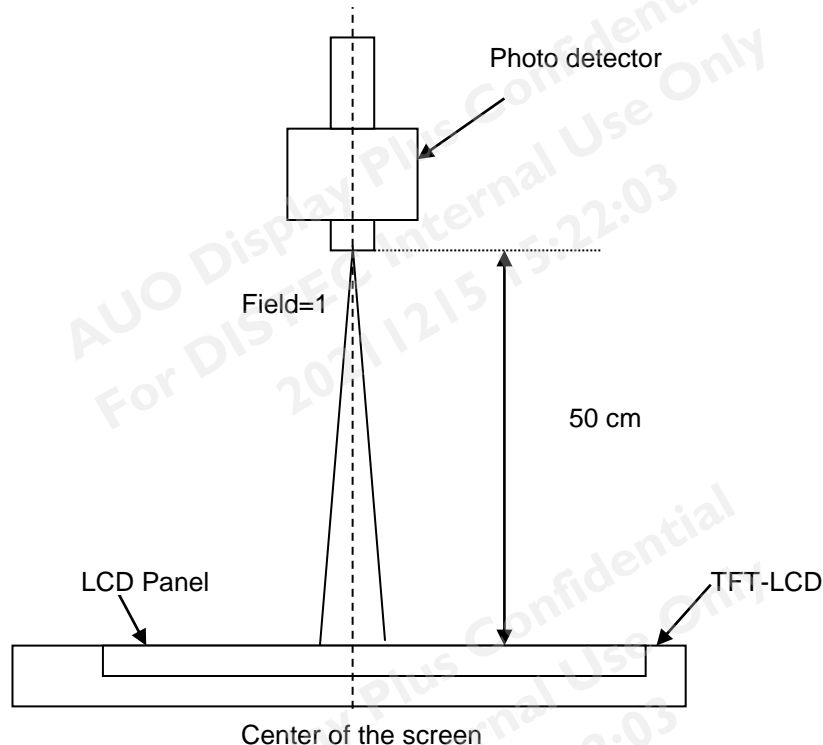
Note 1: Definition of viewing angle

Viewing angle is the measurement of contrast ratio ≥ 10 , or ≥ 5 , at the screen center, over a 180° horizontal and 180° vertical range (off-normal viewing angles). The 180° viewing angle range is broken down as follows; 90° (θ) horizontal left and right and 90° (Φ) vertical, high (up) and low (down). The measurement direction is typically perpendicular to the display surface with the screen rotated about its center to develop the desired measurement viewing angle.



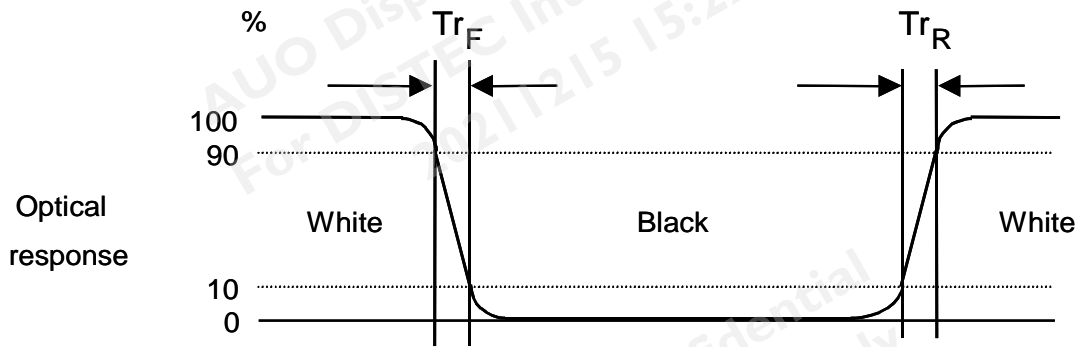
Note 2: Measurement method

The LCD module should be stabilized at given temperature for 30 minutes to avoid abrupt temperature change during measuring. In order to stabilize the luminance, the measurement should be executed after lighting Backlight for 30 minutes in a stable, windless and dark room.

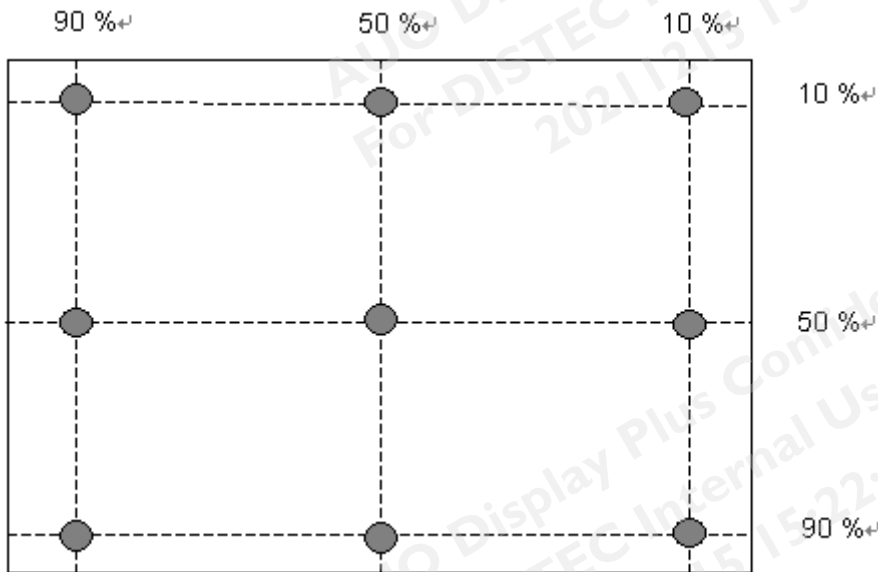


Note 3: Definition of response time:

The output signals of photo detector are measured when the input signals are changed from “Full Black” to “Full White” (rising time), and from “Full White” to “Full Black” (falling time), respectively. The response time is interval between the 10% and 90% of amplitudes. Please refer to the figure as below.



Note 4: 9 points position

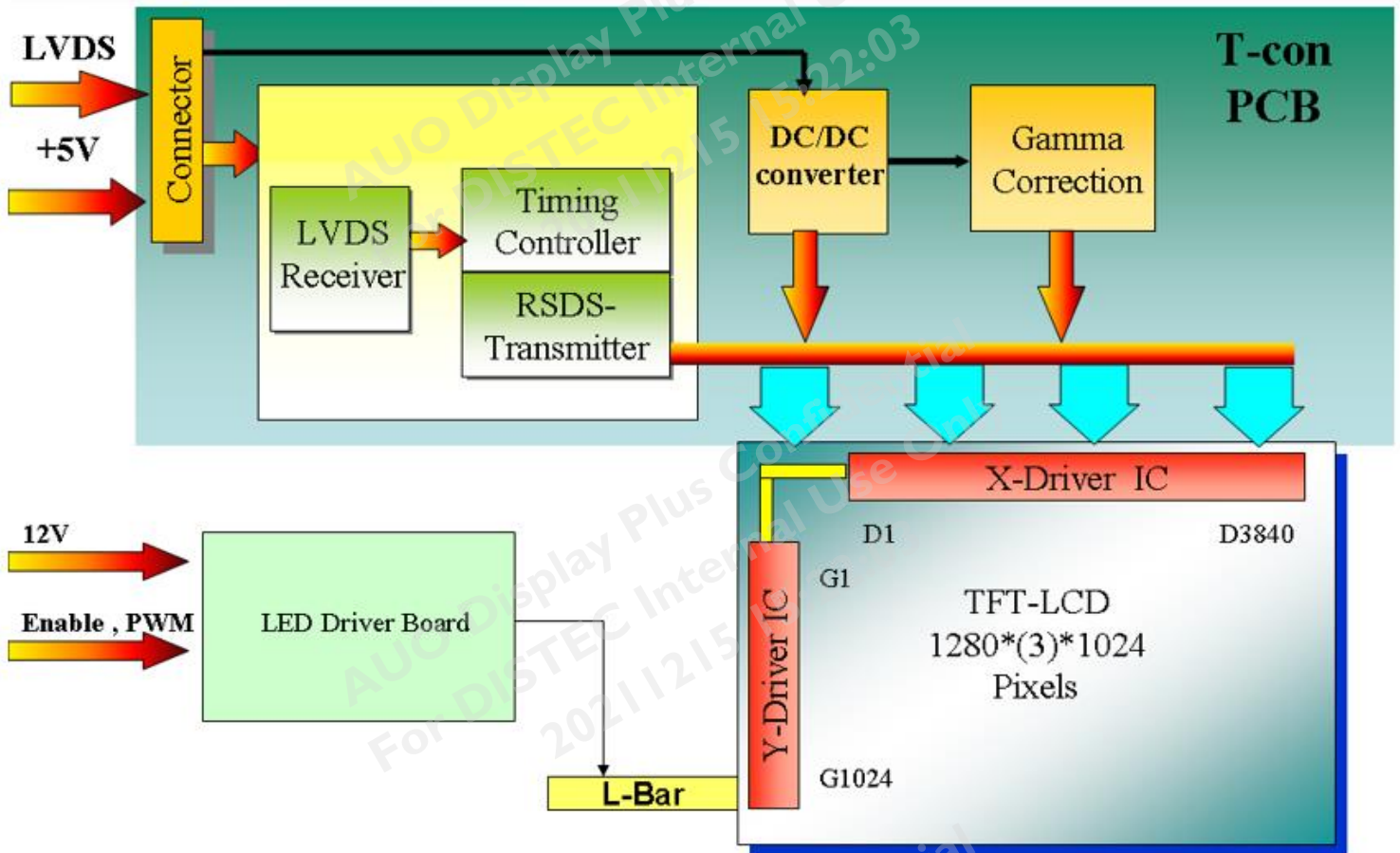


Note 5:

$$\text{Uniformity} = \frac{\text{Minimum Luminance in 9 points (1 - 9)}}{\text{Maximum Luminance in 9 Points (1 - 9)}}$$

3. Functional Block Diagram

The following diagram shows the functional block of the 19.0 inches wide Color TFT-LCD Module:



4. Absolute Maximum Ratings

Absolute maximum ratings of the module are as following:

4.1 TFT LCD Module

Item	Symbol	Min	Max	Unit	Conditions
Logic/LCD Drive Voltage	VDD	-0.3	+6.0	[Volt]	Note 1,2

4.2 Absolute Ratings of Environment

Item	Symbol	Min.	Max.	Unit	Conditions
Operating Temperature	TOP	-30	+85	[°C]	Note 3
Operation Humidity	HOP	5	95	[%RH]	Note 3
Storage Temperature	TST	-30	+85	[°C]	
Storage Humidity	HST	5	95	[%RH]	

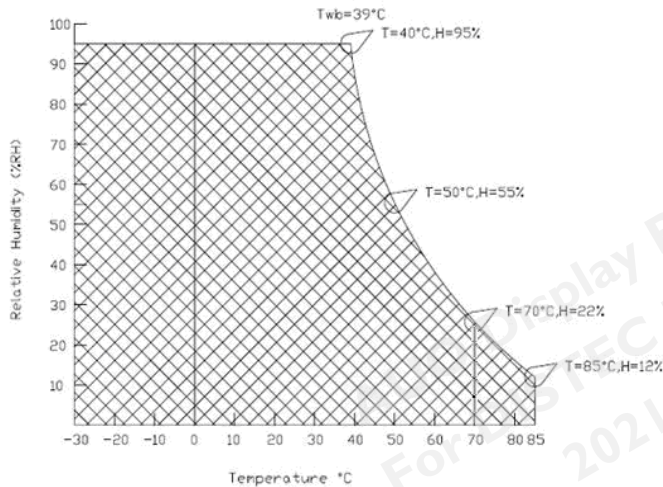
Note 1: With in Ta (25°C)

Note 2: Permanent damage to the device may occur if exceeding maximum values

Note 3: Temperature and relative humidity range are shown as the below figure.

1. 95% RH Max (Ta ≤ 39°C)
2. Max wet-bulb temperature at 39°C or less. (Ta ≤ 39°C)
3. No condensation

Note 4: Function Judged only



5. Electrical Characteristics

5.1 TFT LCD Module

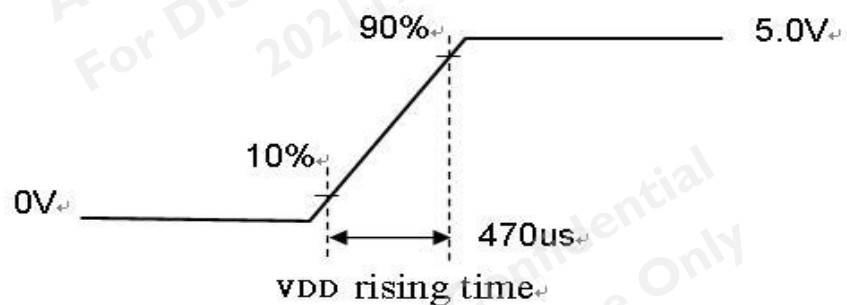
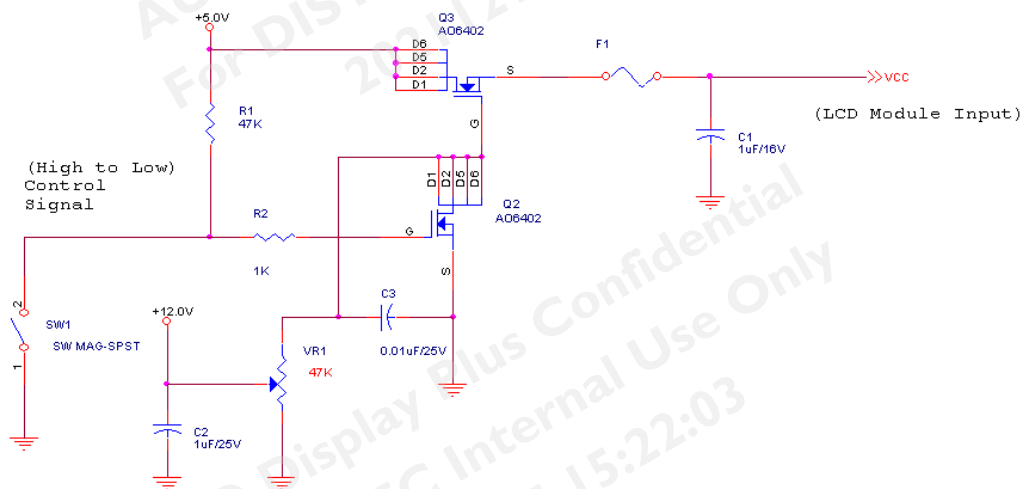
5.1.1 Power Specification

Input power specifications are as follows:

Symbol	Parameter	Min	Typ	Max	Unit	Conditions
VDD	Logic/LCD Drive Voltage	4.5	5.0	5.5	[Volt]	+/-10%
IDD	Input Current	-	1	1.2	[A]	VDD= 5.0V, All Black Pattern At 75Hz
PDD	VDD Power	-	5	6	[Watt]	VDD= 5.0V, All Black Pattern At 75Hz
IRush	Inrush Current	-	-	3.0	[A]	Note 1
VDDrp	Allowable Logic/LCD Drive Ripple Voltage	-	-	100	[mV] p-p	VDD= 5.0V, All Black Pattern At 75Hz

Note 1: Measurement conditions:

The duration of rising time of power input is 470us.



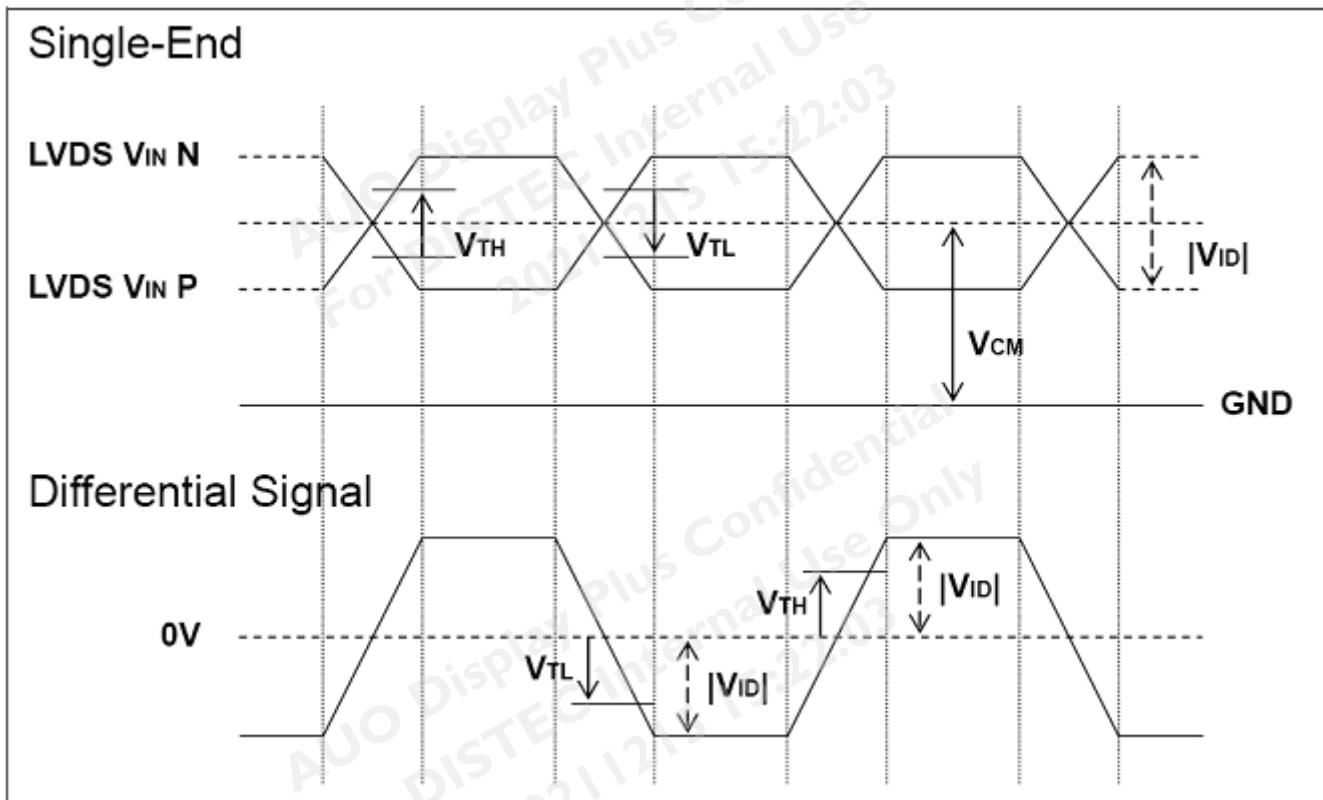
5.1.2 Signal Electrical Characteristics

Input signals shall be low or Hi-Z state when VDD is off. Please refer to specifications of SN75LVDS82DGG (Texas Instruments) in detail.

Each signal characteristics are as follows;

Symbol	Parameter	Min	Typ	Max	Units	Condition
V_{TH}	Differential Input High Threshold	-	-	+100	[mV]	$V_{CM} = 1.2V$ Note 1
V_{TL}	Differential Input Low Threshold	-100	-	-	[mV]	$V_{CM} = 1.2V$ Note 1
$ V_{ID} $	Input Differential Voltage	100	400	600	[mV]	Note 1
V_{CM}	Differential Input Common Mode Voltage	+1.0	+1.2	+1.5	[V]	$V_{TH}-V_{TL} = 200mV (max)$ Note 1

Note1: LVDS Signal Waveform



5.1.3 Backlight Unit

Parameter guideline for LED driving is under stable conditions at 25°C (Room Temperature):

Symbol	Parameter	Min.	Typ.	Max.	Unit	Remark
VCC	Input Voltage	10.8	12	13.2	[Volt]	
I_{VCC}	Input Current	-	0.68	0.75	[A]	100% PWM Duty
P_{VCC}	Power Consumption	-	8.5	9	[Watt]	100% PWM Duty
F_{PWM}	Dimming Duty 200Hz~5KHz	5	--	100	[%]	
	Dimming Duty 5KHz~20KHz	15	--	100	[%]	
	Swing Voltage	3	3.3	5	[Volt]	
I_F	LED Forward Current	-	50	-	[mA]	Ta = 25°C
V_F	LED Forward Voltage	-	-	-	[Volt]	I _F = 50mA, Ta = 0°C
		-	36	38.4	[Volt]	I _F = 50mA, Ta = 25°C
		-	-	-	[Volt]	I _F = 50mA, Ta = 70°C
P_{LED}	LED Power Consumption	-	7.2	7.68	[Watt]	
LED Life Time		50,000		-	Hrs	I _F =50mA, Ta= 25°C

Note 1: Ta means ambient temperature of TFT-LCD module.

Note 2: VCC, ICC, PCC are defined for LED backlight.(100% duty of PWM dimming)

Note 3: I_F, V_F are defined for one channel LED. There are four LED channels in back light unit.

Note 4: If G190ETN01.2 module is driven by high current or at high ambient temperature & humidity condition. The operating life will be reduced.

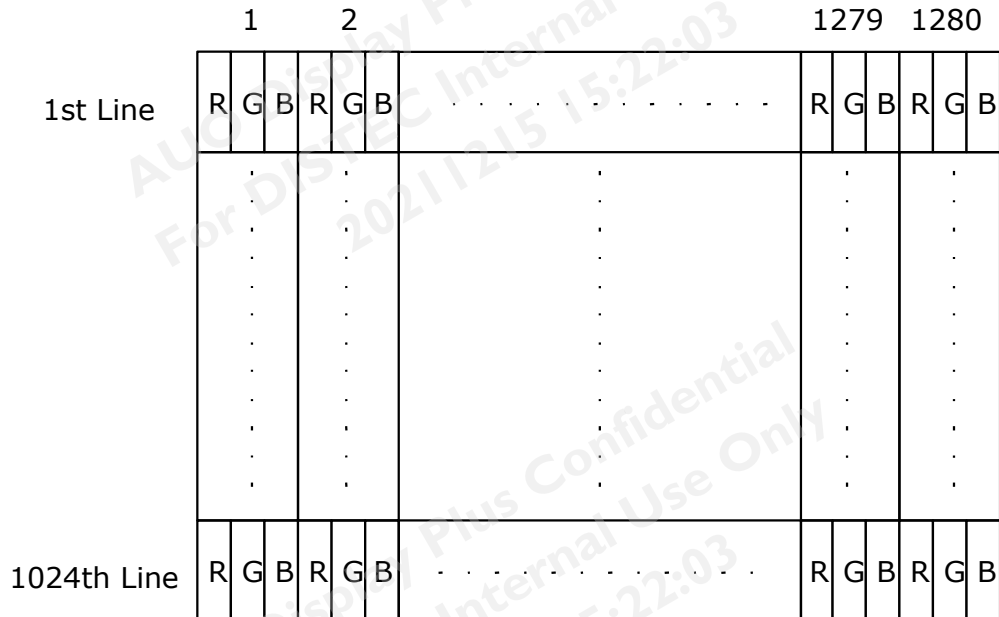
Note 5: Operating life means brightness goes down to 50% initial brightness. Minimum operating life time is estimated data.

Note 6: LED lifetime is definition: brightness is decreased to 50% of the initial value. LED lifetime is restricted under normal condition, ambient temperature = 25°C and LED operating I_F = 50mA.

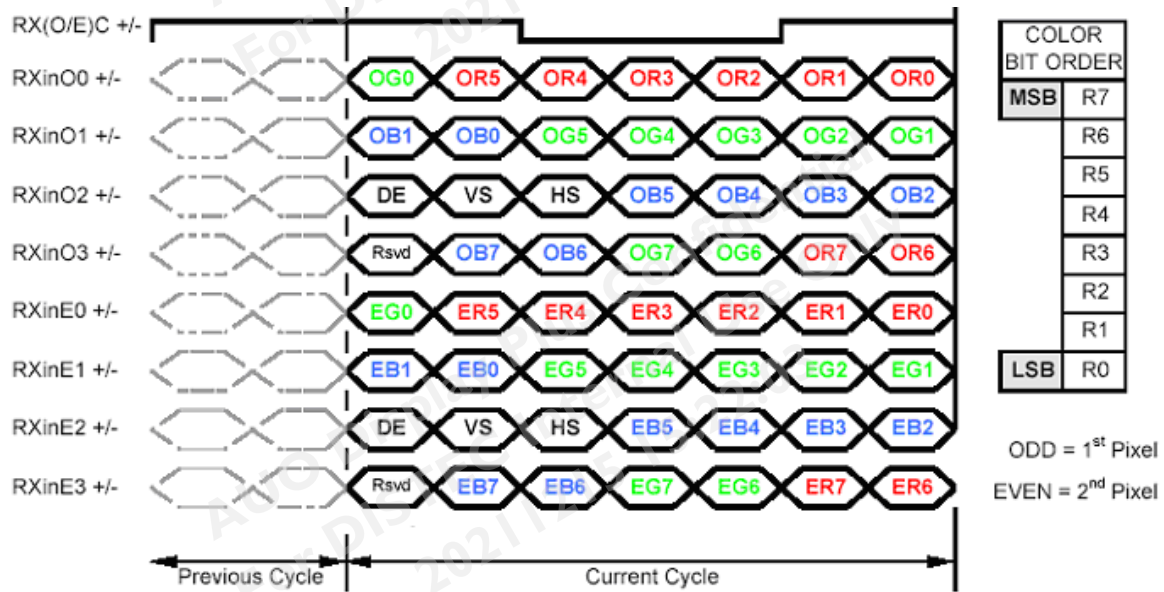
6. Signal Characteristic

6.1 Pixel Format Image

Following figure shows the relationship of the input signals and LCD pixel format.



6.2 The Input Data Format



Note1: DE only , VS, HS on EVEN channel are not used.

Note2: Please follow PSWG.

Note3: 8-bit in

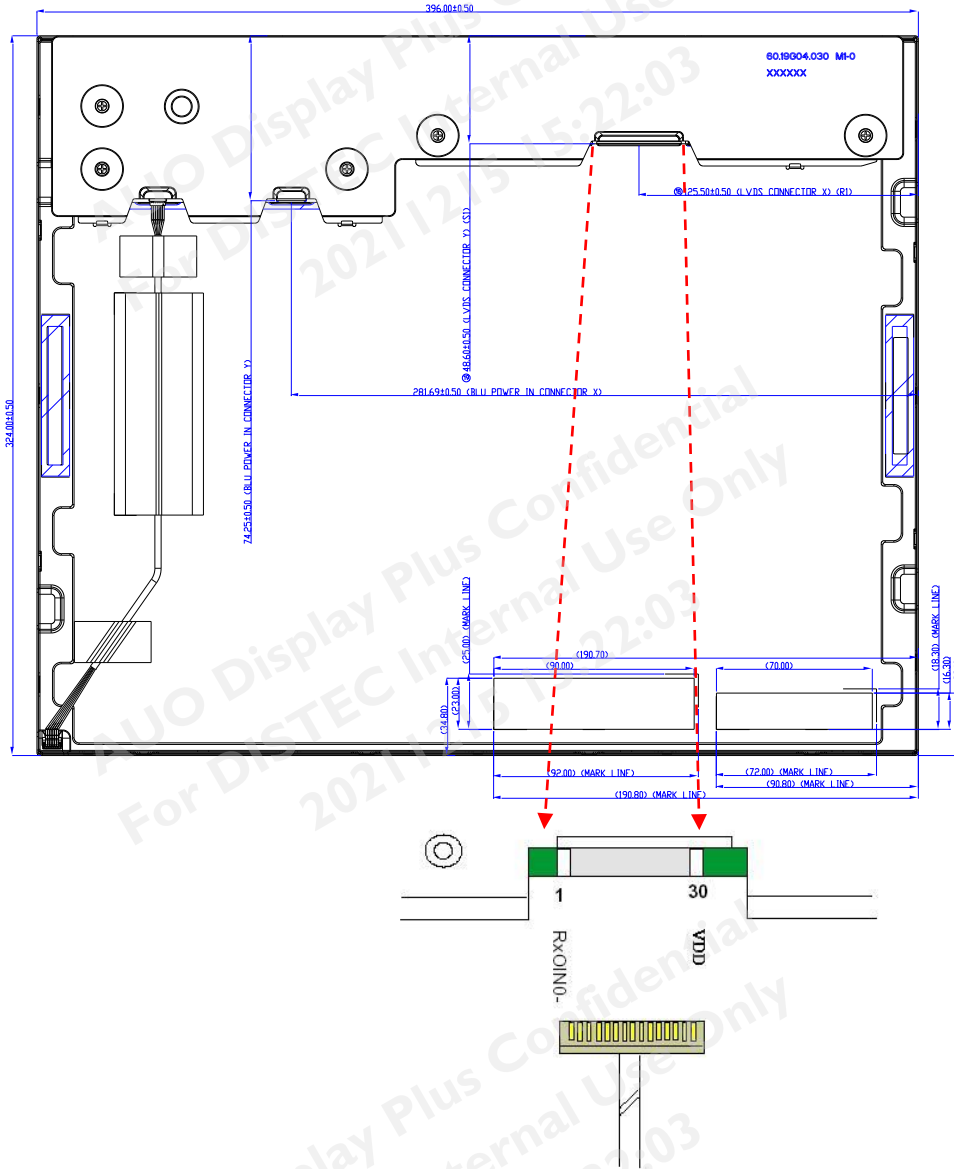
6.3 Signal Description

The module using one LVDS receiver SN75LVDS82(Texas Instruments). LVDS is a differential signal technology for LCD interface and high speed data transfer device. LVDS transmitters shall be SN75LVDS83(negative edge sampling). The first LVDS port(RxOxxx) transmits odd pixels while the second LVDS port(RxExxx) transmits even pixels.

PIN #	SIGNAL NAME	DESCRIPTION
1	RxOIN0-	Negative LVDS differential data input (Odd data)
2	RxOIN0+	Positive LVDS differential data input (Odd data)
3	RxOIN1-	Negative LVDS differential data input (Odd data)
4	RxOIN1+	Positive LVDS differential data input (Odd data)
5	RxOIN2-	Negative LVDS differential data input (Odd data, DSPTMG)
6	RxOIN2+	Positive LVDS differential data input (Odd data, DSPTMG)
7	GND	Power Ground
8	RxOCLKIN-	Negative LVDS differential clock input (Odd clock)
9	RxOCLKIN+	Positive LVDS differential clock input (Odd clock)
10	RxOIN3-	Negative LVDS differential data input (Odd data)
11	RxOIN3+	Positive LVDS differential data input (Odd data)
12	RxEIN0-	Negative LVDS differential data input (Even data)
13	RxEIN0+	Positive LVDS differential data input (Even data)
14	GND	Power Ground
15	RxEIN1-	Negative LVDS differential data input (Even data)
16	RxEIN1+	Positive LVDS differential data input (Even data)
17	GND	Power Ground
18	RxEIN2-	Negative LVDS differential data input (Even data)
19	RxEIN2+	Positive LVDS differential data input (Even data)
20	RxECLKIN-	Negative LVDS differential clock input (Even clock)
21	RxECLKIN+	Positive LVDS differential clock input (Even clock)
22	RxEIN3-	Negative LVDS differential data input (Even data)
23	RxEIN3+	Positive LVDS differential data input (Even data)
24	GND	Power Ground
25	GND	Power Ground
26	NC	Not Connect
27	NC	Not Connect
28	POWER	Power +5V
29	POWER	Power +5V
30	POWER	Power +5V

Note: "Power Ground" stands for 0V.

Note1: Start from left side



Note2: Input signals of odd and even clock shall be the same timing.

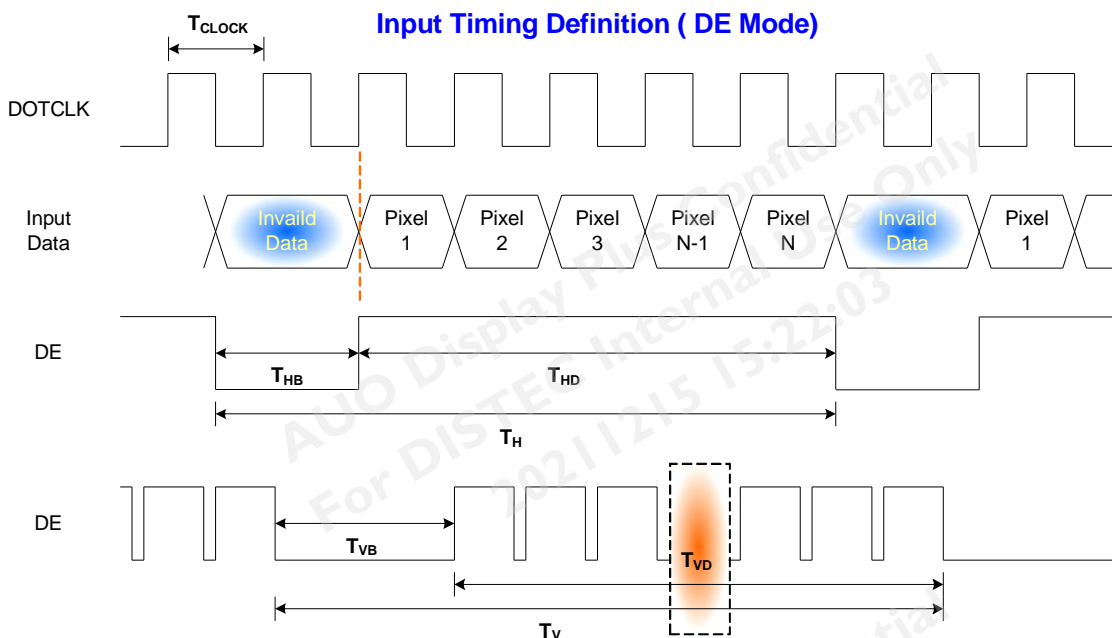
6.4 Interface Timing

6.4.1 Timing Characteristics

Signal	Item	Symbol	Min	Typ	Max	Unit
Vertical Section	Period	T_v	1032	1066	1150	Th
	Active	$T_{disp}(v)$	1024	1024	1024	Th
	Blanking	$T_{bp}(v)+T_{fp}(v)+PW_{vs}$	8	42	126	Th
Horizontal Section	Period	T_h	780	844	871	Tclk
	Active	$T_{disp}(h)$	640	640	640	Tclk
	Blanking	$T_{bp}(h)+T_{fp}(h)+PW_{hs}$	140	204	231	Tclk
Clock	Period	Tclk	22.2	18.52	14.81	ns
	Frequency	Freq.	45	54	67.5	MHz
Frame Rate	Frequency	$1/T_v$	49	60	75	Hz

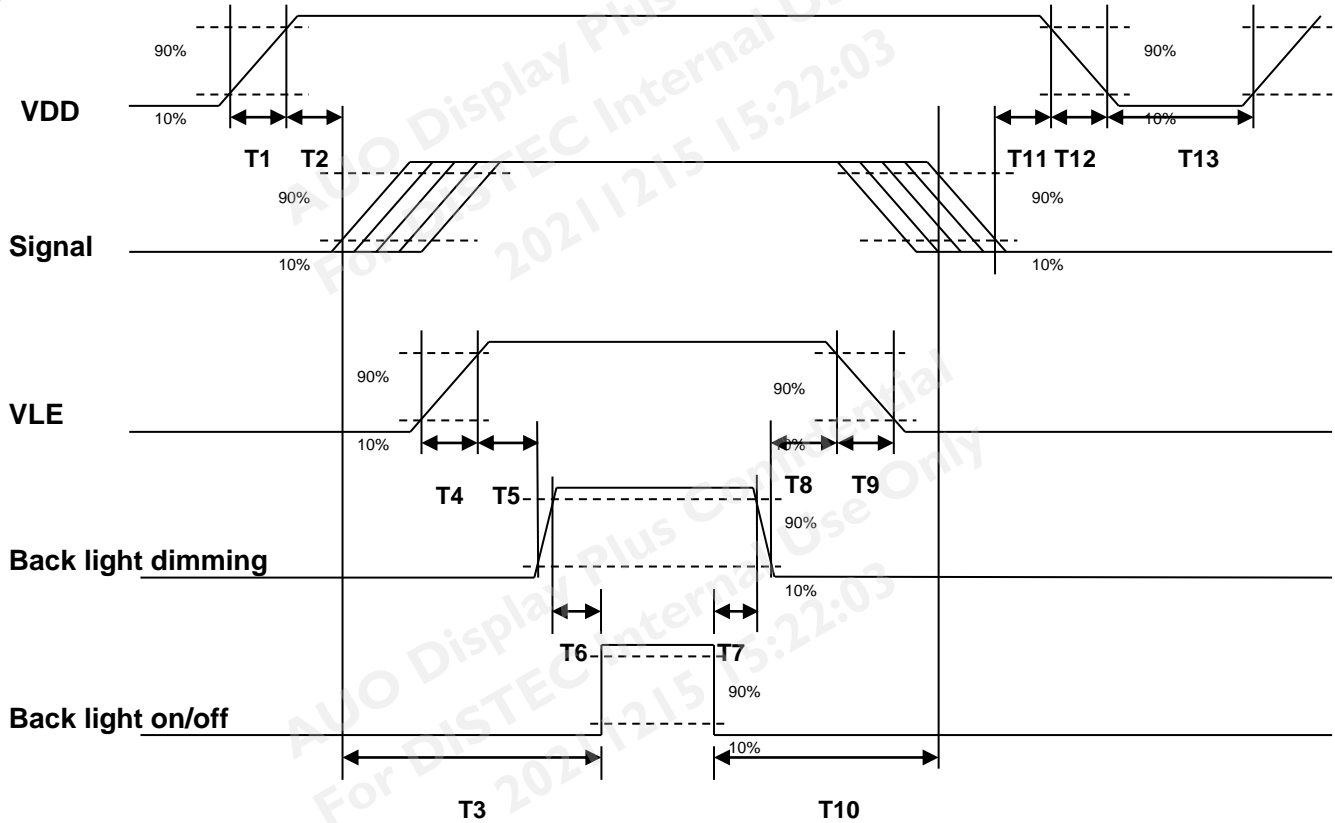
Note: DE mode only

6.4.2 Timing Diagram



6.5 Power ON/OFF Sequence

VDD power and lamp on/off sequence are as follows. Interface signals are also shown in the chart. Signals from any system shall be Hi-Z state or low level when VDD is off.



Parameter	Value			Unit
	Min.	Typ.	Max.	
T1	0.5	-	10	[ms]
T2	30	40	50	[ms]
T3	500	-	-	[ms]
T4	0.5	-	10	[ms]
T5	10	-	-	[ms]
T6	10	-	-	[ms]
T7	0	-	-	[ms]
T8	10	-	-	[ms]
T9	-	-	10	[ms]
T10	110	-	-	[ms]
T11	0	16	50	[ms]
T12	-	-	10	[ms]
T13	1000	-	-	[ms]

7. Connector and Pin Assignment

Physical interface is described as for the connector on module. These connectors are capable of accommodating the following signals and will be following components.

7.1 TFT LCD Module

7.1.1 Connector

Connector Name / Designation	Interface Connector / Interface card
Manufacturer	HRS
Type Part Number	DF14H-30P-1.25H
Mating Housing Manufacturer	HRS or compatible
Mating Housing Part Number	DF14-30S-1.25C or compatible

7.1.2 Pin Assignment

Pin#	Signal Name	Pin#	Signal Name
1	RxOIN0-	2	RxOIN0+
3	RxOIN1-	4	RxOIN1+
5	RxOIN2-	6	RxOIN2+
7	GND	8	RxOCLKIN-
9	RxOCLKIN+	10	RxOIN3-
11	RxOIN3+	12	RxEIN0-
13	RxEIN0+	14	GND
15	RxEIN1-	16	RxEIN1+
17	GND	18	RxEIN2-
19	RxEIN2+	20	RxECLKIN-
21	RxECLKIN+	22	RxEIN3-
23	RxEIN3+	24	GND
25	GND	26	NC
27	NC	28	POWER
29	POWER	30	POWER

7.2 Backlight Unit

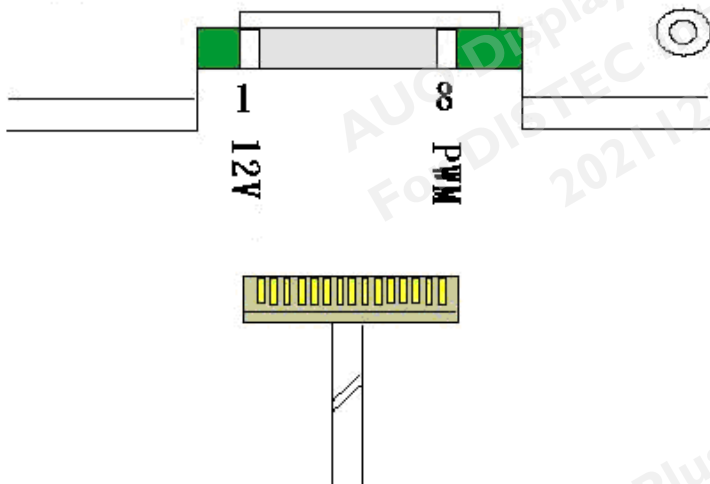
Physical interface is described as for the connector on module. These connectors are capable of accommodating the following signals and will be following components.

7.2.1 Connector

Connector Name / Designation	Light Bar Connector
Manufacturer	JST
Type Part Number	SM08B-GHH-TB
Mating Housing Manufacturer	JST or compatible
Mating Housing Part Number	GHR-08V-S or Compatible

7.2.2 Pin Assignment

Pin#	Symbol	Description
1	VLED	12V input
2	VLED	12V input
3	VLED	12V input
4	GND	GND
5	GND	GND
6	GND	GND
7	On/OFF	3.3-5V:ON, 0V:OFF
8	Dimming	PWM



8. Reliability Test

Environment test conditions are listed as following table.

Items	Required Condition	Note
Temperature Humidity Bias (THB)	Ta= 50°C, 80%RH, 240hours	
High Temperature Operation (HTO)	Ta= 85°C, 240hours	1
Low Temperature Operation (LTO)	Ta= -30°C, 240hours	1
High Temperature Storage (HTS)	Ta= 85°C, 240hours	1
Low Temperature Storage (LTS)	Ta= -30°C, 240hours	1
Vibration Test (Non-operation)	Acceleration: 1.5 G Wave: Random Frequency: 10 - 200 Hz Sweep: 30 Minutes each Axis (X, Y, Z)	
Shock Test (Non-operation)	Acceleration: 50 G Wave: Half-sine Active Time: 20 ms Direction: ±X, ±Y, ±Z (one time for each Axis) Axis)	
Drop Test	Height: 61 cm, package test	
Thermal Shock Test (TST)	-20°C/30min, 60°C/30min, 50 cycles	
ESD (Electro-Static Discharge)	Contact Discharge: ± 8KV, 150pF(330Ω) 1sec, 9 points, 25 times/ point.	2
	Air Discharge: ± 15KV, 150pF(330Ω) 1sec, 9 points, 25 times/ point.	

Note1: No function failure occurs.

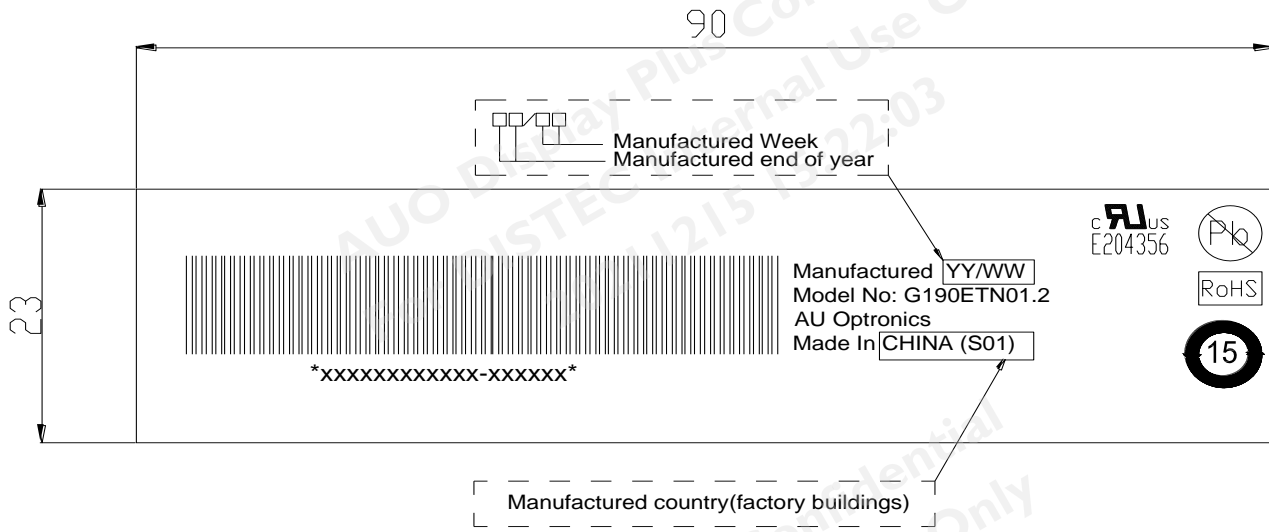
Note2: According to EN61000-4-2, ESD class B: Some performance degradation allowed. No data lost Self-recoverable. No hardware failures.

Note3:

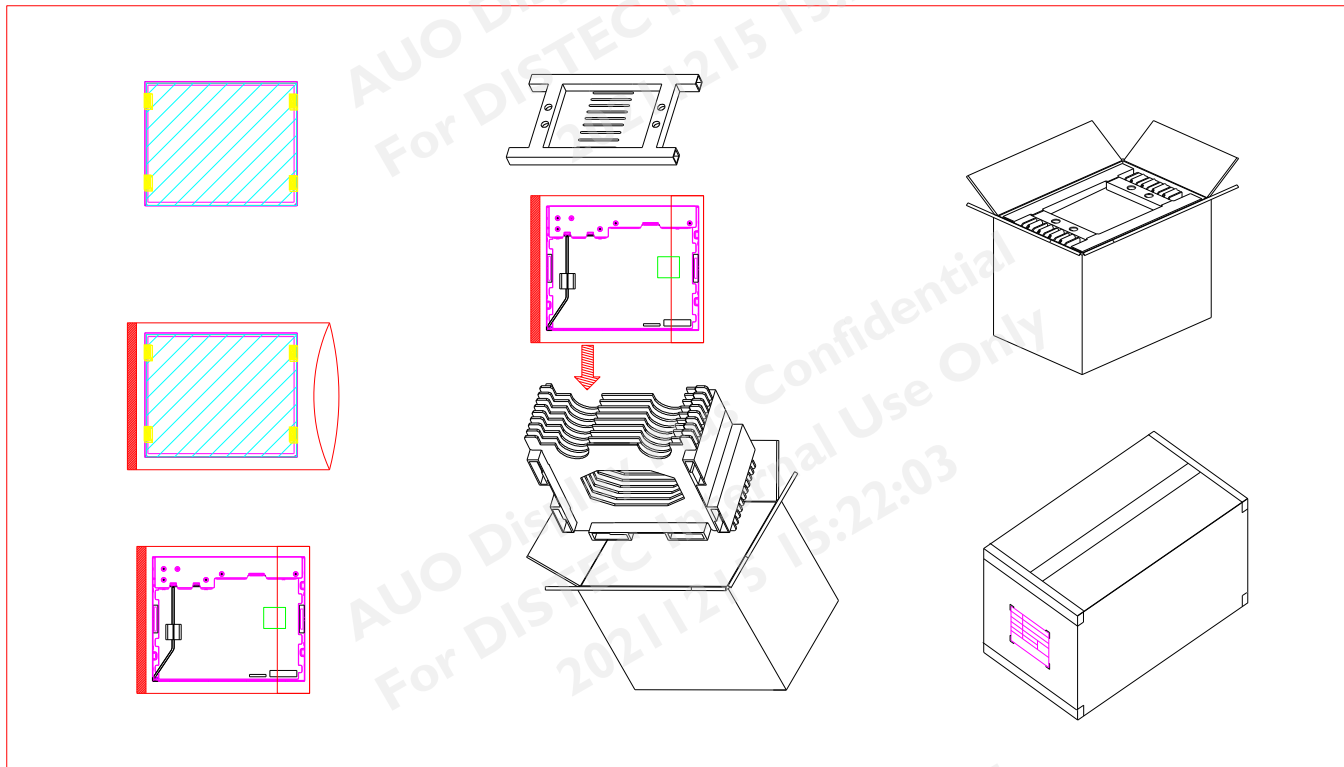
- Water condensation is not allowed for each test items.
- Each test is done by new TFT-LCD module. Don't use the same TFT-LCD module repeatedly for reliability test.
- The reliability test is performed only to examine the TFT-LCD module capability.
- To inspect TFT-LCD module after reliability test, please store it at room temperature and room humidity for 24 hours at least in advance.
- Mura shall be ignored after high temperature reliability test.

9. Label and Packing

9.1. Shipping Label



9.2 Packing Form



Max capacity : 8 TFT-LCD module per carton

Max weight: 18.0 kg per carton

Outside dimension of carton: 489mm(L)* 293mm(W)*420mm(H)

Pallet size : 1180 mm * 980 mm * 132mm

9.3 Palletizing Sequence

Module by air : (2 *4) *3 layers , one pallet put 24 boxes , total 192pcs module

Module by sea : One pallet (2 *4) *3 layers + One pallet (2 *4) *1 layers , total 256pcs module

Module by sea_ HQ : One pallet (2 *4) *3 layers + One pallet (2 *4) *2 layers , Total 320 pcs module

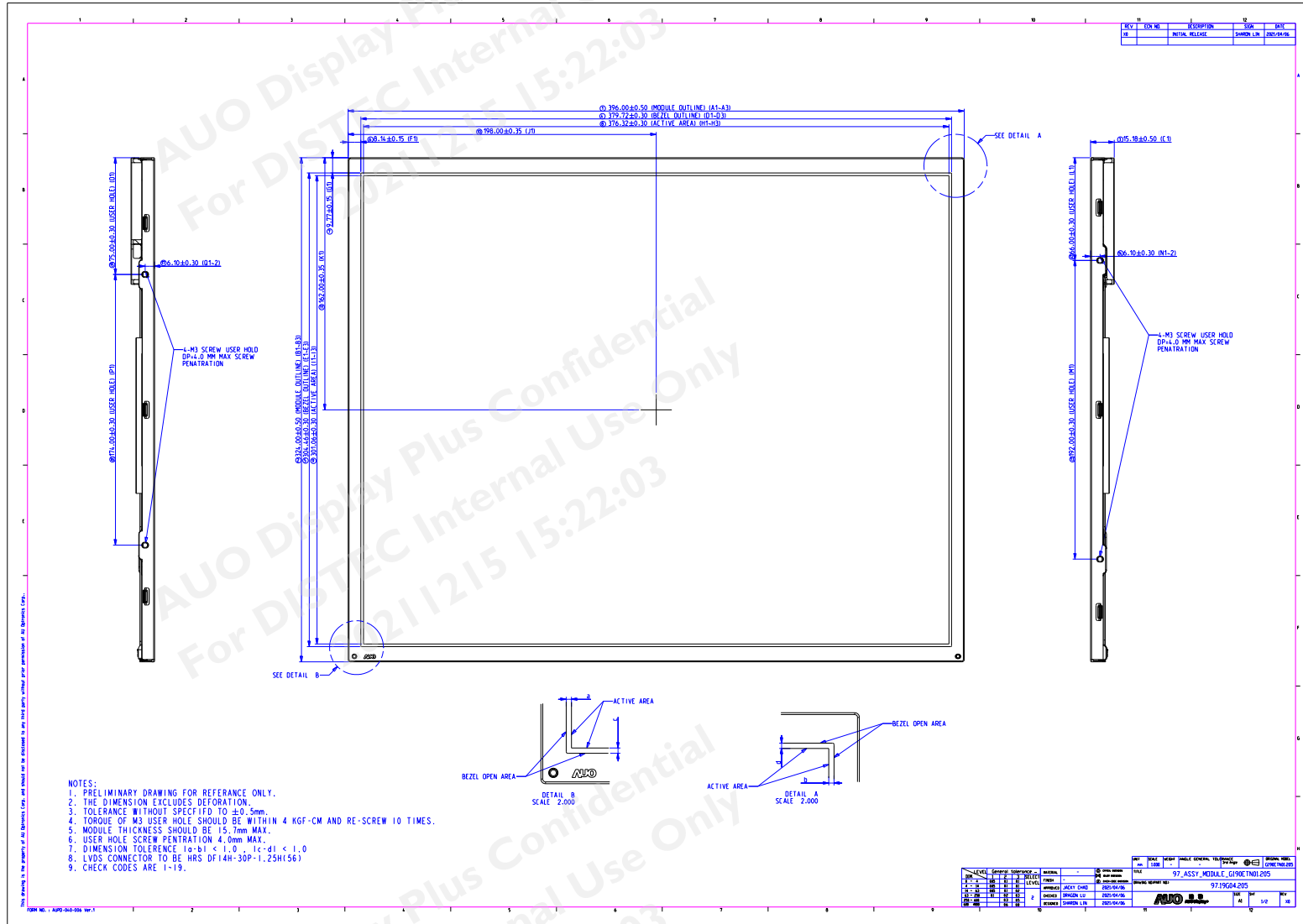
	MAX_SHIPPING BY AIR	MAX_SHIPPING BY SEA	MAX_SHIPPING BY SEA_HQ
MODULE/CARTON	8	8	8
CARTON/LAYER	8	8	8
LAYER/PALLET	3	3+1	3+2
MODULE/PALLET	192	256	320
CARTON SIZE(MM)	489(L)*293(W)*420(H)	489(L)*293(W)*420(H)	489(L)*293(W)*420(H)
PALLET SIZE(MM)	1180(L)*980(W)*132(H)	1180(L)*980(W)*132(H)	1180(L)*980(W)*132(H)
TOTAL PALLET HEIGHT(MM)	1392	1944	2364
TOTAL PALLET WEIGHT(KG)	445	602	746

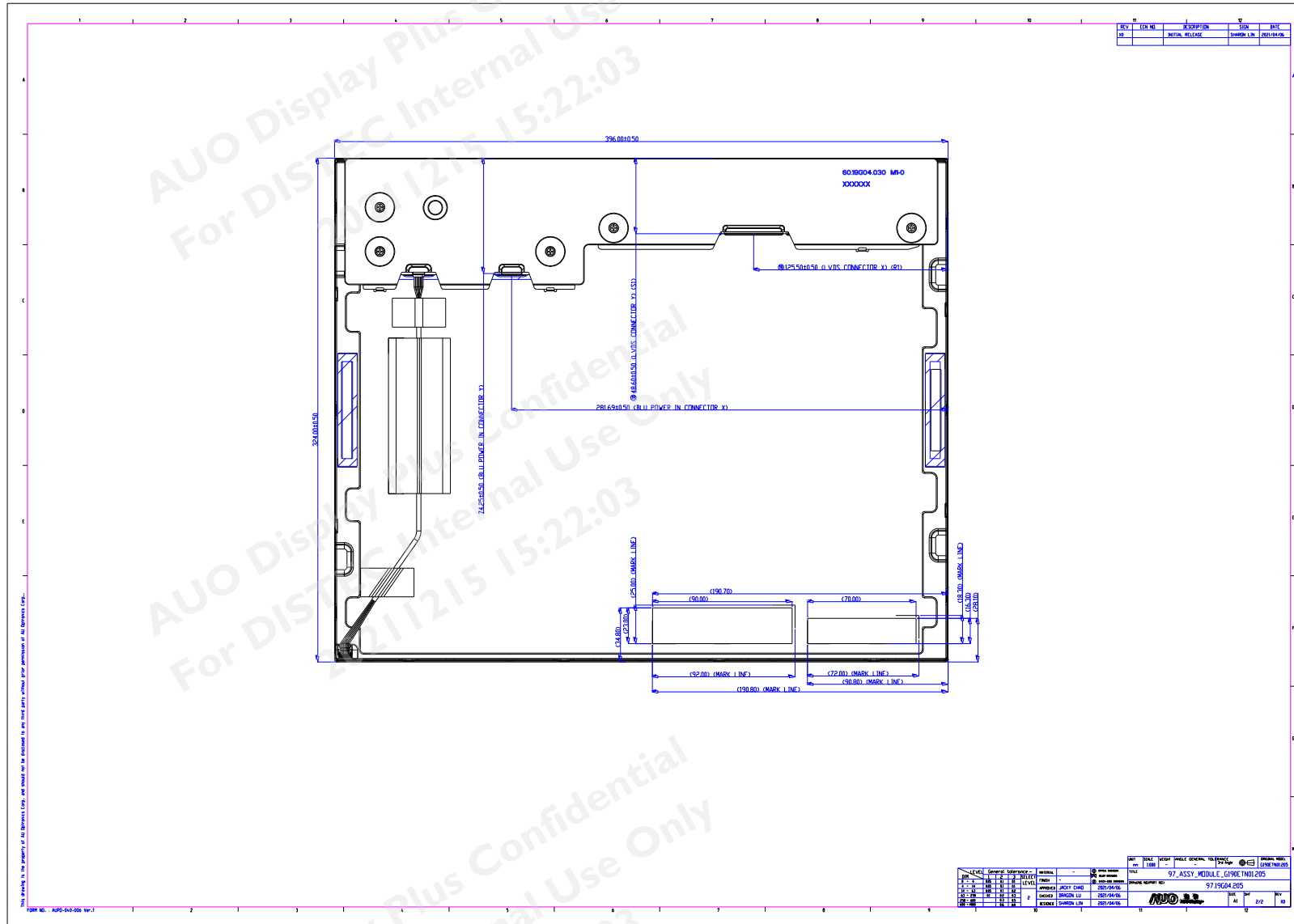
ONE PALLET SHIPMENT EXAMPLE SHIPPING BY AIR USED

TWO PALLET SHIPMENT EXAMPLE SHIPPING BY SEA USED

TWO PALLET SHIPMENT EXAMPLE SHIPPING BY SEA_HQ USED

10. Outline Drawing





Our company network supports you worldwide with offices in Germany, Austria, Switzerland, the UK and the USA. For more information please contact:

Headquarters

Germany



FORTEC Elektronik AG

Augsburger Str. 2b
82110 Germering

Phone: +49 89 894450-0
E-Mail: info@fortecag.de
Internet: www.fortecag.de

Fortec Group Members

Austria



Distec GmbH Office Vienna

Nuschinggasse 12
1230 Wien

Phone: +43 1 8673492-0
E-Mail: info@distec.de
Internet: www.distec.de

Germany



Distec GmbH

Augsburger Str. 2b
82110 Germering

Phone: +49 89 894363-0
E-Mail: info@distec.de
Internet: www.distec.de

Switzerland



ALTRAC AG

Bahnhofstraße 3
5436 Würenlos

Phone: +41 44 7446111
E-Mail: info@altrac.ch
Internet: www.altrac.ch

United Kingdom



Display Technology Ltd.

Osprey House, 1 Osprey Court
Hichingbrooke Business Park
Huntingdon, Cambridgeshire, PE29 6FN

Phone: +44 1480 411600
E-Mail: info@displaytechnology.co.uk
Internet: www.displaytechnology.co.uk

USA



Apollo Display Technologies, Corp.

87 Raynor Avenue,
Unit 1 Ronkonkoma,
NY 11779

Phone: +1 631 5804360
E-Mail: info@apolloDisplays.com
Internet: www.apolloDisplays.com