

2D Drawing

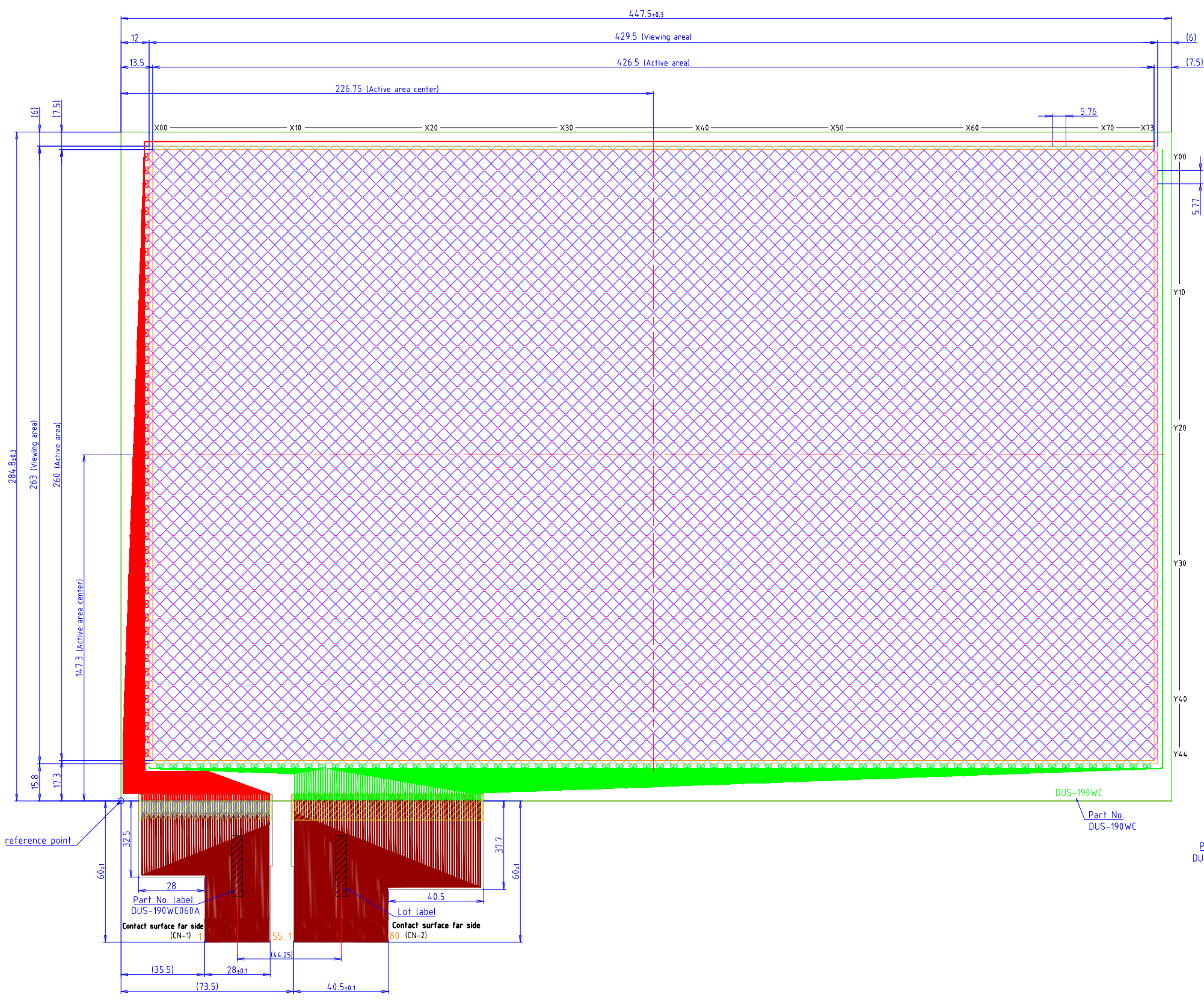
DMC

DUS-190WC060A

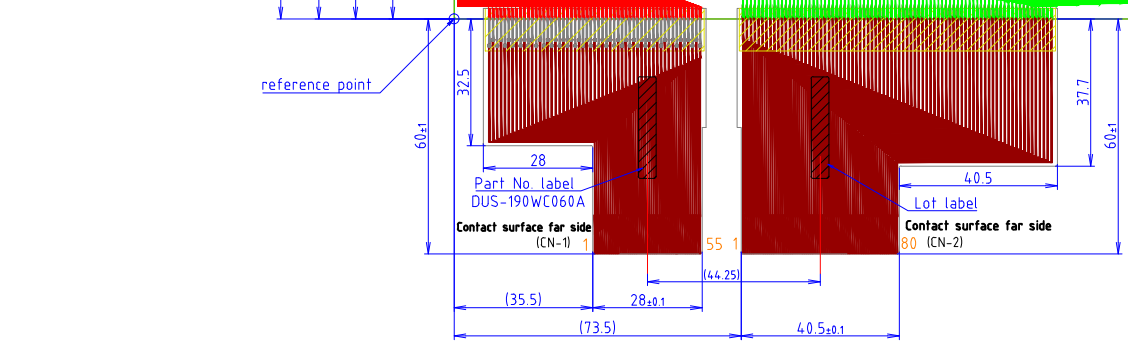
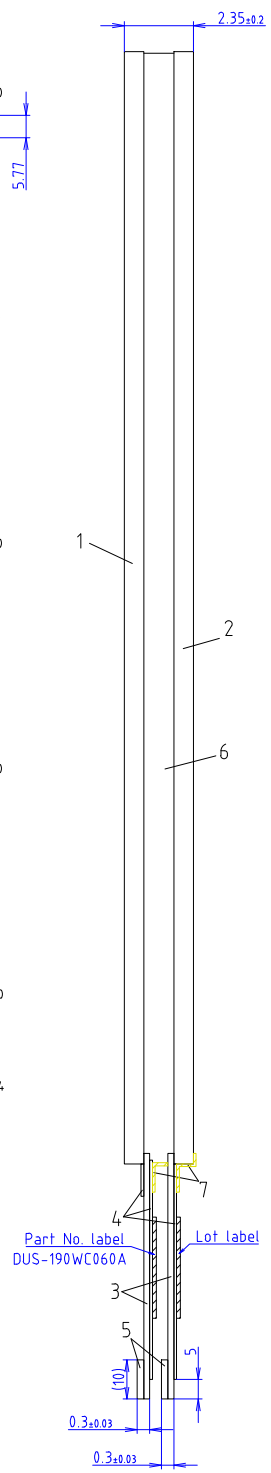
19.0" wide PCAP

TO-05-096R1.1

The information contained in this document has been carefully researched and is, to the best of our knowledge, accurate. However, we assume no liability for any product failures or damages, immediate or consequential, resulting from the use of the information provided herein. Our products are not intended for use in systems in which failures of product could result in personal injury. All trademarks mentioned herein are property of their respective owners. All specifications are subject to change without notice.



CN1 PinOut		CN2 PinOut	
1	NC	1	Dummy
2	NC	2	X00
3	NC	3	X01
4	NC	4	X02
5	NC	5	X03
6	NC	6	X04
7	NC	7	X05
8	NC	8	X06
9	Dummy	9	X07
10	Y00	10	X08
11	Y01	11	X09
12	Y02	12	X10
13	Y03	13	X11
14	Y04	14	X12
15	Y05	15	X13
16	Y06	16	X14
17	Y07	17	X15
18	Y08	18	X16
19	Y09	19	X17
20	Y10	20	X18
21	Y11	21	X19
22	Y12	22	X20
23	Y13	23	X21
24	Y14	24	X22
25	Y15	25	X23
26	Y16	26	X24
27	Y17	27	X25
28	Y18	28	X26
29	Y19	29	X27
30	Y20	30	X28
31	Y21	31	X29
32	Y22	32	X30
33	Y23	33	X31
34	Y24	34	X32
35	Y25	35	X33
36	Y26	36	X34
37	Y27	37	X35
38	Y28	38	X36
39	Y29	39	X37
40	Y30	40	X38
41	Y31	41	X39
42	Y32	42	X40
43	Y33	43	X41
44	Y34	44	X42
45	Y35	45	X43
46	Y36	46	X44
47	Y37	47	X45
48	Y38	48	X46
49	Y39	49	X47
50	Y40	50	X48
51	Y41	51	X49
52	Y42	52	X50
53	Y43	53	X51
54	Y44	54	X52
55	Dummy	55	X53
56	X54	56	X54
57	X55	57	X55
58	X56	58	X56
59	X57	59	X57
60	X58	60	X58
61	X59	61	X59
62	X60	62	X60
63	X61	63	X61
64	X62	64	X62
65	X63	65	X63
66	X64	66	X64
67	X65	67	X65
68	X66	68	X66
69	X67	69	X67
70	X68	70	X68
71	X69	71	X69
72	X70	72	X70
73	X71	73	X71
74	X72	74	X72
75	X73	75	X73
76	Dummy	76	Dummy
77	NC	77	NC
78	NC	78	NC
79	NC	79	NC
80	NC	80	NC



REMARKS	
TAIL PATTERN PITCH	0.5mm
TAIL PATTERN WIDTH	Cu 0.2mm-0.3mm
	- mm
CIRCUIT PATTERN WIDTH	Ag 0.1mm
	- mm
OR: TOP CIRCUIT, GREEN: BOTTOM CIRCUIT.	
OPURPLE: TOP CIRCUIT, LIGHT BLUE: BOTTOM CIRCUIT.	
O TOLERANCE=0.3mm EXCEPT WHERE INDICATED.	

ITEM	MATERIAL	REMARKS
1	TOP ITO GLASS	t=1.1mm
2	BOTTOM ITO GLASS	t=1.1mm
3	FPC	POLYIMIDE 25μm COPPER 18μm NICKEL PLATION 3μm SOLDER 8.1μm
4	REINFORCEMENT FILM	POLYESTER 25μm
5	STIFFENER	POLYESTER 188μm
6	ADHESIVE SHEET	150μm
7	PROTECTION TAPE	POLYESTER 25μm

CUSTOMER APPROVAL

DATE: / /

PART No.		APPROVED	CHECKED	CHECKED	TRACED	DESIGNED
DUS-190WC060A		May/19/15	FUJITA		May/19/15	HIRATA
TYPE						
May/19/15	FIRST EDITION	HIRATA	Project Capacitive Touch Screen			
DATE	REVISION	NAME	CIRCUIT DRAWING			DMC Co., Ltd.

Our company network supports you worldwide with offices in Germany, Great Britain, Turkey and the USA.
For more information please contact:



DATA DISPLAY GROUP

A **FORTEC** GROUP MEMBER

Distec GmbH

Augsburger Str. 2b
82110 Germering
Germany

Phone: +49 (0)89 / 89 43 63-0
Fax: +49 (0)89 / 89 43 63-131
E-Mail: info@datadisplay-group.de
Internet: www.datadisplay-group.de

Display Technology Ltd.

5 The Oaks Business Village
Revenge Road, Lordswood
Chatham, Kent, ME5 8LF
United Kingdom
Phone: +44 (0)1634 / 67 27 55
Fax: +44 (0)1634 / 67 27 54
E-Mail: info@displaytechnology.co.uk
Internet: www.datadisplay-group.com

Sales Partner:

DATA DISPLAY BİLİŞİM TEKNOLOJİLERİ İÇ VE DIŞ TİCARET LİMİTED ŞİRKETİ

Barbaros Mh. Ak Zambak Sk. A Blok D:143
34376 Ataşehir / Istanbul
Turkey
Phone: +90 (0)216 / 688 04 68
Fax: +90 (0)216 / 688 04 69
E-Mail: info@data-display.com.tr
Internet: www.data-display.com.tr

FORTEC Elektronik AG

Lechwiesenstr. 9
86899 Landsberg am Lech
Germany

Phone: +49 (0)8191 / 911 72-0
Fax: +49 (0)8191 / 217 70
E-Mail: sales@fortecag.de
Internet: www.fortecag.de

Apollo Display Technologies, Corp.

87 Raynor Avenue,
Unit 1 Ronkonkoma,
NY 11779
United States of America
Phone: +1 631 / 580-43 60
Fax: +1 631 / 580-43 70
E-Mail: info@apolloDisplays.com
Internet: www.apolloDisplays.com